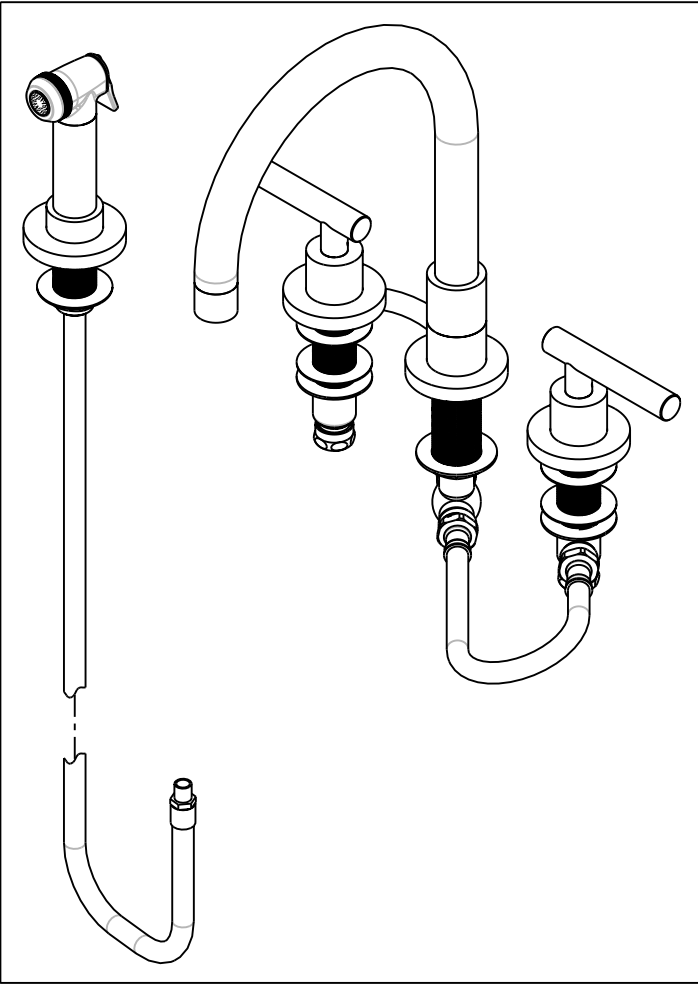


BILL OF MATERIAL (CURRENT LEVEL)				
ITEM	PT/ASSY	DESCRIPTION	TYPE	QTY.
1	1-291	KITCHEN VEG SPRAY	ASSEMBLY	1
2	1-541	VALVE KIT - 943	ASSEMBLY	1
3	3-246	KITCHEN SPOUT ASM	ASSEMBLY	1
4	3-227LC	HANDLE TRIM ASM - COLD	ASSEMBLY	1
5	3-227LH	HANDLE TRIM ASM - HOT	ASSEMBLY	1



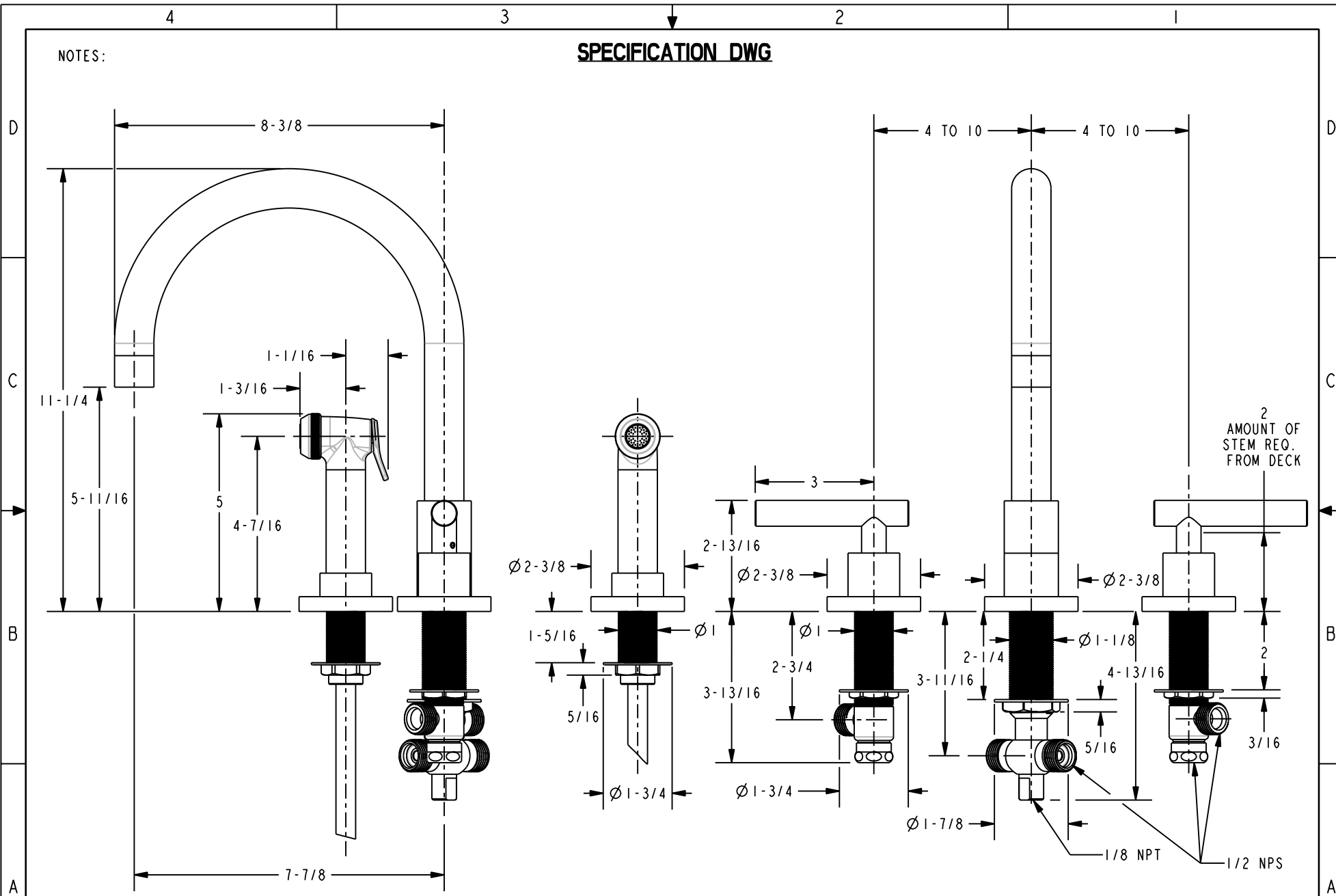
BRASSTECH 2001 E. CARNEGIE AVE
 INCORPORATED SANTA ANA, CA 92705
 (949) 417-5207

KITCHEN FCT W/VEG SPRY

ASSY. NO. 9911L -
 SCALE 0.200 REF. - SHEET 1 OF 1 COPYRIGHT ©

SPECIFICATION DWG

NOTES:



DIMENSIONS ARE IN INCHES AND AN APPROXIMATION OF A TYPICAL INSTALLATION

BRASSTECH 2001 E. CARNEGIE AVE.
INCORPORATED SANTA ANA, CA 92705
(949) 417-5207

KITCHEN FCT W/VEG SPRY

ASSY. NO. 991IL_SPEC

SCALE 0.300

REF. -

SHEET 1 OF 1

COPYRIGHT ©