

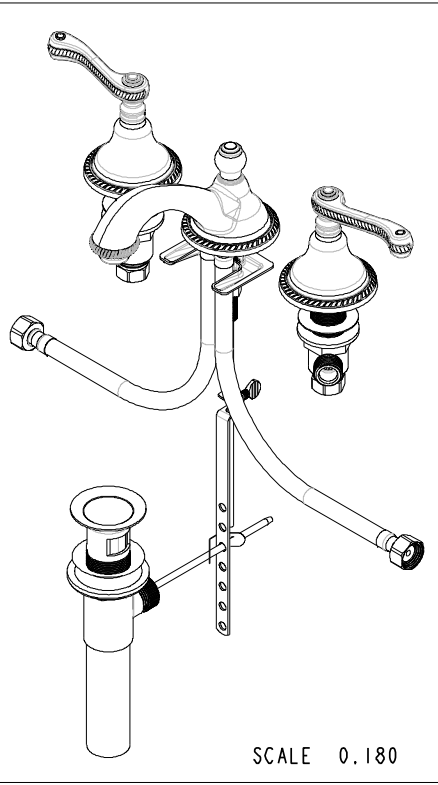
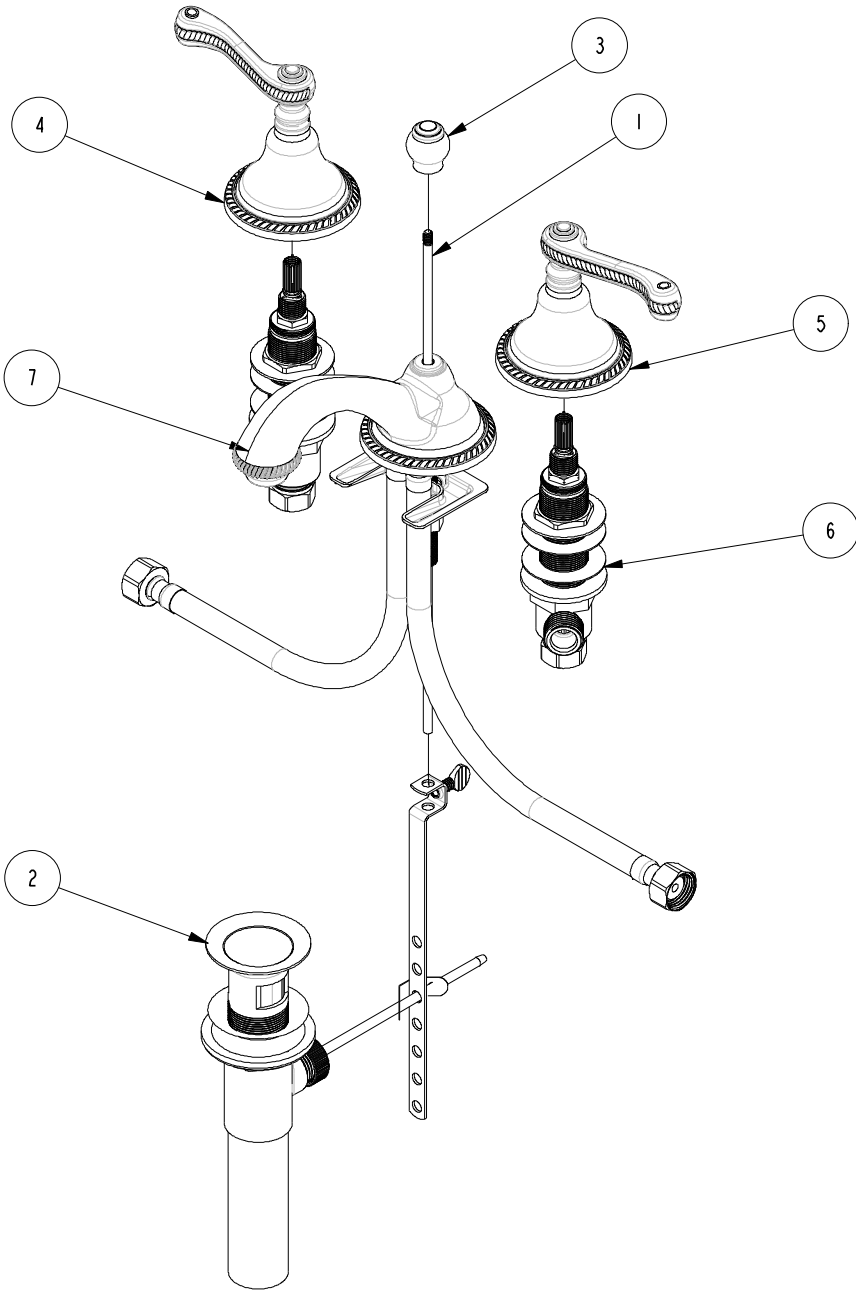
4

3

2

BILL OF MATERIAL (CURRENT LEVEL)

ITEM	PT/ASSY	DESCRIPTION	TYPE	QTY.
1	10288	3/16" POP UP ROD	PART	1
2	325	POP UP ASSEMBLY	ASSEMBLY	1
3	10010	POP-UP KNOB	PART	1
4	3-188H	TRIM KIT - STOP VALVE	ASSEMBLY	1
5	3-188C	TRIM KIT - STOP VALVE/COLD	ASSEMBLY	1
6	1-525	W/S VALVE INSTALLATION	ASSEMBLY	1
7	3-345	WIDE SPREAD SPOUT ASM	ASSEMBLY	1



COPYRIGHT 2005 BRASSTECH, INC. THESE DRAWINGS AND THE DESIGNS DEPICTED HEREIN ARE THE PROPRIETARY PROPERTY OF BRASSTECH. ANY USE OR REPRODUCTION IS SUBJECT TO THE EXPRESS APPROVAL OF BRASSTECH. UNAUTHORIZED USE IS STRICTLY PROHIBITED. ALL RIGHTS RESERVED.

BRASSTECH
 INCORPORATED
 2001 E. CARNEGIE AVE.
 SANTA ANA, CA 92705
 (949) 417-5207

LAVATORY FAUCET

ASSY. NO.	980	
SCALE 0.250	REF. -	SHEET 1 OF 2
REV	REV DESC	DATE
D	EN-1616	09/13/10
C	EN-1005	10/22/09
B	MOD SPOUT INLET/OUTLET	04/03/00

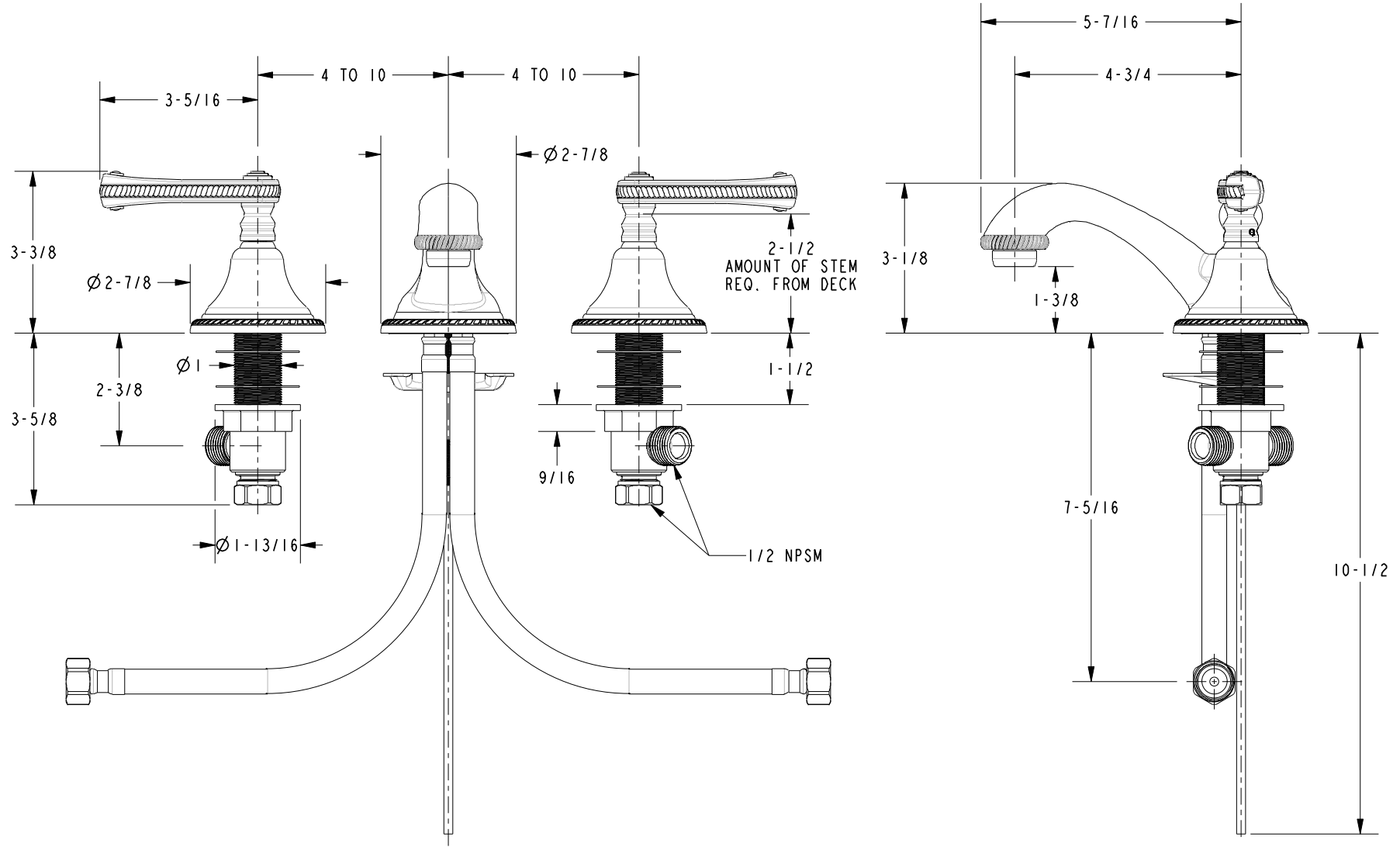
4

3

2

1

SPECIFICATION DWG



DIMENSIONS ARE IN INCHES AND AN APPROXIMATION OF A TYPICAL INSTALLATION

COPYRIGHT 2005 BRASSTECH, INC. THESE DRAWINGS AND THE DESIGNS DEPICTED HEREIN ARE THE PROPRIETARY PROPERTY OF BRASSTECH. ANY USE OR REPRODUCTION IS SUBJECT TO THE EXPRESS APPROVAL OF BRASSTECH. UNAUTHORIZED USE IS STRICTLY PROHIBITED. ALL RIGHTS RESERVED.

BRASSTECH		2001 E. CARNEGIE AVE.
INCORPORATED		SANTA ANA, CA 92705
		(949) 417-5207
DWG NO.	980	REV D
SCALE 0.320	REF. -	SHEET 2 OF 2