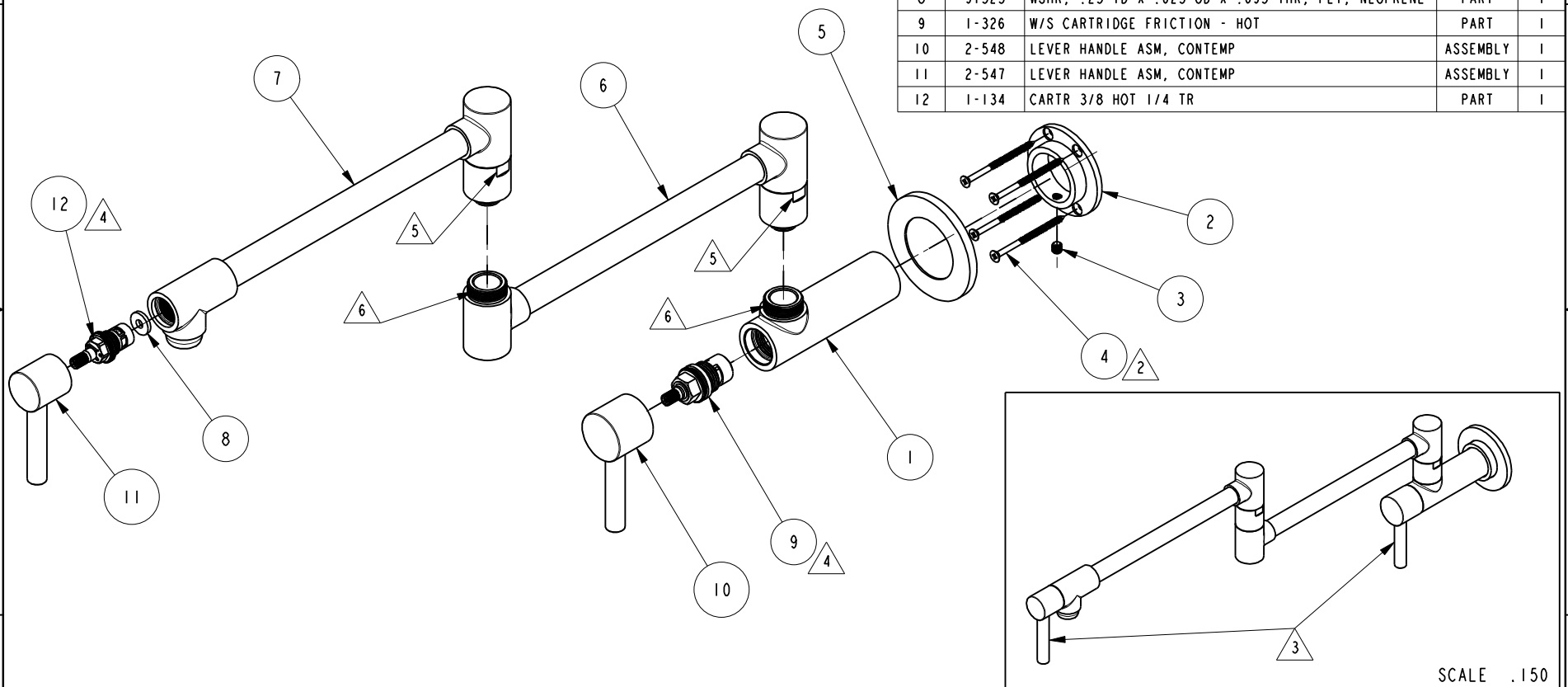


NOTES:

- (NI) 1. FIT / FORM / FUNCTION SHALL FOLLOW PS-E.008.
- 2. PACK THESE ITEMS IN A PLASTIC BAG.
- 3. HANDLE IN CLOSE POSITION.
- 4. INSTALLATION TORQUE 11-14 LB-FT.
- 5. INSTALLATION TORQUE 4-6 LB-FT.
- 6. APPLY LOCTITE 680.

BILL OF MATERIAL (CURRENT LEVEL)

ITEM	PT/ASSY	DESCRIPTION	TYPE	QTY.
1	11330	VALVE BODY, WALL-END	PART	1
2	11309	FLANGE, MOUNTING	PART	1
3	92231	SCRW, 1/4-20 X 1/4 SKT HD CUP PT SS	PART	1
4	92223	SCRW, #8 X 2-1/2 PHL FLT HD SS	PART	4
5	2-556	FLANGE ASM, CONTEMP	ASSEMBLY	1
6	2-553	LOWER ARM ASM, CONTEMP	ASSEMBLY	1
7	2-552	UPPER ARM ASM, CONTEMP	ASSEMBLY	1
8	91325	WSHR, .23 ID X .625 OD X .093 THK, FLT, NEOPRENE	PART	1
9	1-326	W/S CARTRIDGE FRICTION - HOT	PART	1
10	2-548	LEVER HANDLE ASM, CONTEMP	ASSEMBLY	1
11	2-547	LEVER HANDLE ASM, CONTEMP	ASSEMBLY	1
12	1-134	CARTR 3/8 HOT 1/4 TR	PART	1



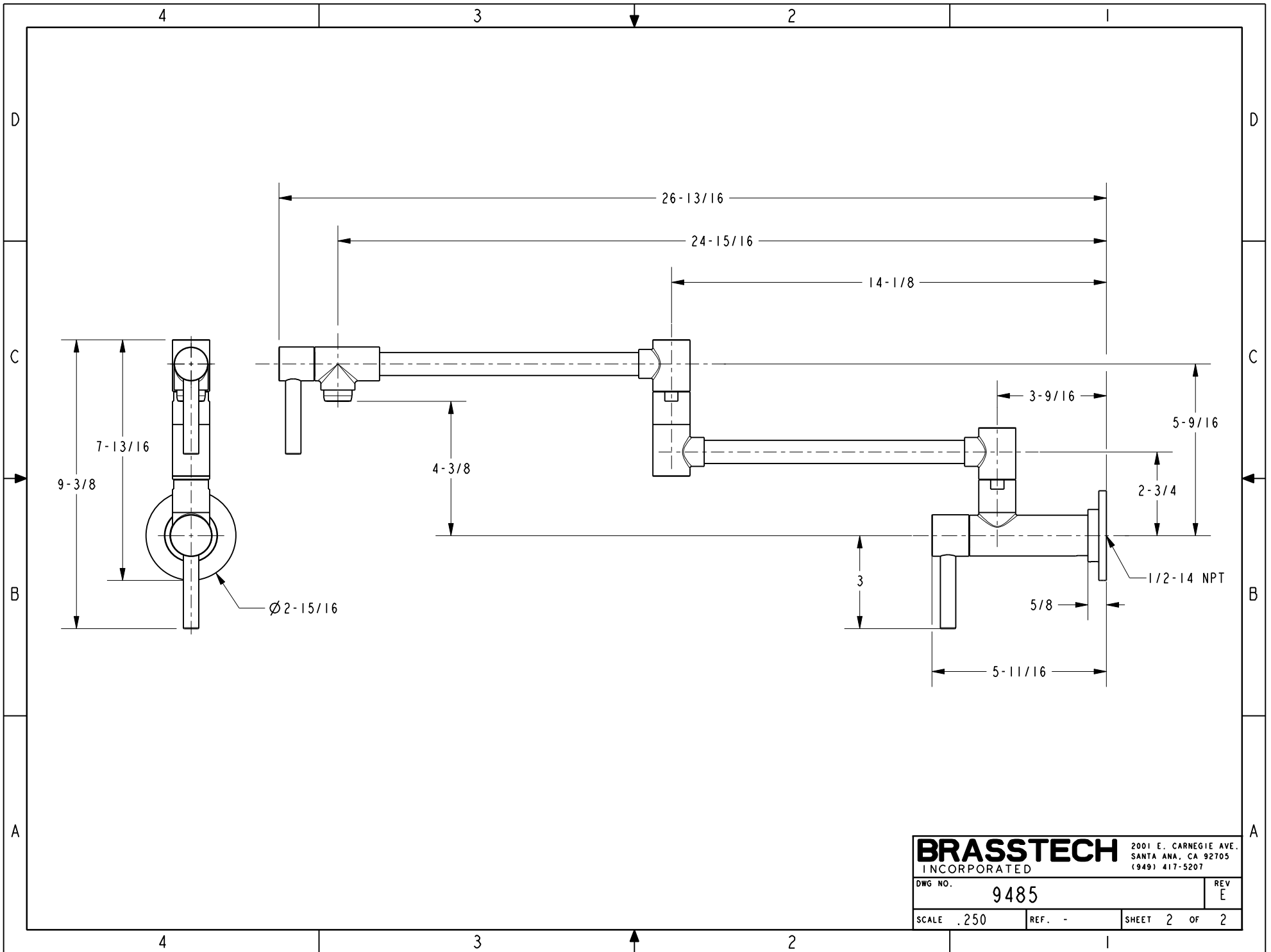
ZONE	REV	DESCRIPTION	DATE	APPROVED
-	E	EN-3495	03/26/18	J.A.
-	D	EN-2874	10/01/15	N.S.
-	C	EN-2528	05/08/13	-
-	B	EO-0770	10/12/06	-
-	A	EO-0701	08/25/06	-
-	-	EO-0641	01/18/06	-

COPYRIGHT 2005 BRASSTECH, INC. THESE DRAWINGS AND THE DESIGNS DEPICTED HEREIN ARE THE PROPRIETARY PROPERTY OF BRASSTECH. ANY USE OR REPRODUCTION IS SUBJECT TO THE EXPRESS APPROVAL OF BRASSTECH. UNAUTHORIZED USE IS STRICTLY PROHIBITED. ALL RIGHTS RESERVED.

TESTING	ASSEMBLY	PLATING	POLISHING	MACHINING	TOOLING FIXTURE #	APPLICATION
-	-	-	-	-	-	REMOVE ALL BURRS AND SHARP EDGES
-	-	-	-	-	-	NEXT ASSY USED ON

UNITS ARE: INCHES [MM]  
 TOLERANCES ARE:  
 FRACTIONS DECIMALS ANGLES  
 $\pm 1/16"$   $.X \pm .1$  [2.5]  $\pm 1"$   
 $.XX \pm .06$  [1.5]  
 (X.XXX) DENOTES CRITICAL DIMS.  
 ALL THREADS ARE CRITICAL  
 DRAWN JINSON 03/26/18  
 CHECKED J.A. 03/26/18  
 APPROVED J.A. 03/26/18

**BRASSTECH** 2001 CARNEGIE AVE. SANTA ANA, CA 92705 (949) 417-5207  
 INCORPORATED  
 POT FILLER, WALL, LEVER, CONTEMP  
 DWG NO. **9485** REV E  
 SCALE .250 REF. - SHEET 1 OF 2



<b>BRASSTECH</b>		2001 E. CARNEGIE AVE.	
INCORPORATED		SANTA ANA, CA 92705	
DWG NO. 9485		REV E	
SCALE .250	REF. -	SHEET 2 OF 2	