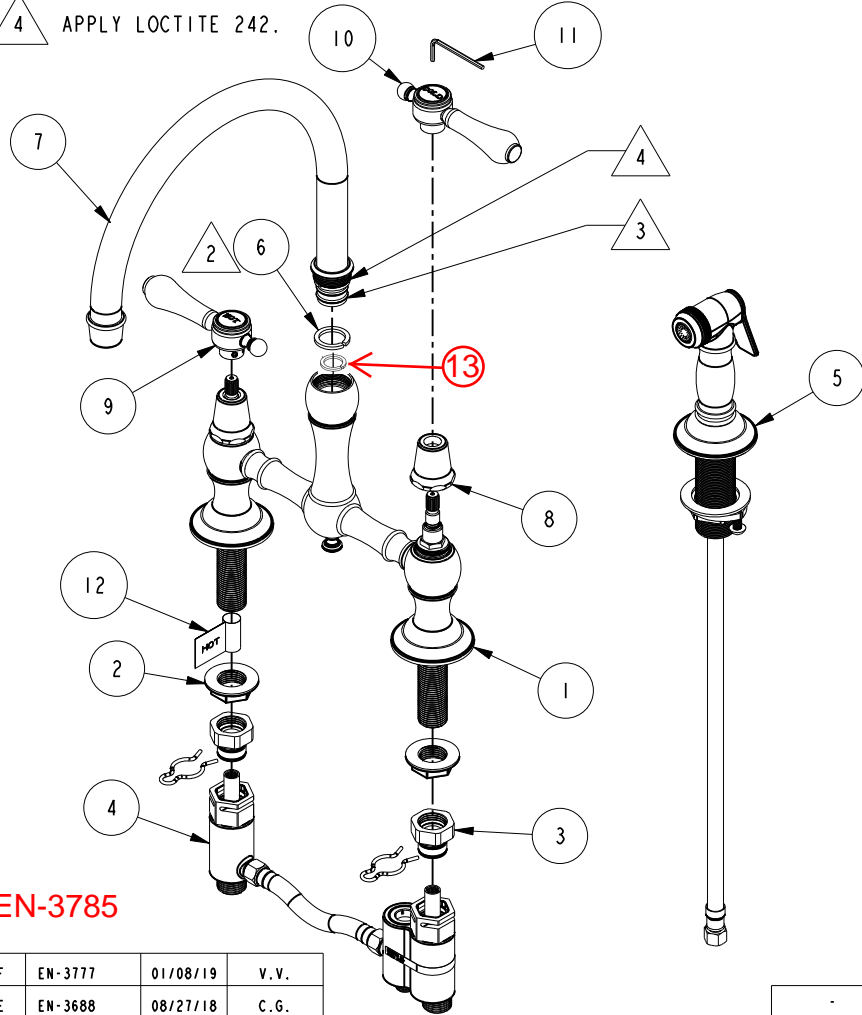


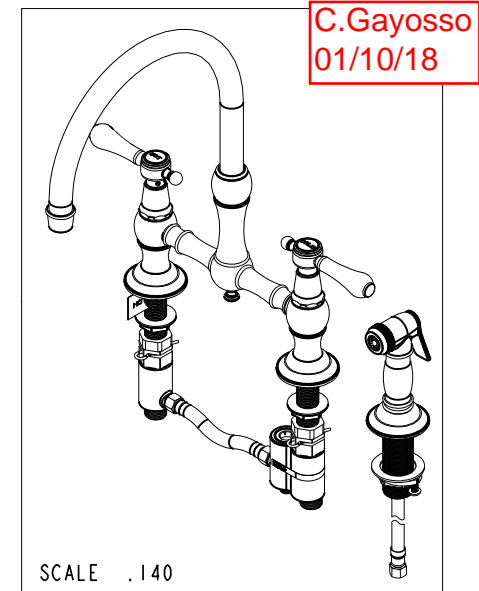
NOTES:

- (N1) 1. FIT / FORM / FUNCTION SHALL FOLLOW PS-E.008.
- 2 TRIM 3/8" OF SPLIT RING AND PLACE BETWEEN SPOUT AND BODY.
- 3 APPLY THIN COAT OF SILICON GREASE ON O-RINGS.
- 4 APPLY LOCTITE 242.



BILL OF MATERIAL (CURRENT LEVEL)

ITEM	PT/ASSY	DESCRIPTION	TYPE	QTY.
1	3-522	KITCHEN BRIDGE BODY ASM, SIDE SPRAY	ASSEMBLY	1
2	91061	FLANGE NUT 1/2-14 NPSM	PART	2
3	1-152	SEAT ASSY, UPPER	ASSEMBLY	2
4	2-472	DIVERTER ASSY, BRIDGE FAUCET	ASSEMBLY	1
5	129	KITCHEN SPRAY HEAD	ASSEMBLY	1
6	91111	SPLIT RING 3/4 X 1 NYLON	PART	1
7	3-525	SPOUT ASSEMBLY	ASSEMBLY	1
8	12259	HANDLE BONNET - TUB FILLER	PART	2
9	2-134	HANDLE ASSEMBLY - HOT	ASSEMBLY	1
10	2-133	HANDLE ASSEMBLY - COLD	ASSEMBLY	1
11	10159	HEX KEY, 3/32 ALLOY STEEL	PART	1
12	98044	LABEL - HOT	PART	1
13	91013	WSHR DLR .705X.810X.030	PART	1



-	F	EN-3777	01/08/19	V.V.
-	E	EN-3688	08/27/18	C.G.
-	D	EN-3675	08/02/18	C.G.
-	C	EN-3612	05/23/18	JM
-	B	EN-2909	06/19/17	AN
-	A	EN-3039c	05/24/16	AN
-	-	EN-2744	12/11/14	AN
ZONE	REV	DESCRIPTION	DATE	APPROVED

COPYRIGHT 2005 BRASSTECH, INC. THESE DRAWINGS AND THE DESIGNS DEPICTED HEREIN ARE THE PROPRIETARY PROPERTY OF BRASSTECH. ANY USE OR REPRODUCTION IS SUBJECT TO THE EXPRESS APPROVAL OF BRASSTECH. UNAUTHORIZED USE IS STRICTLY PROHIBITED. ALL RIGHTS RESERVED.

TESTING	-	-	-
ASSEMBLY	-	-	-
PLATING	-	-	-
POLISHING	-	NEXT ASSY	USED ON
MACHINING	-	APPLICATION	
TOOLING FIXTURE #		REMOVE ALL BURRS AND SHARP EDGES	

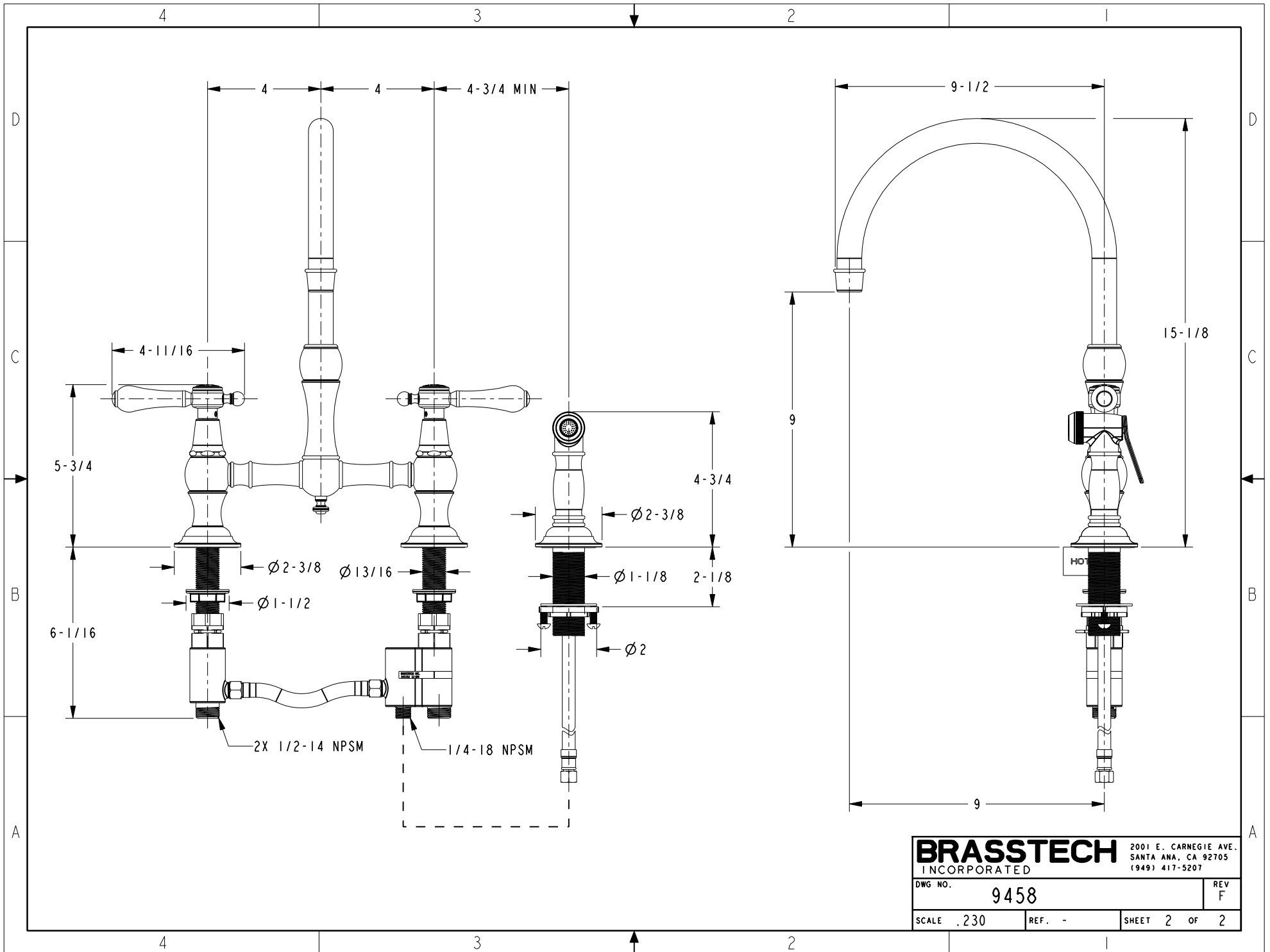
UNITS ARE: INCHES [MM]	
TOLERANCES ARE:	
FRACTIONS	DECIMALS
±1/16"	±.005
.X ±.1	[2.5]
.XX ±.06	[1.5]
(X.XXX) DENOTES CRITICAL DIMS. ALL THREADS ARE CRITICAL	
DRAWN	AN 05/24/16
CHECKED	AN 05/24/16
APPROVED	AN 05/24/16

**BRASSTECH** INCORPORATED  
 2001 CARNEGIE AVE.  
 SANTA ANA, CA 92705  
 (949) 417-5207

**KITCHEN BRIDGE FAUCET W/  
 SIDE SPRAY**

DWG NO. **9458** REV F

SCALE .185 REF. - SHEET 1 OF 2



<b>BRASSTECH</b>		2001 E. CARNEGIE AVE.	
INCORPORATED		SANTA ANA, CA 92705	
DWG NO. 9458		REV F	
SCALE .230	REF. -	SHEET 2 OF 2	