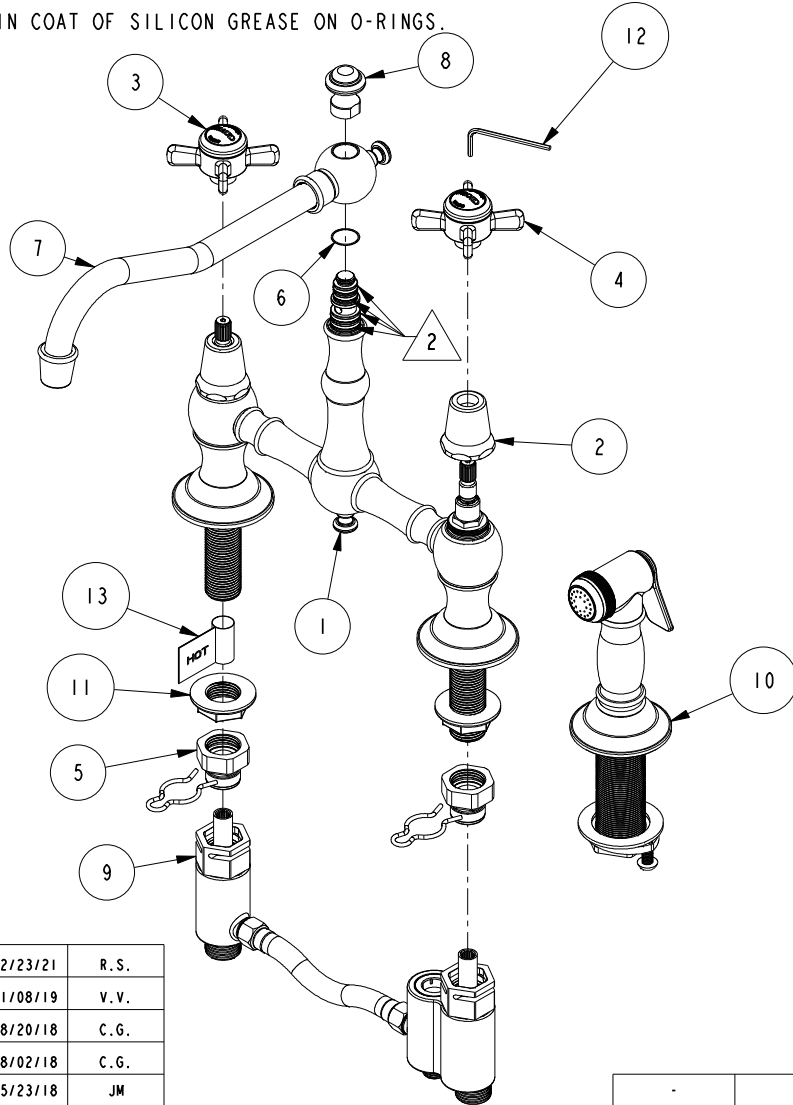


NOTES:

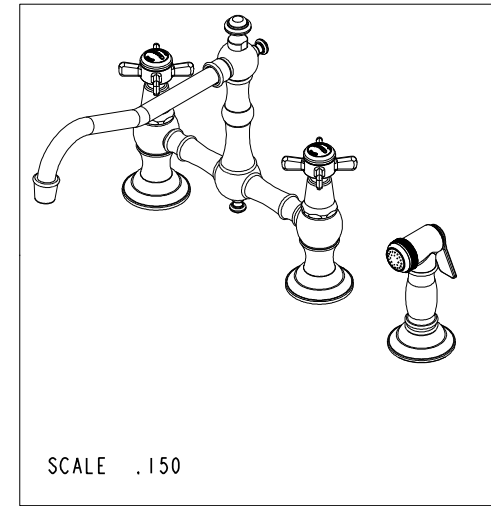
1. TO INSPECT ASSEMBLY, FOLLOW FIRST ARTICLE AND IN PROCESS INSPECTION SHEET.

2. APPLY THIN COAT OF SILICON GREASE ON O-RINGS.



BILL OF MATERIAL (CURRENT LEVEL)

ITEM	PT/ASSY	DESCRIPTION	TYPE	QTY.
1	3-300	KITCHEN BRIDGE BODY ASM W/ SPRAY	ASSEMBLY	1
2	12259	HANDLE BONNET - TUB FILLER	PART	2
3	2-114	THIN BLADE X - HANDLE HOT	ASSEMBLY	1
4	2-115	THIN BLADE X - HANDLE COLD	ASSEMBLY	1
5	1-152	SEAT ASSY, UPPER	ASSEMBLY	2
6	91012	WSHR, .595 ID X .656 OD X .01 THK, FLT	PART	1
7	3-299	KITCHEN SPOUT ASSY	ASSEMBLY	1
8	10318	FINIAL, NUT	PART	1
9	2-472	DIVERTER ASSY, BRIDGE FAUCET	ASSEMBLY	1
10	129	KITCHEN SPRAY HEAD	ASSEMBLY	1
11	91061	FLANGE NUT 1/2-14 NPSM	PART	2
12	10159	HEX KEY, 3/32 ALLOY STEEL	PART	1
13	98044	LABEL - HOT	PART	1



-	J	EN-4300f	02/23/21	R.S.
-	H	EN-3777	01/08/19	V.V.
-	G	EN-3688	08/20/18	C.G.
-	F	EN-3675	08/02/18	C.G.
-	E	EN-3612	05/23/18	JM
-	D	EN-2909	06/19/17	AN
-	C	EN-1919o	08/12/14	VV
-	B	EO-0514	06/02/05	-
-	A	EO-0449	11/11/04	-
-	-	EO-0433	10/06/04	-
ZONE	REV	DESCRIPTION	DATE	APPROVED

COPYRIGHT 2005 BRASSTECH, INC. THESE DRAWINGS AND THE DESIGNS DEPICTED HEREIN ARE THE PROPRIETARY PROPERTY OF BRASSTECH. ANY USE OR REPRODUCTION IS SUBJECT TO THE EXPRESS APPROVAL OF BRASSTECH. UNAUTHORIZED USE IS STRICTLY PROHIBITED. ALL RIGHTS RESERVED.

TESTING	-	-	-
ASSEMBLY	-	-	-
PLATING	-	-	-
POLISHING	-	NEXT ASSY	USED ON
MACHINING	-	APPLICATION	
TOOLING FIXTURE #	REMOVE ALL BURRS AND SHARP EDGES		

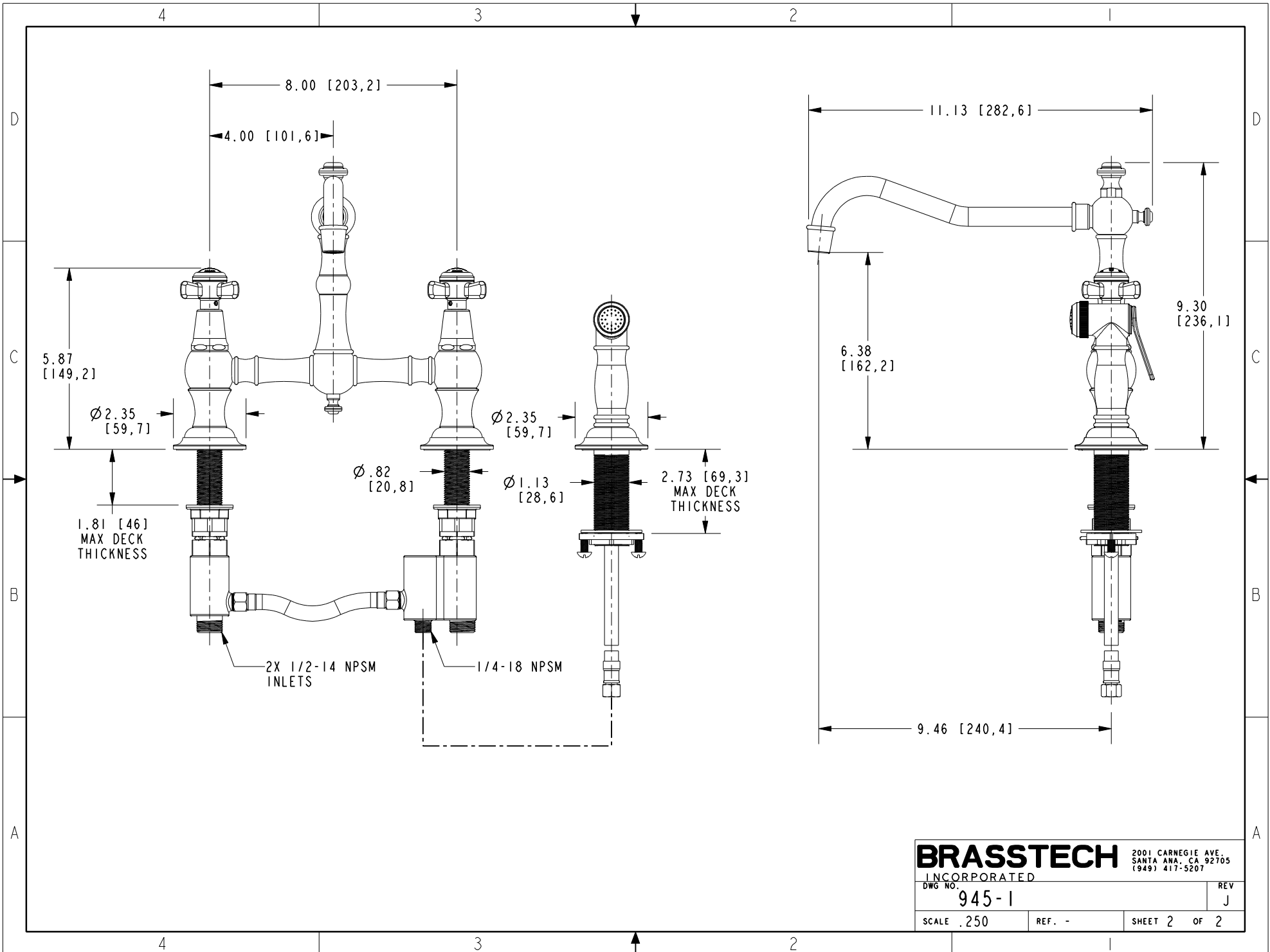
UNITS ARE: INCHES [MM]	
TOLERANCES ARE:	
FRACTIONS	DECIMALS
±1/16"	.X ±.1 [2.5]
	.XX ±.06 [1.5]
(X.XXX) DENOTES CRITICAL DIMS.	
ALL THREADS ARE CRITICAL	
DRAWN	AN 05/17/17
CHECKED	AN 05/17/17
APPROVED	AN 05/17/17

BRASSTECH 2001 CARNEGIE AVE.
INCORPORATED SANTA ANA, CA 92705
(949) 417-5207

**KITCHEN BRIDGE FAUCET W/
SPRAY**

DWG NO. **945-1** REV **J**

SCALE .225 REF. - SHEET | OF 2



BRASSTECH 2001 CARNEGIE AVE.
 INCORPORATED SANTA ANA, CA 92705
 (949) 417-5207

DWG NO.	945-1	REV	J
SCALE	.250	REF.	-
SHEET 2		OF 2	