

Kobi

Model # 8889

Kobi 24in Square Planter



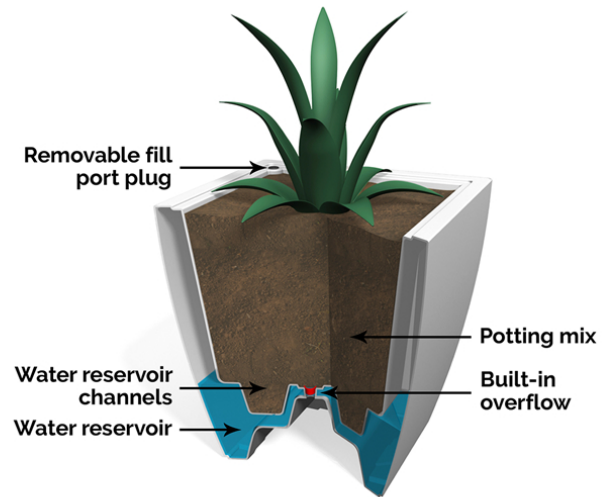
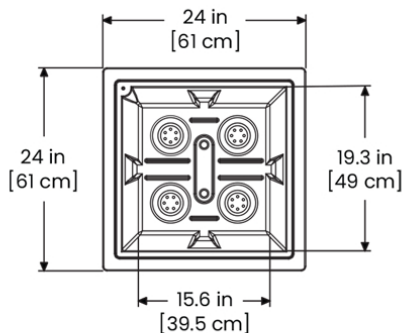
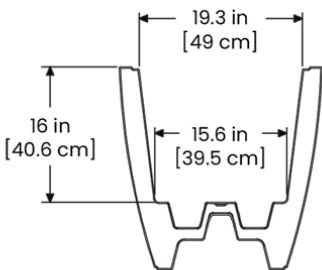
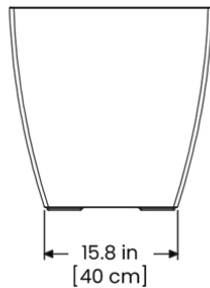
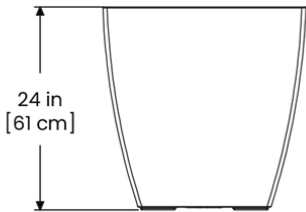
DESCRIPTION

The Kobi 24x24 Square Planter features clean modern lines. The durable design is produced with high-grade polyethylene and is built to last year-round. Enhance your home, building or office with this strong contemporary planter.

- Textured finish for increased durability
- Double wall design with built-in circular water reservoir channels
- Removable fill port plug for direct access to water reservoir
- Hidden overflow drainage (*optional plug for indoor use*)
- Warranty: 5-Yr Commercial Use

PRODUCT DIMENSIONS

Outside Dimensions: 24in L x 24in W x 24in H (61cm x 61cm x 61cm)
Inside Dimensions: 19.3in L x 19.3in W x 16in D (49cm x 49cm x 40.6cm)
Soil Capacity: 20 Gallons (75 Liters)
Water Reservoir Capacity: 7.9 Gallons (30 Liters)
Wall Thickness: 0.16in (4mm)
Part Weight: 22lbs (10kg)
Material: Polyethylene



MAYNE[®]
Outdoor Products of Distinction

7024 Kilbourne Rd - Unit A
London, ON N6P 1K6
866-363-8834 | gomayne.com
customerservice@gomayne.com