

INSTALLATION INSTRUCTIONS

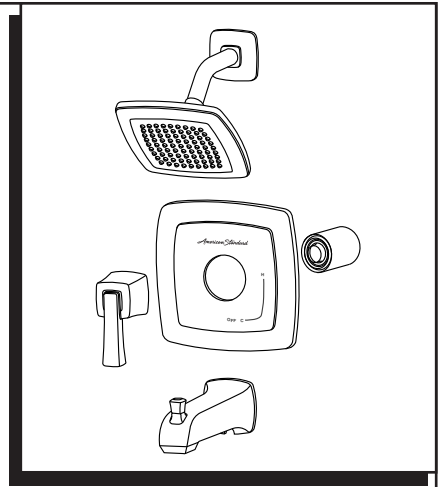
Townsend® Pressure Balancing Bath and Shower Trim Kit

TU353500
TU353501
TU353502
TU353507
TU353508

Thank you for selecting American Standard...
the benchmark of fine quality for over 100 years.

To ensure that your installation proceeds smoothly-please
read these instructions carefully before you begin.

For use with shower heads rated at 4.9 L/min (1.3 gpm) or higher.



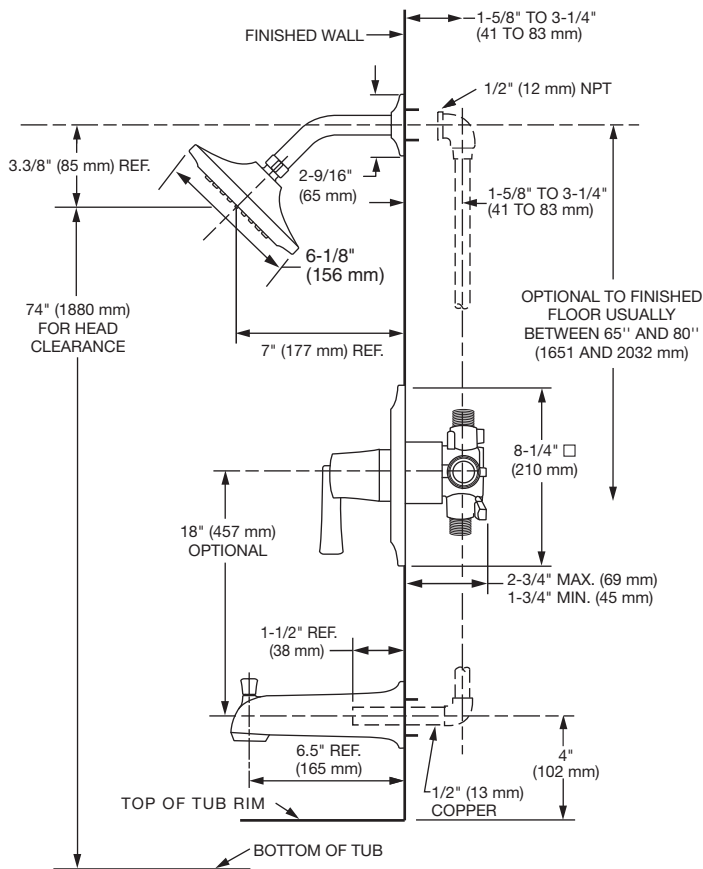
Certified to comply with ANSI A112.18.1M

RECOMMENDED TOOLS



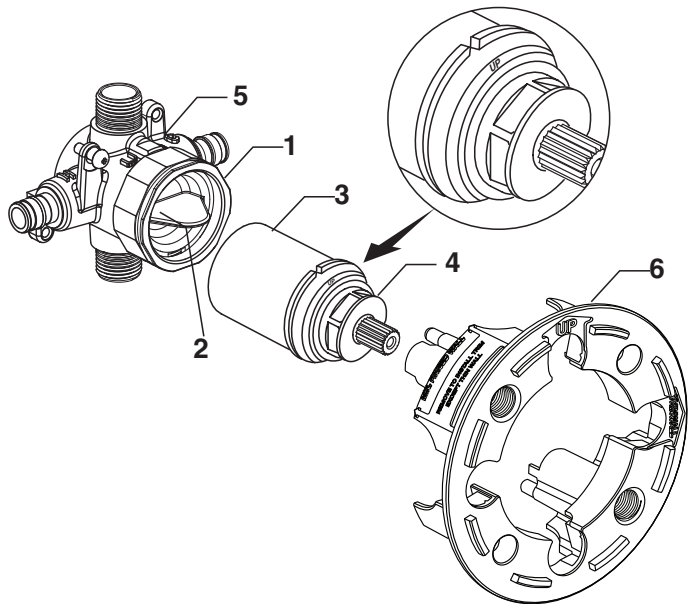
ROUGHING-IN DIMENSIONS

- To assure proper positioning in relation to wall.
Note roughing-in dimensions.



1 CARTRIDGE INSTALLATION

- Remove PLASTER GUARD (6)
(Keep it installed for thin wall Installation).
- Remove BONNET NUT (1) by unthreading it
Counter clockwise. Remove test CAP (2).
- Remove PROTECTIVE HOUSING (3) from
CARTRIDGE (4). Install with "UP" text on top.
- Reinstall BONNET NUT (1) onto VALVE BODY (5)
and tighten firmly with 12 Nm or 9 lbs/ft.



NOTE: Specified tightening torque
of BONNET NUT (1) is critical to
assure sealing function.