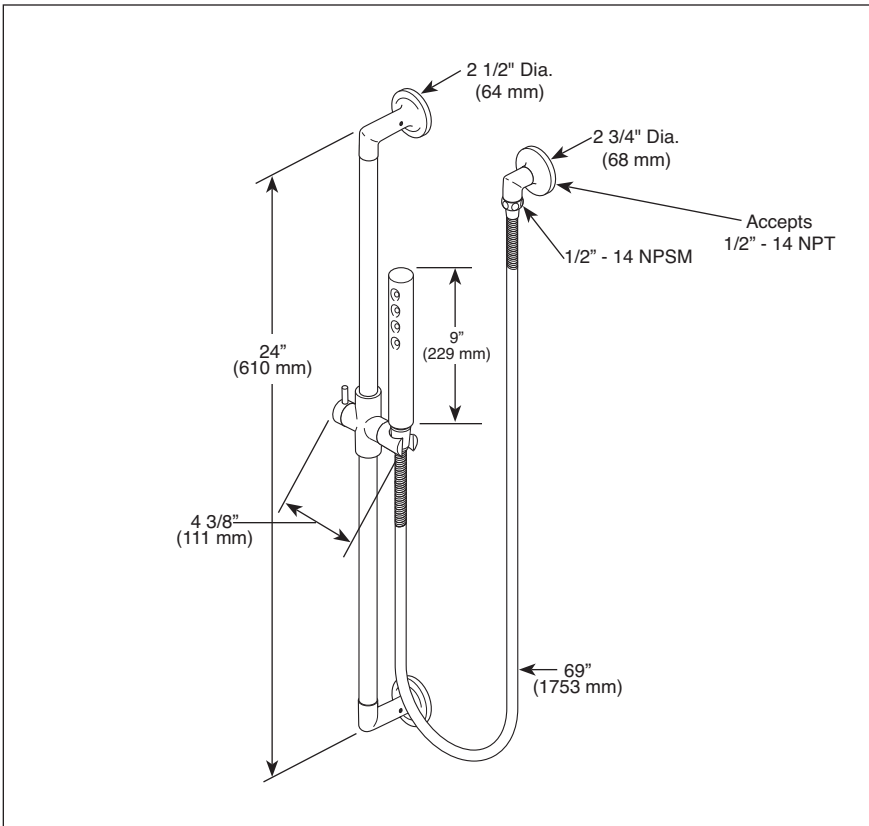


88775▲

Submitted Model No.: \_\_\_\_\_

Specific Features: \_\_\_\_\_



▲ Designate proper finish suffix

**Spray Pattern**



Full Spray

- ◆ Your Brizo Faucet hand shower incorporates a backflow protection system that has been tested to be in compliance with ASME A112.18.3. It incorporates two certified check valves in series, which operate independently and are integral, non-serviceable parts of the wand assembly.

# BRIZO<sup>®</sup>

## HAND SHOWER W/ SLIDE BAR

- Odin™ Bath Collection
- H<sub>2</sub>Okinetic™ Technology
- Hand Shower with Full Spray Pattern
- Certified Dual Check Valves
- 24" (610 mm) Wall Bar with Adjustable Height and Angle
- 69" (1753 mm) Metal Hose with Matching Finish

**STANDARD SPECIFICATIONS:**

- H<sub>2</sub>Okinetic™ Technology
- Hand shower with full spray pattern.
- Certified dual check valves.
- 2.0 gpm @ 80 psi (7.6 L/min @ 552 kPa)
- 24" (610 mm) wall bar with adjustable slide (allows for adjustable shower height). Not to be used as a Grab Bar. Not ADA compliant.
- 69" (1753 mm) flexible metal hose in matching finish.

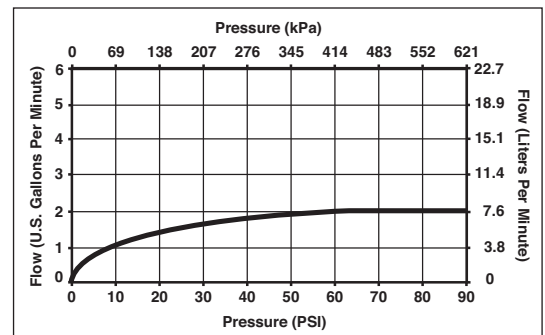
**WARRANTY**

- Lifetime limited warranty on parts (other than electronic parts and batteries) and finishes: or, for commercial users, for 5 years from date of purchase.
- 5 year limited warranty on electronic parts (other than batteries); or, for commercial users, for 1 year from the date of purchase. No warranty is provided on batteries.



**COMPLIES WITH:**

- ASME A112.18.1 / CSA B125.1 ◆
- EPA WaterSense®



Delta reserves the right (1) to make changes in specifications and materials, and (2) to change or discontinue models, both without notice or obligation. Dimensions are for reference only. See current full-line price book or www.brizo.com for finish options and product availability.