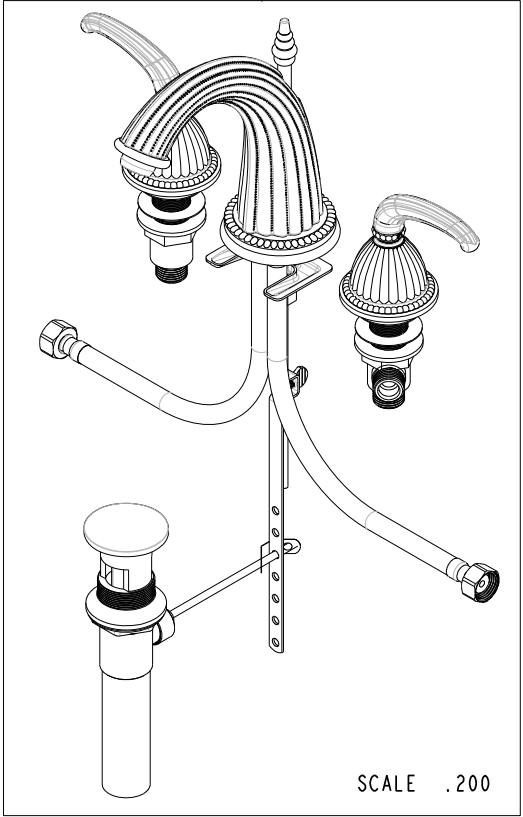


BILL OF MATERIAL (CURRENT LEVEL)

ITEM	PT/ASSY	DESCRIPTION	TYPE	QTY.
1	3-342	SPOUT ASSEMBLY	ASSEMBLY	1
2	10288	3/16" POP UP ROD	PART	1
3	10973	POP-UP KNOB W/RINGS	PART	1
4	325	POP UP ASSEMBLY	ASSEMBLY	1
5	3-159	TRIM KIT - STOP VALVE	ASSEMBLY	2
6	1-525	W/S VALVE INSTALLATION	ASSEMBLY	1



F	EN-2750a	06/25/14
E	EN-2750	05/06/14
D	EN-2628	10/17/13
C	EN-1011	08/30/13
B	EN-1616	09/13/10
A	EO-1011	06/23/08
-	EO-0859	07/19/07
REV	REV DESC	DATE

COPYRIGHT 2005 BRASSTECH, INC. THESE DRAWINGS AND THE DESIGNS DEPICTED HEREIN ARE THE PROPRIETARY PROPERTY OF BRASSTECH. ANY USE OR REPRODUCTION IS SUBJECT TO THE EXPRESS APPROVAL OF BRASSTECH. UNAUTHORIZED USE IS STRICTLY PROHIBITED. ALL RIGHTS RESERVED.

BRASSTECH
INCORPORATED

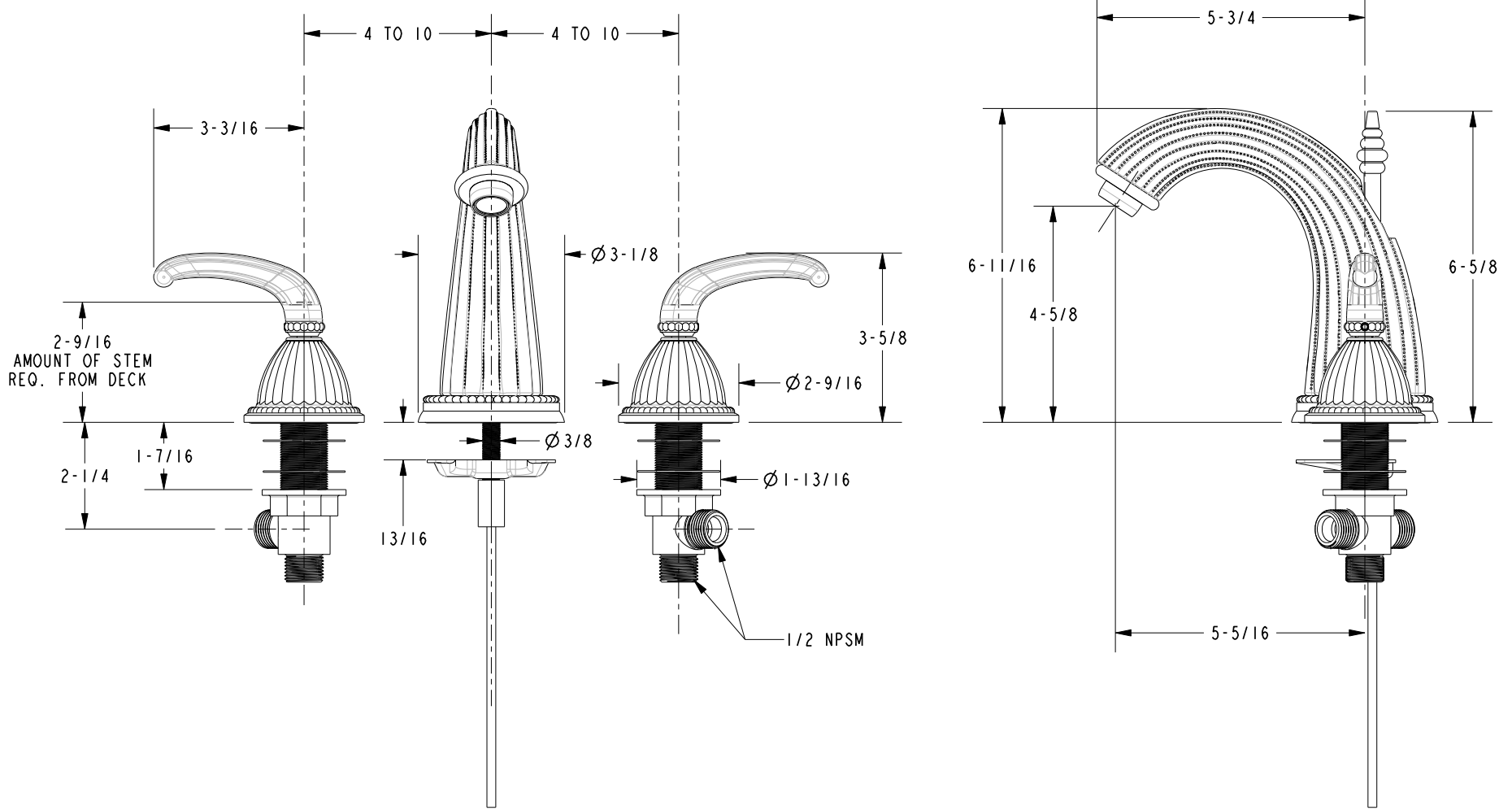
2001 E. CARNEGIE AVE.
SANTA ANA, CA 92705
(949) 417-5207

WIDESPREAD FAUCET

ASSY. NO.	880C	
SCALE .250	REF. -	SHEET 1 OF 2

4 3 2 1

SPECIFICATION DWG



DIMENSIONS ARE IN INCHES AND AN APPROXIMATION OF A TYPICAL INSTALLATION

COPYRIGHT 2005 BRASSTECH, INC. THESE DRAWINGS AND THE DESIGNS DEPICTED HEREIN ARE THE PROPRIETARY PROPERTY OF BRASSTECH. ANY USE OR REPRODUCTION IS SUBJECT TO THE EXPRESS APPROVAL OF BRASSTECH. UNAUTHORIZED USE IS STRICTLY PROHIBITED. ALL RIGHTS RESERVED.

BRASSTECH		2001 CARNEGIE AVE. SANTA ANA, CA 92705 (949) 417-5207
DWG NO.	880C	REV F
SCALE	.300	REF. -
		SHEET 2 OF 2