


87450▲

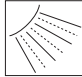
Submitted Model No.: \_\_\_\_\_

Specific Features: \_\_\_\_\_

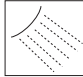
**87450▲ Showerhead**




Full Spray




Full Spray  
w/Massage



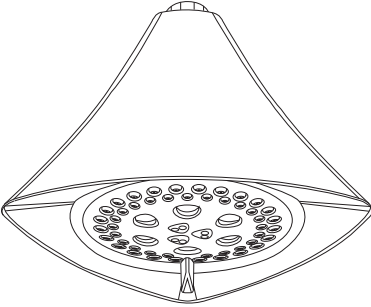
Massaging  
Spray

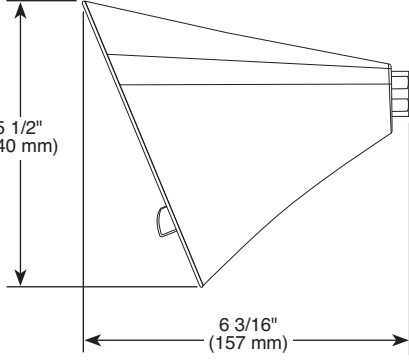


Pause



H<sub>2</sub>Okinetic  
Technology®





5 1/2"  
(140 mm)

6 3/16"  
(157 mm)

▲ Designate proper finish suffix

# BRIZO®

## 5-FUNCTION SHOWERHEAD

- Sotria™ Bath Collection
- 5-Function Showerhead Featuring H<sub>2</sub>Okinetic Technology®
- 2.0 GPM Max @ 80 PSI

### STANDARD SPECIFICATIONS:

- Showerhead has 1/2"-14 NPSM female connection.
- 2.0 GPM Max @ 80 PSI.
- Wrench flats for tightening.
- Showerhead ball nut pivots and rotates.
- Finished sprayface matches shell finish.
- 5 spray settings - Full Spray, Full Spray w/Massage, Massage Spray, Pause, and H<sub>2</sub>Okinetic Technology®.
- Easy turn dial for spray selection.
- Features Touch-Clean® nozzles.

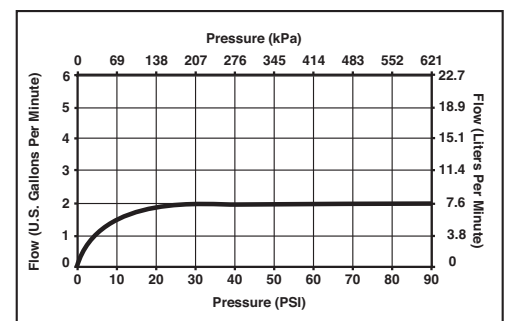
### WARRANTY

- Lifetime limited warranty on parts (other than electronic parts and batteries) and finishes: or, for commercial users, for 5 years from date of purchase.
- 5 year limited warranty on electronic parts (other than batteries); or, for commercial users, for 1 year from the date of purchase. No warranty is provided on batteries.



### COMPLIES WITH:

- ASME A112.18.1 / CSA B125.1
- EPA WaterSense®



Delta reserves the right (1) to make changes in specifications and materials, and (2) to change or discontinue models, both without notice or obligation. Dimensions are for reference only. See current full-line price book or www.brizo.com for finish options and product availability.

BSP-B-87450 Rev. B

### Delta Faucet Company

55 E. 111th Street, Indianapolis, Indiana 46280  
 350 South Edgeware Road, St. Thomas, Ontario, Canada N5P 4L1  
 © 2014 Masco Corporation of Indiana