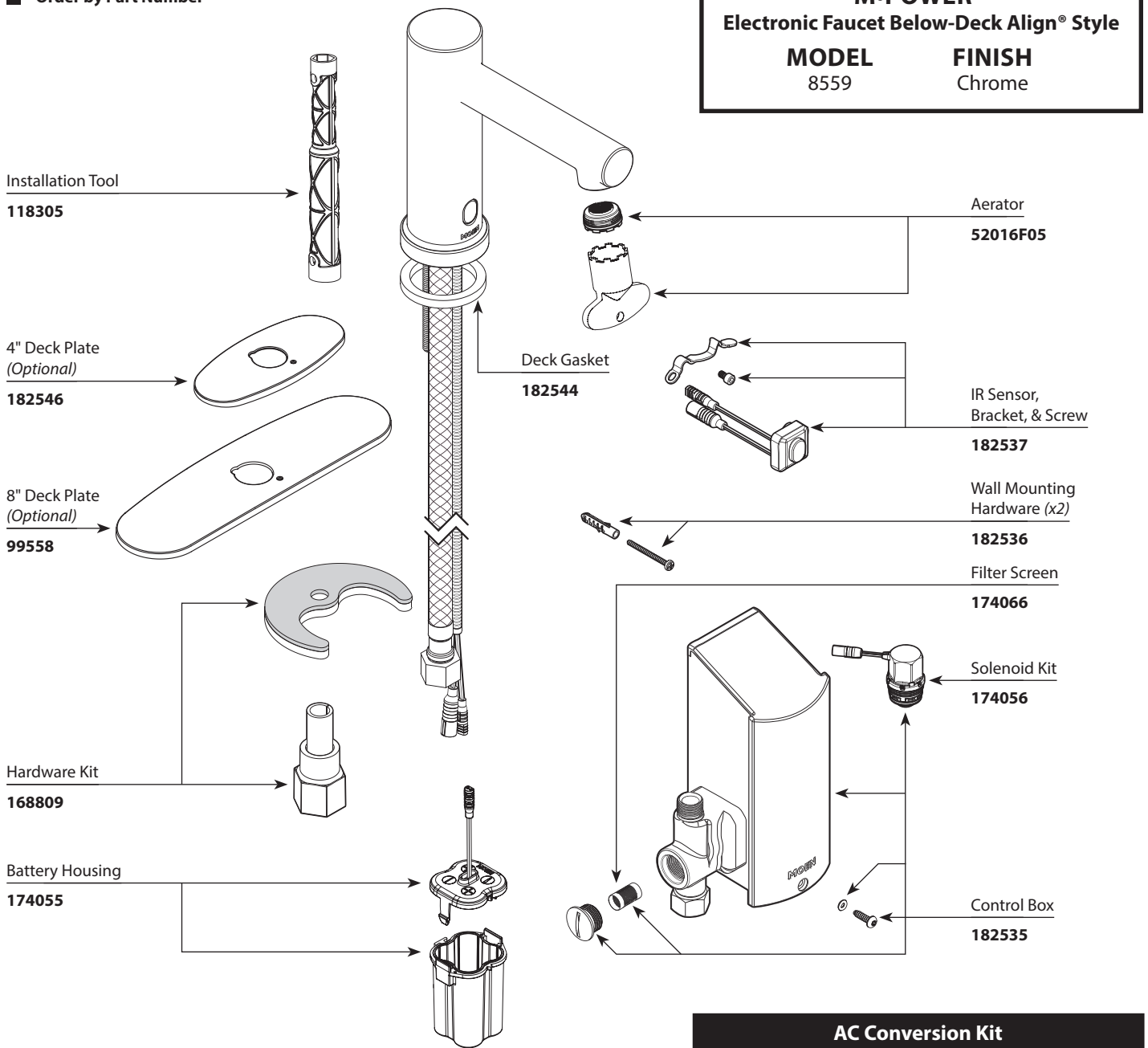


Illustrated Parts

■ Order by Part Number



M-POWER™	
Electronic Faucet Below-Deck Align® Style	
MODEL	FINISH
8559	Chrome

Installation Tool
118305

4" Deck Plate
(Optional)
182546

8" Deck Plate
(Optional)
99558

Hardware Kit
168809

Battery Housing
174055

Deck Gasket
182544

Aerator
52016F05

IR Sensor,
Bracket, & Screw
182537

Wall Mounting
Hardware (x2)
182536

Filter Screen
174066

Solenoid Kit
174056

Control Box
182535

AC Conversion Kit	
AC Transformer (up to 8 devices) 104630	Faucet AC Connector (1 per device) 182538