

# Barn Light Outdoor Wall

8537401, 8637401, 8737401, 8837401 1.0

GENERATION LIGHTING

**Outdoor**

## GENERAL PRODUCT INFORMATION:

These fixtures are intended to be installed utilizing NEC compliant junction boxes.

This product is safety listed for wet locations.

Incandescent version may be dimmed with a standard incandescent dimmer. LED version may be dimmed with a LED dimmer. Consult lamp manufacturer for additional information.

This instruction shows a typical installation.

### CAUTION - RISK OF FIRE

This product must be installed in accordance with the applicable installation code by a person familiar with the construction and operation of the product and the hazards involved.

Use minimum 90°c supply conductors.

GENERATION LIGHTING

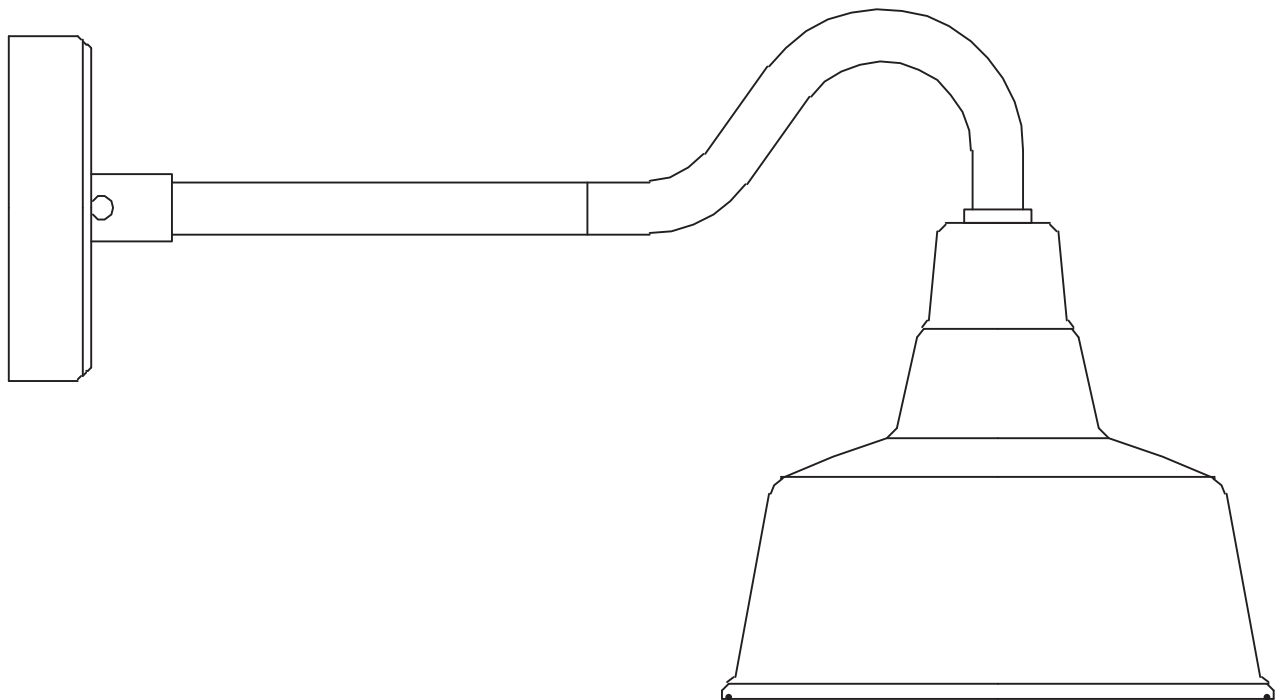
7400 Linder Ave, Skokie, IL 160077

800.969.3347

[www.generationlighting.com](http://www.generationlighting.com)

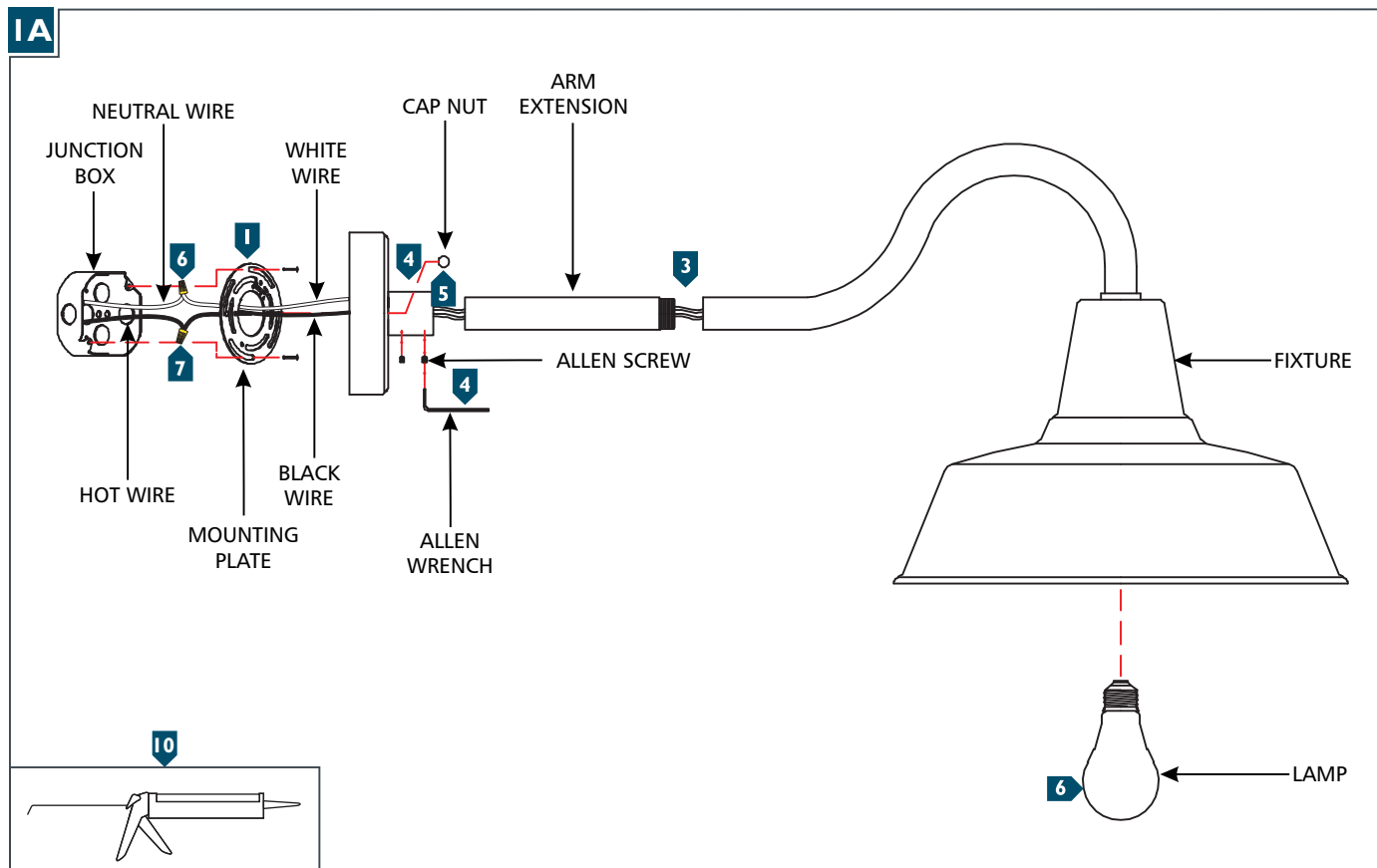
© 2019 Generation Lighting. All rights reserved.

The "Generation Lighting" graphic is a registered trademark of Generation Lighting. Generation Lighting reserves the right to change specifications for product improvements without notification.



**SAVE THESE INSTRUCTIONS!**

## Install the Fixture



- 1 Secure the mounting plate to the junction box.
- 2 Optional: Feed fixture wires through the arm extension and screw the threaded end of the fixture arm into the fixture.
- 3 Feed the fixture wires into the fixture base.
- 4 Insert the fixture arm into the fixture base and secure in place with the provided allen screws.
- 5 Connect the fixture to a suitable ground in accordance to local electrical codes.
- 6 Connect the white fixture wire to the neutral power line wire with a wire nut.
- 7 Connect the black fixture wire to the hot power line wire with a wire nut.
- 8 Neatly place the wires into the junction box, mount the fixture base onto the mounting plate studs, and secure it with the two cap nuts.
- 9 Screw the lamp into socket. Refer to the label on the socket for Max Wattage Information.
- 10 Caulk around the base of the fixture with waterproof construction sealant.