



Location:



7-900
TempControl 7 Series
Specification Submittal

Coordinating Model Numbers	Specification
<input type="checkbox"/> HTA-100 <i>High temp audio/visual alarm system</i> <input type="checkbox"/> T-425-900 <i>3" bimetal dial thermometer</i> <input type="checkbox"/> BV-700/900 <i>Volume control shut off valve</i> <input type="checkbox"/> SV-900 <i>Solenoid valve</i> <input type="checkbox"/> TF-900 <i>Tee fitting</i> <input type="checkbox"/> WHA-1 <i>Water hammer arrestor</i>	<p>TempControl thermostatic mixing valve made from low lead metal components. Features removable check stops and union ells to adjust position of inlets (see table 1 for flow rates).</p> <p>Temperature control range: 70°F - 150°F (21.1°C - 65.6°C)</p> <p>Approach temperature: 5°F (-15°C)</p> <p><small>**According to US Senate bill S.3874, the term "lead free" is defined as follows: "not more than a weighted average of 0.25 percent lead when used with respect to the wetted surfaces of pipes, pipe fittings, plumbing fittings, and fixtures"</small></p>
Configurations	Compliance
<input type="checkbox"/> A <i>Valve and piping assembly</i> <input type="checkbox"/> B <i>Valve and piping in cabinet</i> <input type="checkbox"/> BW <i>Valve and piping in cabinet with cold water bypass</i>	<p>-ASME A112.18.1/CSA B125.1 -CSA B125.3 -ASSE 1017 -CA 116875 (AB 1953) -NSF 372 -US S.3874</p>
<p>Note: Append appropriate suffix to model number.</p>	<p>Warranty</p> <p>5 Years - for commercial installations.</p> <p>Refer to www.symmons.com/warranty for complete warranty information.</p>

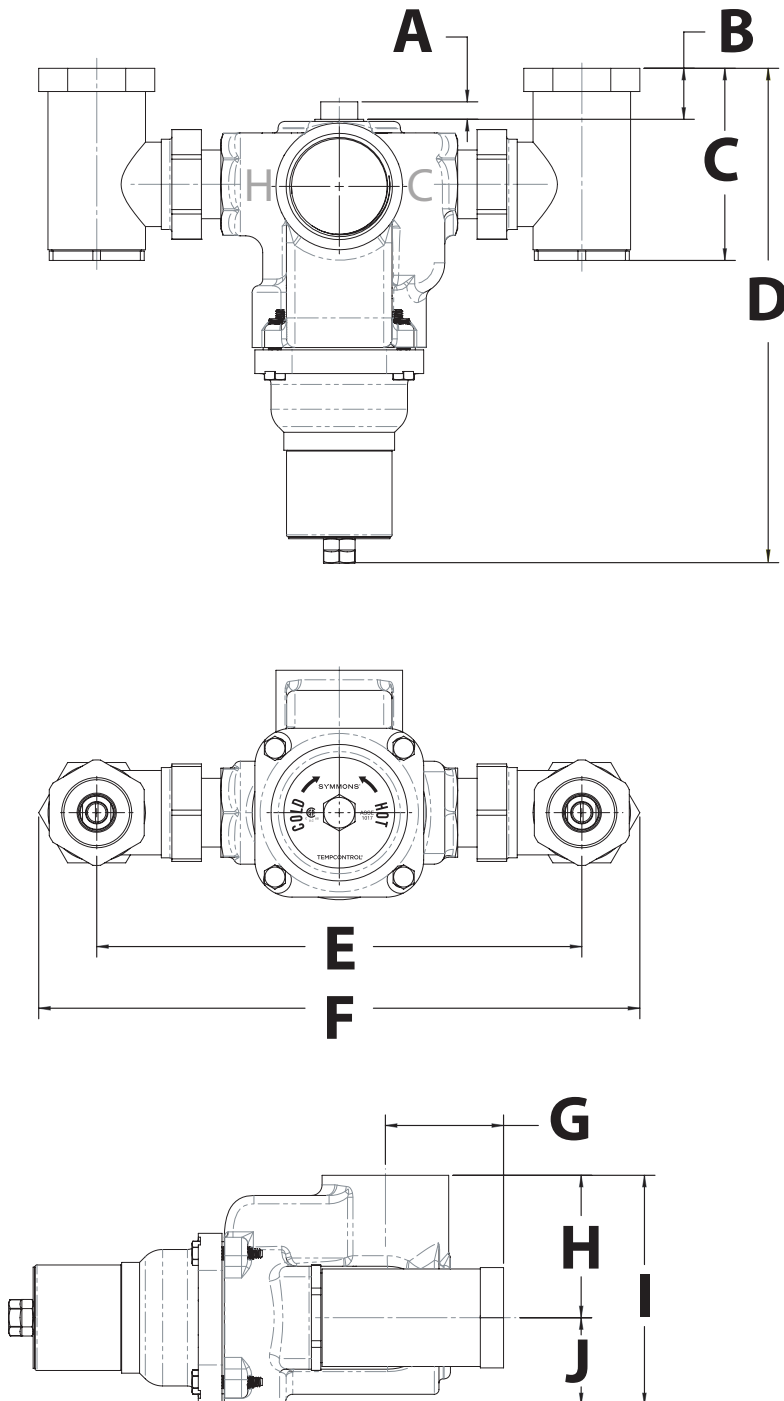


Valve Model	Min. Flow Rate*	Min. Flow Rate	Pressure Differential - psi (kPa)					
			5 psi (34 kPa)	10 psi (69 kPa)	20 psi (138 kPa)	25 psi (172 kPa)	30 psi (207 kPa)	45 psi (310 kPa)
7-900	0.5 gpm (1.9 L/min)	13 gpm (49 L/min)	30 gpm (114 L/min)	55 gpm (209 L/min)	76 gpm (288 L/min)	84 gpm (318 L/min)	89 gpm (337 L/min)	104 gpm (394 L/min)

*Minimum flow rate when valve is installed at or near the hot water source with recirculated tempered water and continuously operating circulating pump.

7-900
TempControl 7 Series
Specification Submittal

Dimensions



TempControl Valve Sizes		
Model No.	Inlet	Outlet
7-900	1 1/2"	1 1/2"
Measurements		
Dimension	7-900	
A	7/16", 11 mm	
B	1 3/16", 31 mm	
C	4 9/16", 116 mm	
D	11 1/6", 280 mm	
E	11 1/2", 296 mm	
F	14 1/4", 365 mm	
G	2 13/16", 71 mm	
H	3 3/8", 86 mm	
I	5 7/16", 138 mm	
J	2 1/16", 52 mm	

Note:
Dimensions are subject to change without notice.