

# Perrywood Outdoor Post

8214203 | 1.0

## GENERATION LIGHTING POST

**CAUTION - RISK OF FIRE**  
This product must be installed in accordance with the applicable installation code by a person familiar with the construction and operation of the product and the hazards involved.  
Use minimum 90°C supply conductors.

### GENERAL PRODUCT INFORMATION:

This product is safety listed for wet locations.

Incandescent version may be dimmed with a standard incandescent dimmer. LED version may be dimmed with a LED dimmer. Consult lamp manufacturer for additional information.

This instruction shows a typical installation.

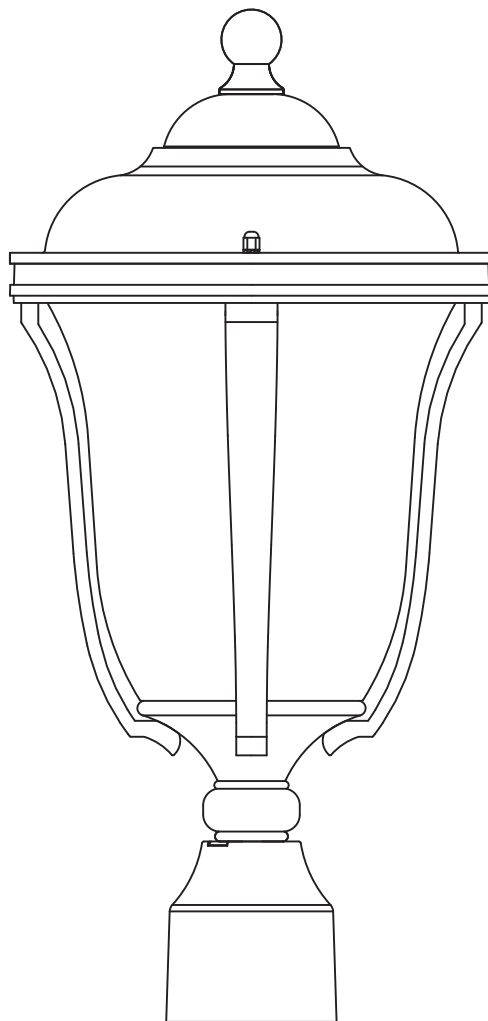
GENERATION LIGHTING

7400 Linder Ave, Skokie, IL 160077

800.969.3347

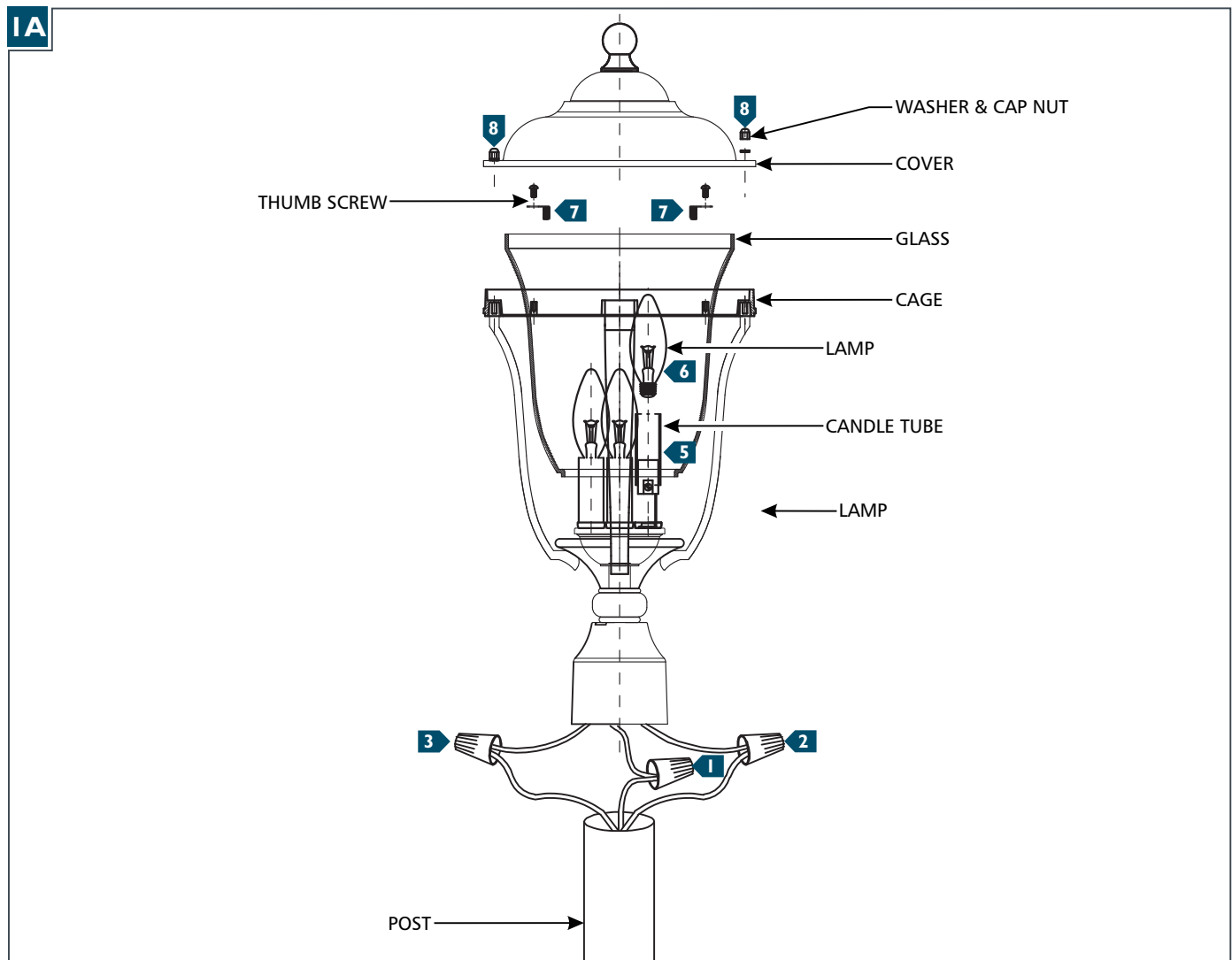
[www.generationlighting.com](http://www.generationlighting.com)

© 2019 Generation Lighting. All rights reserved.  
The "Generation Lighting" graphic is a registered trademark of Generation Lighting. Generation Lighting reserves the right to change specifications for product improvements without notification.



**SAVE THESE INSTRUCTIONS!**

## Install the Fixture



- 1** Connect the fixture to a suitable ground in accordance to local electrical codes.
- 2** Connect the white fixture wire (square and/or rigid) to the neutral power line wire with a wire nut.
- 3** Connect the black fixture wire (round and/or smooth) to the hot power line wire with a wire nut.
- 4** Secure the fixture to the post with post screws.
- 5** Install the candle tubes by sliding them over the sockets.
- 6** Screw the lamps into the sockets. Refer to the label on the socket for Max Wattage information.
- 7** Insert the glass into the cage and secure it in place using the brackets and bracket screws.
- 8** Install the cover to the top of the cage and secure them together using the washer and cap nuts.