



Apollo PRESS



Job Name:	
Job Location:	
Engineer:	
Contractor:	
Tag:	
PO#:	
Rep.:	
Wholesale Dist.:	

DESCRIPTION

The APOLLOPRESS® lead free* Press x Hose Cap & Chain Ball Valves are designed for direct mechanical connection to ASTM B88-Type K, L, and M copper tubing in the hard drawn condition. Valves feature a 3/4" hose connection with heavy brass cap to protect the threads. The 77WLF-HC is ideal for most plumbing and heating systems, including potable water. Now with Leak Before Press® feature and 300 psig maximum working pressure.

FEATURES

- Press x 3/4" - 11.5 NH
- Full Port
- Adjustable Stem Packing
- Fast, Reliable, Economical Press Installation
- Leak Before Press® Technology
- Lead Free* Brass & Bronze Materials
- Heavy Brass Cap And Stainless Steel Chain is Full Pressure Rated
- Easily Identifiable Blue "Lead Free" Hang Tag
- Ridgid® "XL" Press Tool Compatible
- **Made in USA, ARRA Compliant**

PERFORMANCE RATING+

- Maximum Operating Pressure: 300 psi
- Maximum Temperature: 200°F

APOLLOPRESS® connectors are designed for direct mechanical connection to ASTM B88-Type K, L, and M copper tubing in the hard drawn condition. Press connectors are not suitable for steam or flammable gas service

APPROVALS

- MSS SP-110 Ball Valves
- NSF/ANSI 61 Water Quality
- NSF/ANSI 372 Lead Free
- ANSI/ASME B1.20.7 Hose Thread
- IAPMO/ANSI Z1157

APPROVED APPLICATIONS

- Water
- Hydronic Heating (50% glycol max)
- Not compatible with soft annealed copper tubing

Not intended for potable water

OPTIONS

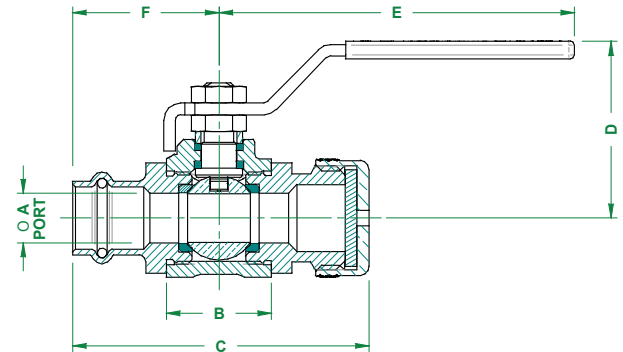
- (-04) 2-1/4" Stem Extension
- (-07) Tee-Handle
- (-10) Stainless Steel Handle and Nut
- (-11) Therma-Seal™ Insulating Tee Handle
- (-92) Balancing Stop
- (-94) 2-1/4" Stem Extension and Balancing Stop
- (77WLF-14x-HC Series) SS Ball and Stem
- (77W-HC-PR) Non Lead-Free APOLLOPRESS®

STANDARD MATERIALS LIST

BODY	C89836 Lead Free* Bronze
SEAT	Multi-Fill PTFE
BALL	C27451 Lead Free* Brass Cr. Plated
STEM PACKING	Multi-Fill PTFE
NUT	Corrosion Resistant Plated Steel
STEM	C27451 Lead Free* Brass
RETAINER	C27451 Lead Free* Brass
CAP	C27451 Lead Free* Brass
HANDLE	Plated Steel/Insulated Polyvinyl
GLAND	Brass, ASTM B16, UNS# C36000
O-RING	EPDM
BALL CHAIN	Stainless Steel

DIMENSIONS

PART NUMBER	SIZE (IN.)	DIMENSIONS (IN.)						WT. (LB.)
		A	B	C	D	E	F	
77WLF-103-HC	1/2"	0.50	1.54	3.12	1.80	3.74	1.54	0.61
77WLF-104-HC	3/4"	0.75	1.72	3.45	2.01	4.78	1.78	1.16



*LEAD FREE: The wetted surfaces of this product shall contain no more than 0.25% lead by weighted average. Complies with Federal Public Law 111-380. ANSI 3rd party approved and listed.