

## 77V-LF Series

Press End Forged Ball Valve | Small Diameter 1/2" - 2"

### LEAD FREE



"Apollo" PRESS



Job Name:	
Job Location:	
Engineer:	
Contractor:	
Tag:	
PO#:	
Rep:	
Wholesale Dist.:	

### DESCRIPTION

The APOLLOPRESS® 77VLF Series lead free\* two-piece press ball valve is ideal for installation in most plumbing and heating systems, including potable water. Now with Leak Before Press® feature and 300 psig maximum working pressure. Proudly Made in the USA.

### FEATURES

- Lead Free\*, ANSI 3rd Party Certified and Listed
- Full-Port Flow
- Superior RPTFE Seats and Packing
- Adjustable Stem Packing
- Ridgid® XL Press Tool Compatible
- Leak Before Press® Technology
- Blowout-Proof Stem
- Corrosion Resistant Materials
- Silicone Free Assembly
- 100% Factory Tested
- **Made in USA, ARRA Compliant**

### PERFORMANCE RATING+

- Maximum Operating Pressure: 300 psi
- Temperature Range: 0°F - 250°F

*\*APOLLOPRESS® connectors are designed for direct mechanical connection to ASTM B88-Type K, L, and M copper tubing in the hard drawn condition. Press connectors are not suitable for steam or flammable gas service.*

### APPROVALS

- MSS SP-110 Ball Valves
- NSF/ANSI 61 Water Quality
- NSF/ANSI 372 Lead Free
- IAPMO/ANSI Z1157 Ball Valves
- Directive 2011/65/CE (RoHS)

### APPROVED APPLICATIONS

- Water Including Potable Water
- Hydronic Heating (90% glycol max)
- Low Pressure Steam, 15 psi max
- Not Suitable for Flammable Gas Service
- Designed for Direct Mechanical Connection to ASTM B88-Type K, L, and M Copper Tubing in the Hard Drawn Condition
- Not Compatible with Soft Annealed Copper Tubing

### OPTIONS

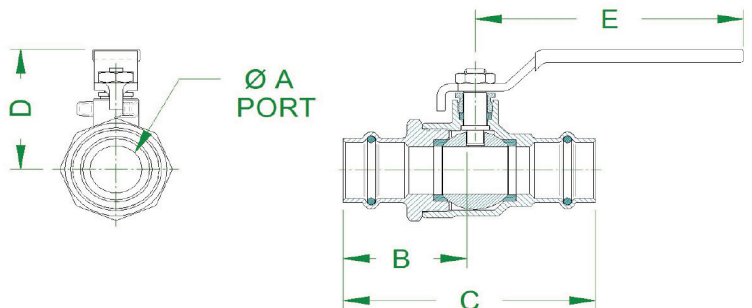
- (-01) Standard Lever Handle
- (-04) 2-1/4" Stem Extension 1/2" - 2-1/2"
- (-07) Tee Handle 1/2" - 2"
- (-11) Therma-Seal™
- Insulating Tee Handle 1/2" - 2"
- (-27) Locking Handle SS 1/2" - 2-1/2"
- (-92) Memory Stop 3/4" - 2-1/2"
- (-94) 2-1/4" Extension w/ Memory Stop 1/2" - 2-1/2"
- 77V140 Series - SS Ball & Stem
- 77V-LF Large Diameter 2-1/2" - 4"

### STANDARD MATERIALS LIST

<b>BODY</b>	Lead Free Brass, C27451
<b>SEAT</b>	RPTFE
<b>BALL</b>	Lead Free Brass, C27451, Chrome Plated
<b>STEM PACKING</b>	RPTFE
<b>NUT</b>	Corrosion Resistant Plated Steel
<b>STEM</b>	Lead Free Brass, C27451
<b>RETAINER</b>	Lead Free Brass, C27451
<b>HANDLE</b>	Plated Steel / Insulated Polyvinyl
<b>GLAND</b>	Brass, ASTM B16, C36000
<b>O-RING SEALS</b>	EPDM

### DIMENSIONS

MODEL NUMBER	SIZE (IN.)	DIMENSIONS (IN.)					WT. (LB.)
		A	B	C	D	E	
77VLF10301	1/2"	0.50	1.57	2.89	1.66	2.85	0.4
77VLF10401	3/4"	0.75	1.90	3.63	1.91	3.86	0.9
77VLF10501	1"	1.00	2.20	3.88	2.11	3.86	1.2
77VLF10601	1-1/4"	1.25	2.23	4.22	2.44	4.75	2.3
77VLF10701	1-1/2"	1.50	2.84	5.45	2.91	5.42	3.4
77VLF10801	2"	2.00	3.40	6.57	3.69	7.77	6.0



\*LEAD FREE: The wetted surfaces of this product shall contain no more than 0.25% lead by weighted average. Complies with Federal Public Law 111-380. ANSI 3rd party approved and listed.