

77V-LF Series

Press End Forged Ball Valve | Large Diameter 2-1/2" - 4"

LEAD FREE



"Apollo" PRESS



Job Name:	
Job Location:	
Engineer:	
Contractor:	
Tag:	
PO#:	
Rep.:	
Wholesale Dist.:	

DESCRIPTION

The APOLLOPRESS® 77VLF Series lead free* Ball valve is ideal for installation in most plumbing and heating systems including potable water. Features Leak Before Press® technology and 300 psig maximum working pressure. Proudly made in the USA.

FEATURES

- Lead Free*, ANSI 3rd Party Certified and Listed
- 2 piece, heavy pattern forged design
- Full-Port Flow
- Adjustable Stem Packing
- Fast, Reliable, Economical Press Installation
- Ridgid® XLC Press Tool Compatible
- Leak Before Press® Technology
- Blowout-Proof Stem
- Dezincification Resistant Materials
- Silicone Free Assembly
- 100% Factory Tested
- 316 SS Ball and Stem Option (77VLF-140) for sizes 2-1/2" & 3", standard for 4"
- Made in USA, ARRA Compliant

PERFORMANCE RATING+

- Maximum Operating Pressure: 300 psi
- Temperature Range: 0°F - 250°F

*APOLLOPRESS® connectors are designed for direct mechanical connection to ASTM B88-Type K, L, and M copper tubing in the hard drawn condition. Press connectors are not suitable for steam or flammable gas service.

APPROVALS

- MSS SP-110 Ball Valves
- NSF/ANSI 61 Water Quality
- NSF/ANSI 372 Lead Free
- Directive 2011/65/CE (RoHS)
- IAPMO/ANSI Z1157 Ball Valves (2-1/2"-4")

APPROVED APPLICATIONS

- Water - Chilled, Hot and Potable: 33° - 250°F
- Hydronic Heating (90% glycol max)
- Low Pressure Steam, 15 psi max
- Not Suitable for Flammable Gas Service
- Designed for direct mechanical Connection to ASTM B88-Type K, L, and M Copper Tubing in the Hard Drawn Condition.
- Not Compatible with Soft Annealed Copper Tubing

OPTIONS

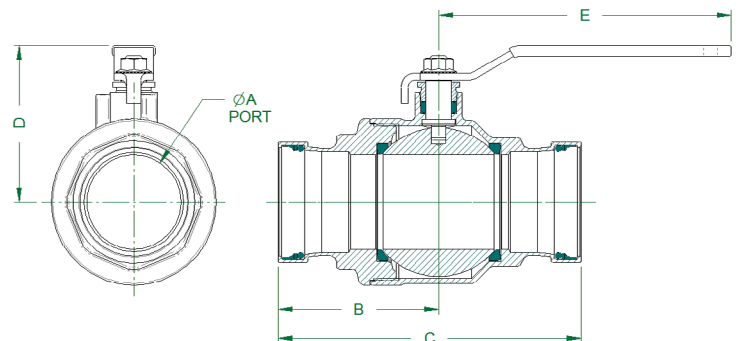
- (-01) Standard Lever Handle
- (-04) 2-1/4" Stem Extension 1/2" - 2-1/2"
- (-27) Locking Handle SS 1/2" - 2-1/2"
- (-92) Memory Stop 3/4" - 2-1/2"
- (-94) 2-1/4" Extension w/ Memory Stop 1/2" - 2-1/2"
- 77V140 Series - SS Ball & Stem
- 77V-LF - Small Diameter 1/2" - 2"

STANDARD MATERIALS LIST

BODY	Lead Free Brass, C27451
SEAT	RPTFE
BALL	Lead Free Brass, C27451, Chrome Plated (2-1/2" & 3") 316 SS (4")
STEM PACKING	RPTFE
NUT	Corrosion Resistant Plated Steel
STEM	Lead Free Brass, C27451 (2-1/2" & 3") 316 SS (4")
RETAINER	Lead Free Brass, C27451
HANDLE	Plated Steel / Insulated Polyvinyl
GLAND	Brass, ASTM B16, C36000
O-RING SEALS	EPDM
CRIMP RING	316 SS
SPACER RING	Nylon

DIMENSIONS

MODEL NUMBER	SIZE (IN.)	DIMENSIONS (IN.)					WT. (LB.)
		A	B	C	D	E	
77VLF-109-01	2-1/2"	2.50	4.26	8.04	4.13	7.77	12.0
77VLF-100-01	3"	3.00	5.10	9.45	5.03	9.92	19.5
77VLF-14A-01	4"	4.00	5.20	10.35	5.70	14.78	26.0



*LEAD FREE: The wetted surfaces of this product shall contain no more than 0.25% lead by weighted average. Complies with Federal Public Law 111-380. ANSI 3rd party approved and listed.