

INSTALLATION INSTRUCTIONS



DXV Modulus™ Single Mirror/Double Mirror

36" Single — Model D19050036 Series

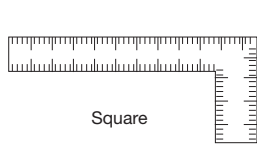
49" Double — Model D19055049 Series

Thank you for selecting DXV. To ensure this product is installed properly, please read these instructions carefully before you begin. (Certain installations may require professional help.) Also be sure your installation conforms to local codes.

▲ CAUTION: PRODUCT IS FRAGILE. TO AVOID BREAKAGE AND POSSIBLE INJURY HANDLE WITH CARE!

RECOMMENDED TOOLS AND MATERIALS

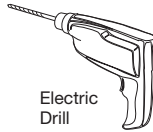
Most of the procedures require the use of common tools and materials, which are available from hardware and plumbing supply stores. It is essential that the tools and materials be on hand before work is begun.



Square



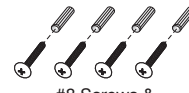
Level



Electric Drill



Tape Measure



#8 Screws & Wall Anchors



Hammer

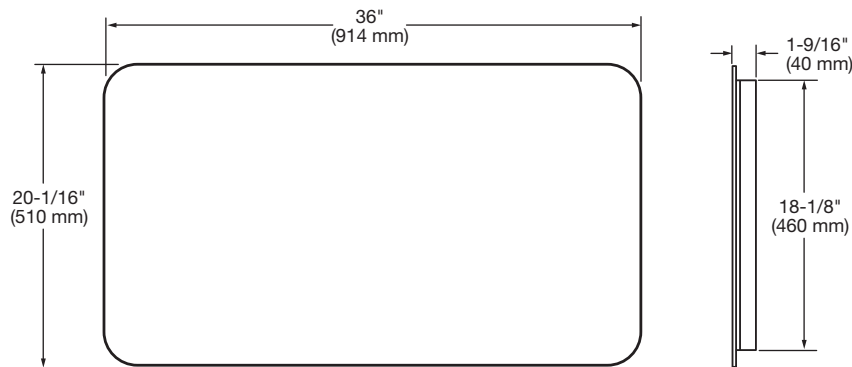


Phillips Screwdriver

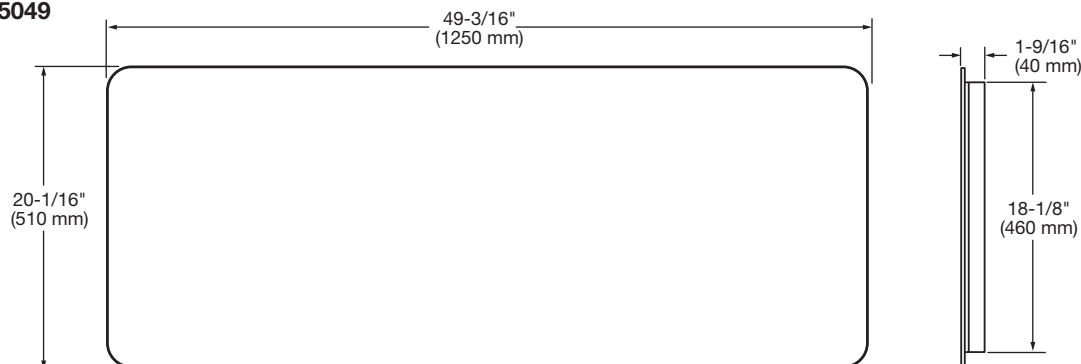
ROUGHING-IN DIMENSIONS:

- For reference

D19050036



D19055049



SAVE FOR FUTURE USE

MIRROR INSTALLATION

NOTE: Mirrors are equipped to operate on a built-in, 120vac powered LED Back Light which can be wired directly behind the mirror via a switchable outlet which should be installed by an electrician before the drywall is up.

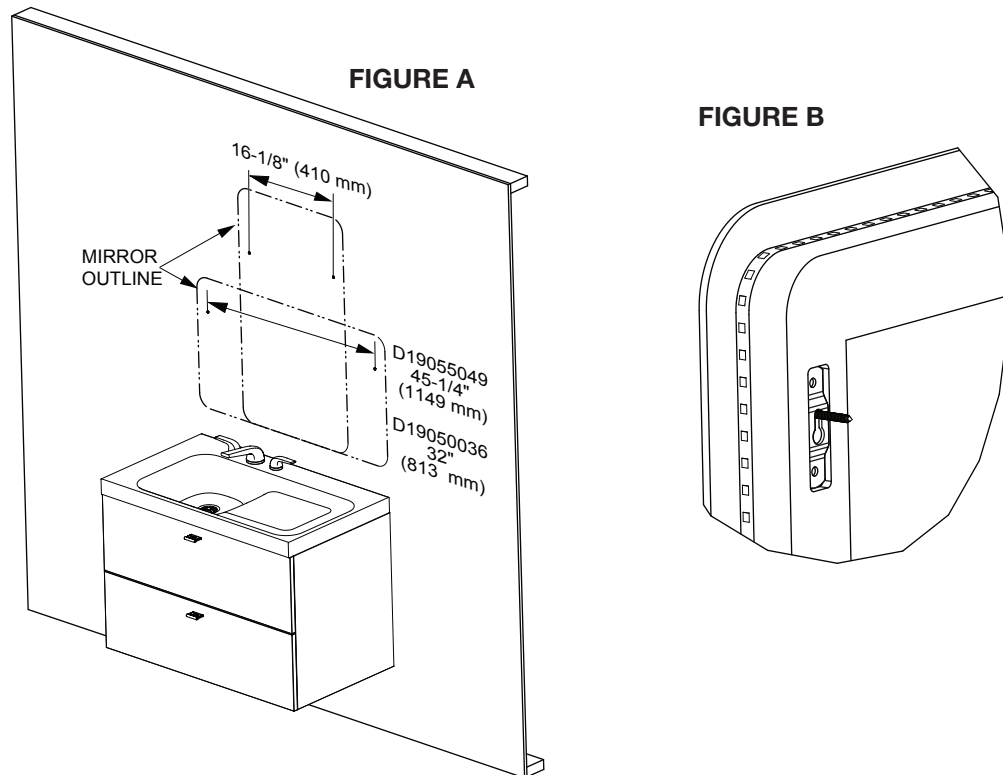
- Carefully unpack mirror, taking care not to drop or lay down on a rough surface.
- Provide suitable reinforcement required for anchoring mirror to the wall.
- Once a location is determined, use a level and tape measure to mark the mounting hole locations.

NOTE: Mirrors can be mounted either horizontally or vertically. (See **Diagram A and B** for dimensions)

- Mark the locations for the size and position of the mirror selected and drill a hole at these positions to accommodate the type of wall anchor used.

NOTE: Wall anchors must have a load capacity of at least 50lbs.

- Insert the #8 screw into the wall anchors leaving approximately 1/4" of the screw head from the wall in which to hang the mirror.
- Connect the electrical hook up to the mirror.
- Hang mirror on the screws and adjust screws in or out to ensure mirror is properly and securely mounted into the mirrors rear frame. (See **Diagram B**)



CARE AND CLEANING OF MIRROR

Clean the product by using soft, slightly damp cloth. Buff the mirror by using a soft dry cloth. Avoid using silicone cleaners and waxes.

In the United States:

DXV
One Centennial Avenue
Piscataway, New Jersey 08855
Attention: Director of Customer Care

For residents of the United States, warranty information may also be obtained by calling the following toll free number: (800) 227-2734
www.DXV.com

In Canada:

DXV
5900 Avebury Road
Mississauga, Ontario
L5R 3M3
Canada

Toll Free: 1-800-387-0369
Local: 905-306-1093
Fax: 1-800-395-1498
www.DXV.ca

In Mexico:

DXV
Vía Morelos 330
Col. Santa Clara Coatitla
Ecatepec, Estado de México 55540

Toll Free: 01-800-8391200
www.DXV.mx