

Talis E
4-Hole Roman Tub Set Trim with 1.8 GPM Handshower
 Finishes : brushed nickel Part no. : 71744821



Description

Features

- consists of: 4-Hole Roman tub filler trim, Handshower, Handshower holder
- 90° ceramic valves
- Integrated double backflow prevention

Item details

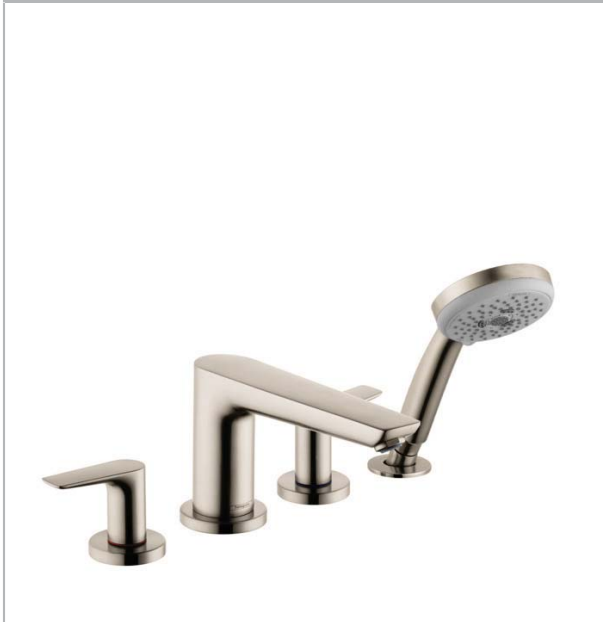
Technology



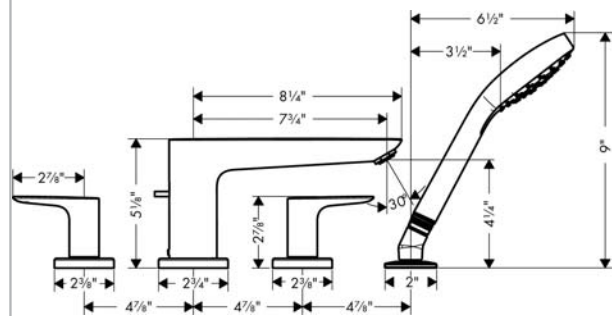
Compliance



Product image



Scale drawing

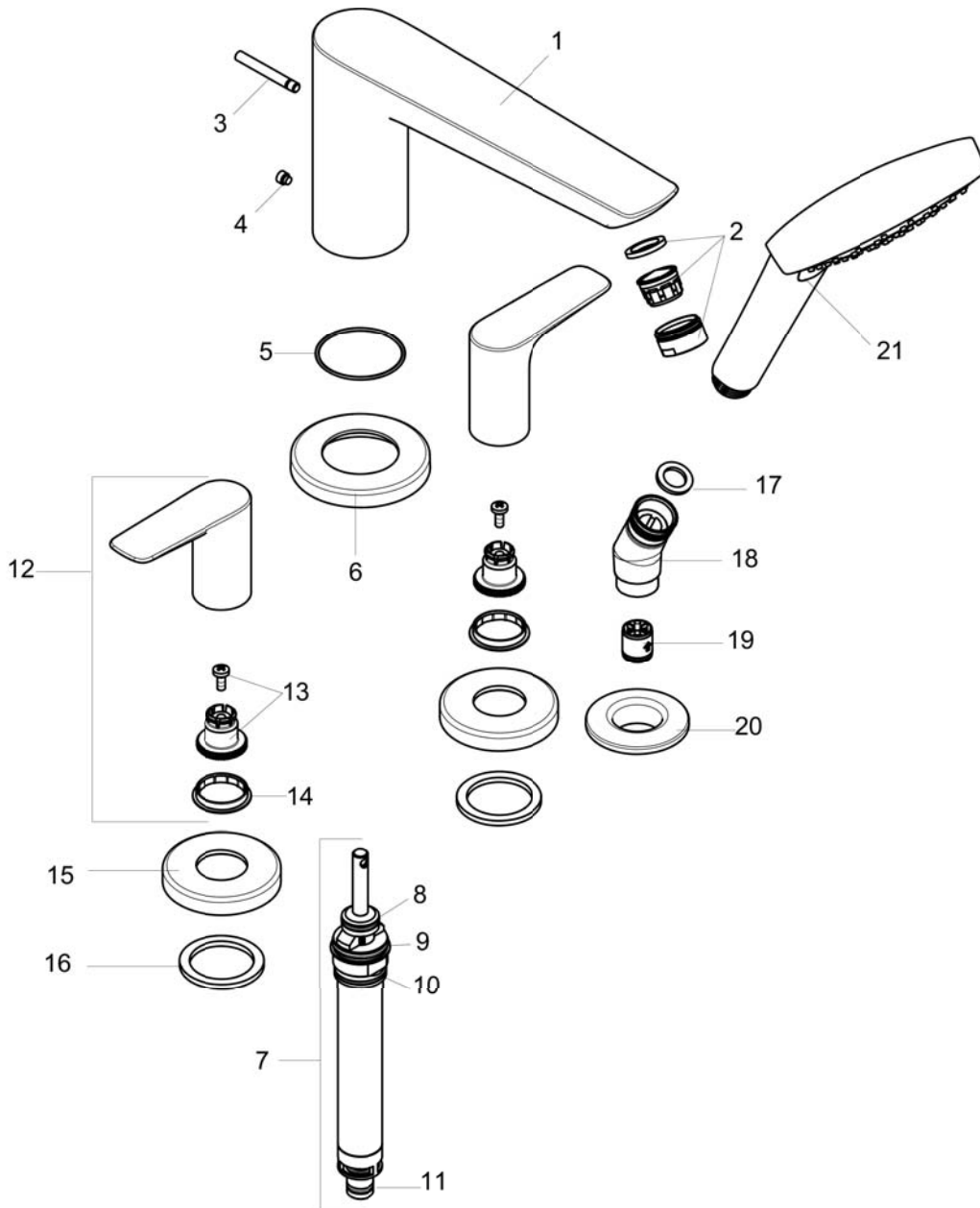


Talis E
4-Hole Roman Tub Set Trim with 1.8 GPM Handshower
Finishes : brushed nickel Part no. : 71744821



Exploded drawing

Year of production: >07/18



Talis E

4-Hole Roman Tub Set Trim with 1.8 GPM Handshower

Finishes : brushed nickel Part no. : 71744821



Spare parts list

Year of production: >07/18

Pos.	Description	Part no.	Price	PU
1	spout cpl.	92780820	-	1
4	aerator M24x1 (30 l/min)	96512820	-	1
2	diverter knob	98707820	-	1
3	hollow set screw M6x6	97660000	-	1
5	O-ring 41x1,5	98168000	-	1
6	escutcheon Ø 70 mm	97779820	-	1
7	selector assy	96775000	-	1
8	O-Ring 14x2,5	98189000	-	1
9	O-Ring 23x2,5	98183000	-	1
10	O-Ring 22x2	98185000	-	1
11	O-ring 9x2,5	98217000	-	1
12	handle	92779820	-	1
13	handle fixing set	94184000	-	1
14	set of color-rings cold / hot water	95819000	-	1
15	escutcheon	31098820	-	1
16	flat seal	98749000	-	1
17	filter packing	94246000	-	1
18	shower holder	28071820	-	1
19	set of non return valves DW 15	94074000	-	1
20	escutcheon Ø 52 mm	97159820	-	1
21	handshower	04752820	-	1