

Logis

Single-Hole Faucet 210 with Swivel Spout and Pop-Up Drain, 1.2 GPM

Finishes : **chrome** Part no. : **71130001**



Description

Features

- Swivel range 120°
- Aerated spray
- Flow: 1.2 GPM (4.5 L/Min)
- Ceramic cartridge
- Includes pop-up drain

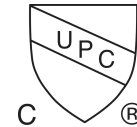
Item details

List Price

Technology



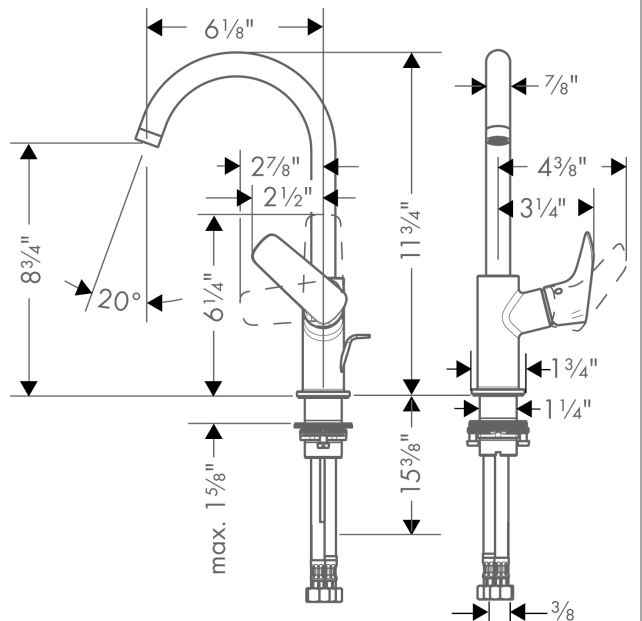
Compliance



Product image



Scale drawing



Logis

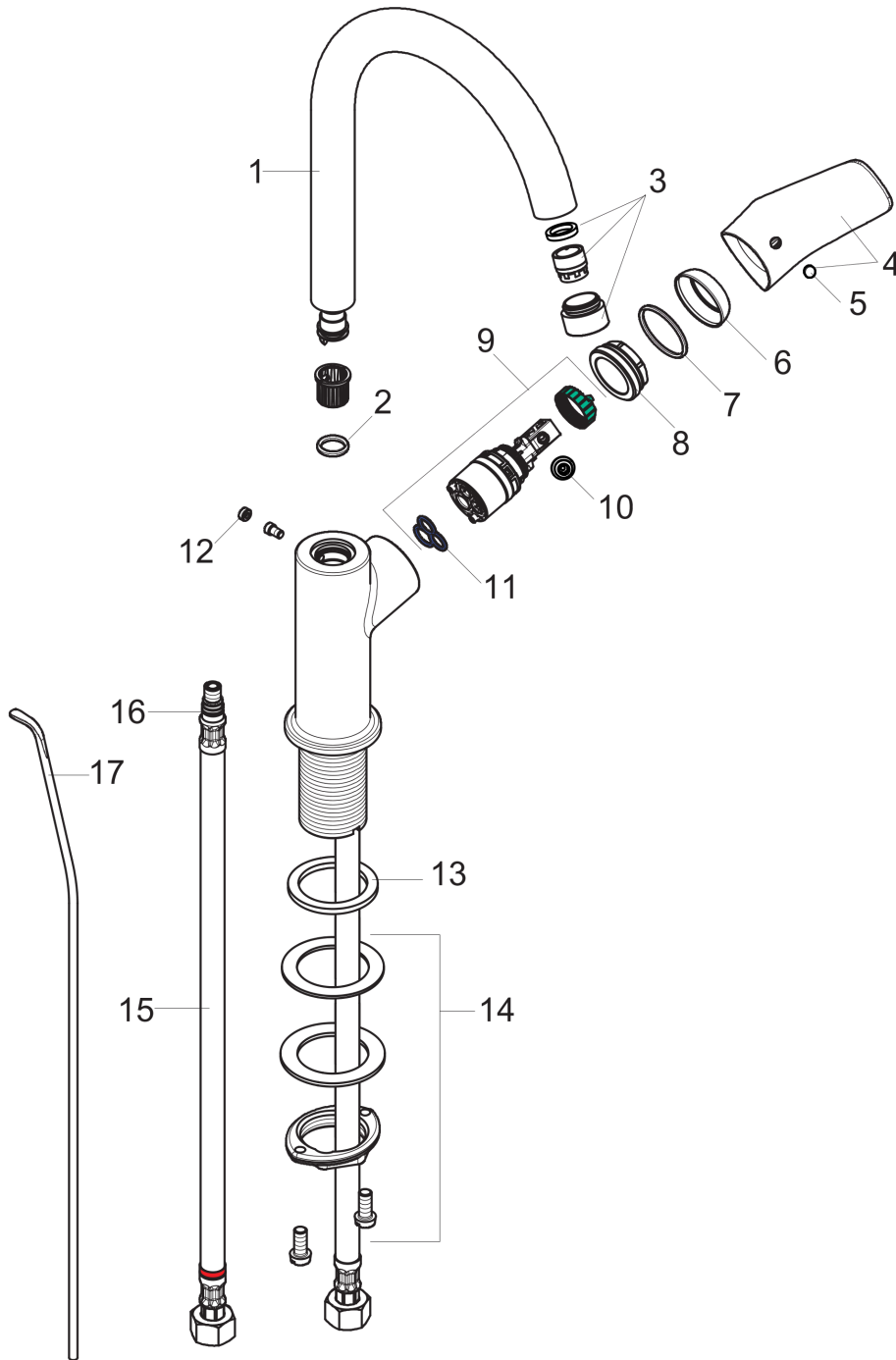
Single-Hole Faucet 210 with Swivel Spout and Pop-Up Drain, 1.2 GPM

Finishes : **chrome** Part no. : 71130001



Exploded drawing

Year of production: >07/16



Logis

Single-Hole Faucet 210 with Swivel Spout and Pop-Up Drain, 1.2 GPM

Finishes : **chrome** Part no. : **71130001**



Spare parts list

Year of production: >07/16

Pos.	Description	Part no.	Price	PU
1	spout cpl.	95494000	-	1
2	O-ring 11x2	98127000	-	1
3	aerator M18x1 (4,5 l/min)	92884000	-	1
4	handle	92245000	-	1
5	screw cover	96338000	-	1
6	flange	95493000	-	1
7	O-ring 24x2	98388000	-	1
8	nut	95178000	-	1
9	cartridge, assy	95973001	-	1
10	locking screw for handle	95140000	-	1
11	seal	98865000	-	1
12	screw cover	95181000	-	1
13	flat seal	98749000	-	1
14	fixing set (Ø 32)	13961000	-	1
15	connection hose 18½" M8x0,75 3/8"	96321001	-	1
16	O-ring 7x1,5	98422000	-	1
17	pull rod	96657000	-	1
a	pop up waste	88509000	-	1
b	lever arm 340mm (ball-Ø12mm)	96324000	-	1
c	lever collar	92849000	-	1