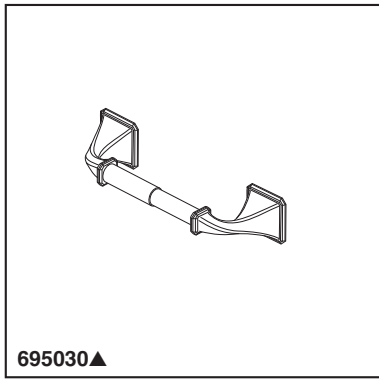


BRIZO®

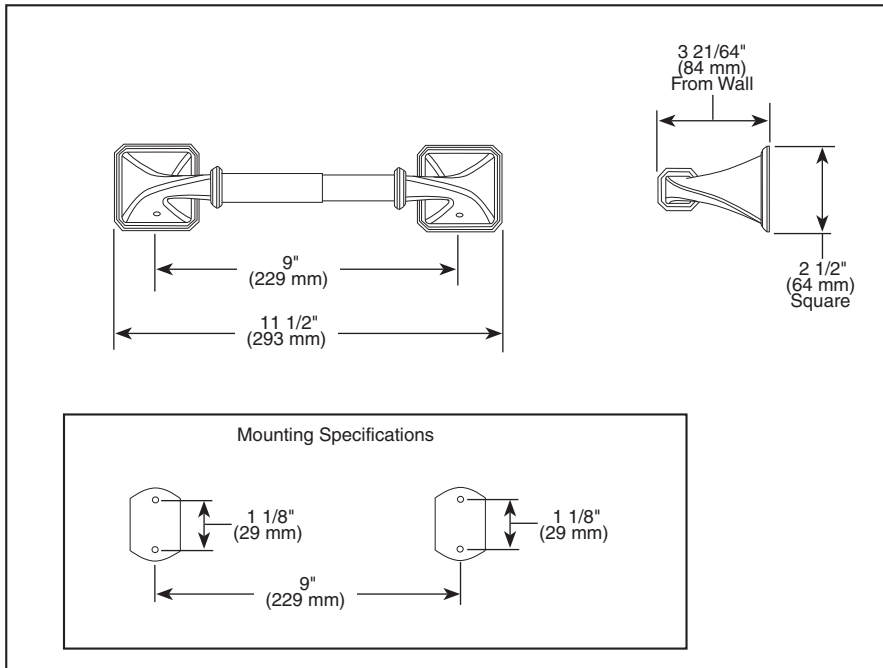
ACCESSORIES

- Virage™ Bath Collection
- Tissue Holder



Submitted Model No.: _____

Specific Features: _____



▲ Designate proper finish suffix

STANDARD SPECIFICATIONS:

- Wood blocking is preferable behind all wall surfaces. If wood blocking is not available, the following fasteners are suggested: Tile/Masonry-Plastic or lead Anchors; Plaster/drywall-Toggle bolts.
- Mounting hardware and mounting instructions included with product.
- Note: Only plastic anchors are included with the mounting hardware.

WARRANTY

- Lifetime Faucet and Finish Limited Warranty to the original consumer purchaser to be free from defects in material and workmanship.
- 5 Year Limited Warranty for usage in all industrial, commercial and business applications.