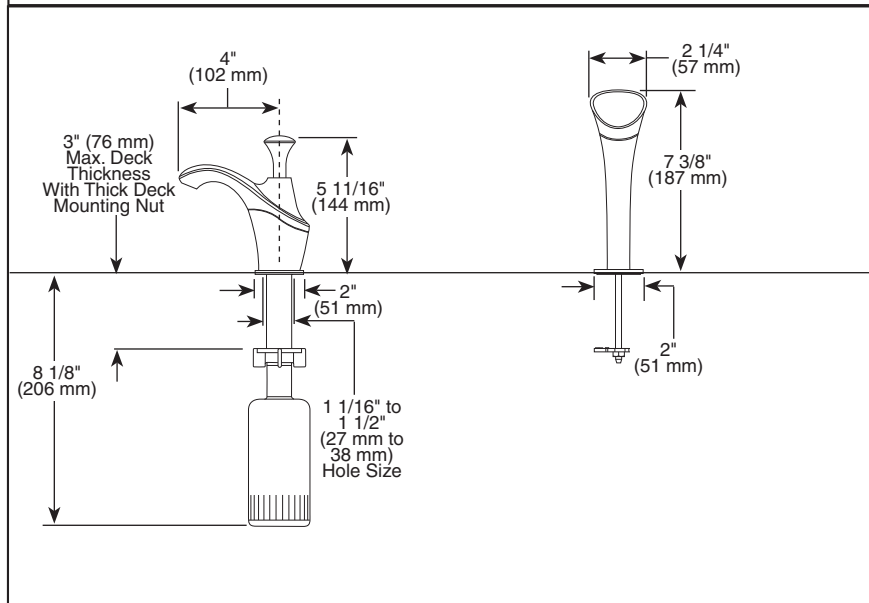
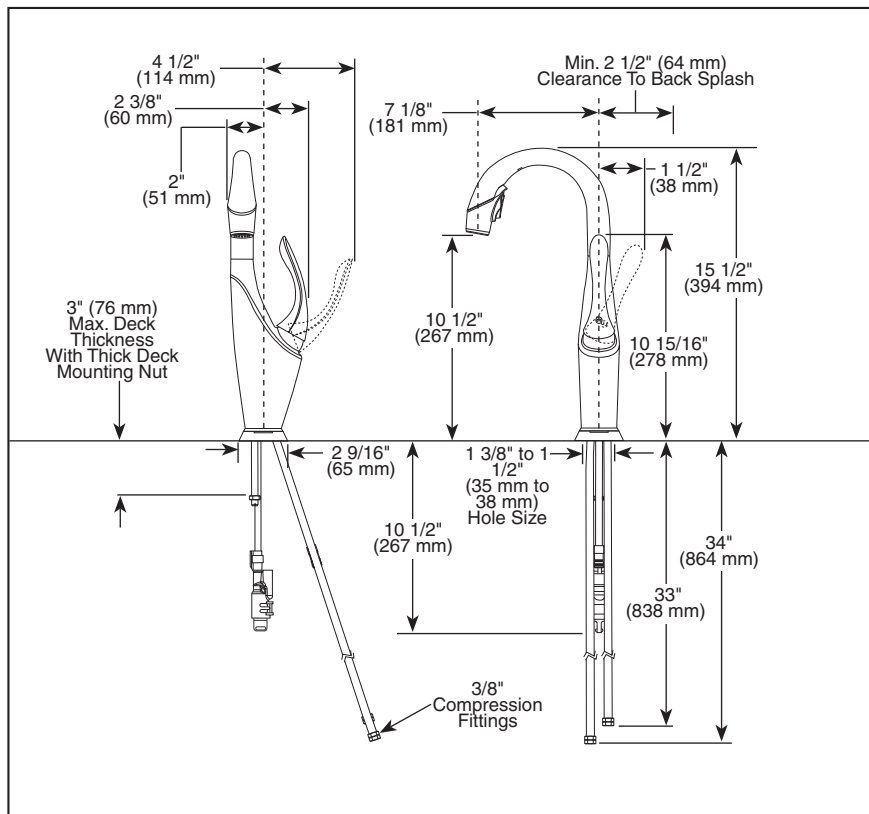


Submitted Model No.: _____

Specific Features: _____



▲ Designate proper finish suffix
Delta reserves the right (1) to make changes in specifications and materials, and (2) to change or discontinue models, both without notice or obligation. Dimensions are for reference only. See current full-line price book or www.brizo.com for finish options and product availability.

BSP-K-64955LF Rev. B

BRIZO® KITCHEN FAUCETS

- Vuelo™ Collection
- Single Handle Deck Mount
- 2-Function Pull-Down
- Single, 2, 3, or 4 Hole Sink Applications
- Centermount
- Optional Vase and Soap Dispenser
- MagneDock® Magnetic Docking

STANDARD SPECIFICATIONS:

- Single handle, 2-function pull-down kitchen faucets for mounting on single, two, three, and four hole sinks.
- Smart Touch on/off functionality.
- On-off indicator light also signals when batteries run low.
- 15 1/2" (394 mm) high, 7 1/8" (181 mm) long, spout swings 360°.
- Lever handle. Control mechanism shall be full-motion valve cartridge.
- Touch-Clean® sprayhead.
- Quick connect hoses.
- Pull-down wand operates in an aerated or spray mode via ergonomic button.
- MagneDock® magnetic docking.
- Thin deck mounting aid to help secure product if used on thin sinks.
- Dual integral check valves in adapter assembly.
- Spacer for mounting nut to reduce number of turns required for installation.
- Mounting wrench to assist in tightening mounting nut securely.
- Hose travels inside mounting shank so it will not interfere with deck edges.

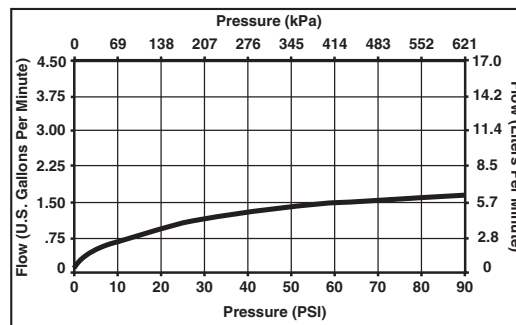
WARRANTY

- Lifetime Faucet and Finish Limited Warranty to the original consumer purchaser to be free from defects in material and workmanship.
- 5 Year Limited Warranty for usage in all industrial, commercial and business applications.
- 5 Year Limited Warranty on electronics.



COMPLIES WITH:

- ASME A112.18.1 / CSA B125.1
- ASME A112.18.6
- ☒ Indicates compliance to ICC/ANSI A117.1
- Verified compliant with .25% weighted average Pb content regulations.



Delta Faucet Company
Indianapolis, Indiana 46280
A Division of Masco Corporation of Indiana
© 2011 Masco Corporation of Indiana