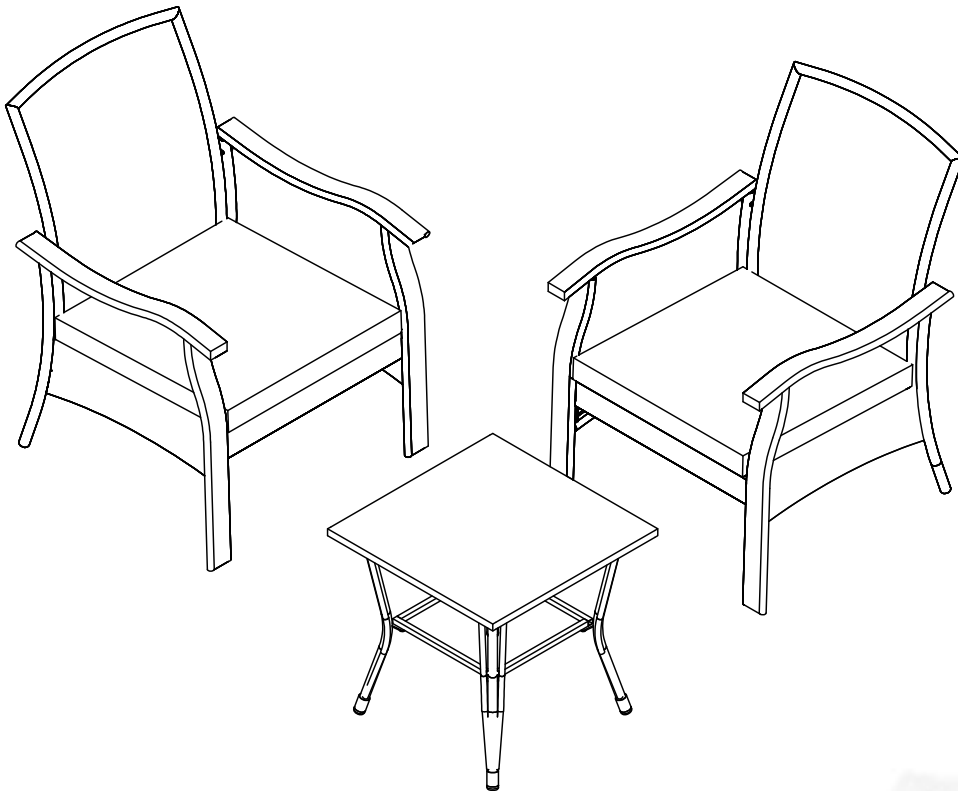


Miles Deep Seating Chat Set

Item#: 63362



ATTACH YOUR RECEIPT HERE

Keep a copy of your proof of purchase or order confirmation which will be needed if you need to contact us about warranty coverage.

Purchase Date: _____



SAVE THESE INSTRUCTIONS FOR FUTURE REFERENCE.



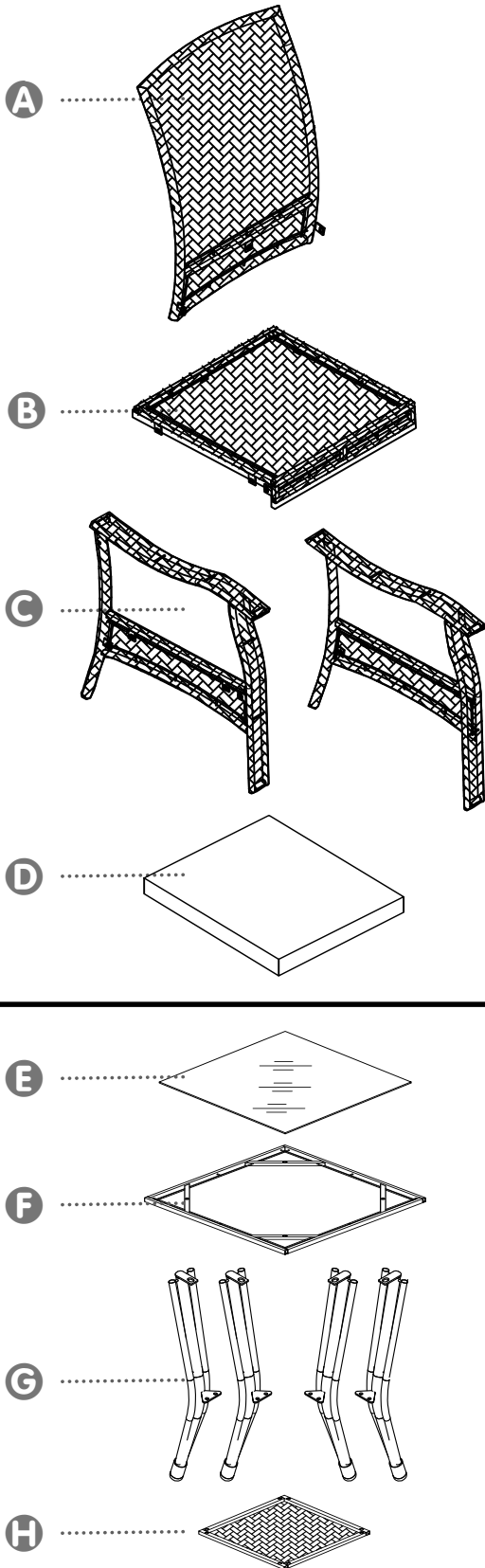
Questions, problems, missing parts?

Before returning to your retailer, our exceptional customer service is available.

Call toll-free	(866) 985-7877	9 a.m. – 9 p.m., EST
Email	cservice@welltraveled.net	
Live chat	www.balkenehome.com	9 a.m. – 6 p.m., EST, Monday – Friday

PACKAGE CONTENTS

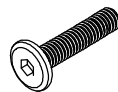
BALKENE —HOME—



PART	DESCRIPTION	QUANTITY
A	Backrest	2
B	Seat	2
C	Side (Left/Right)	4
D	Cushion	2
E	Table Glass	1
F	Table Top	1
G	Legs	4
H	Shelf	1



HARDWARE CONTENTS



J

M6x50 Bolt
Qty: 4



K

M6x20 Bolt
Qty: 18



L

M6x15 Bolt
Qty: 12



M

Washer
Qty: 34



Hex Wrench

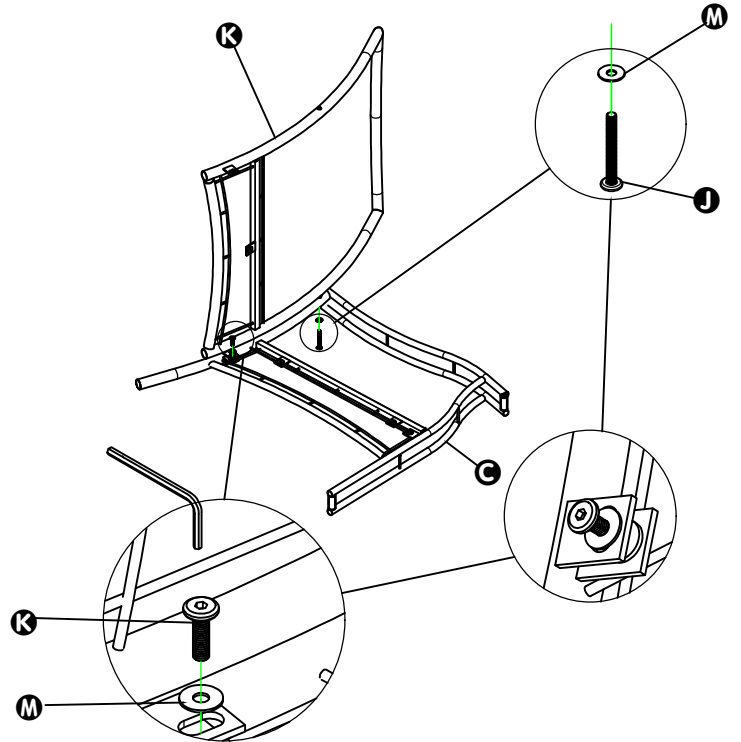
1 Join the **Right Side C** to the **Backrest A**. Insert a **Bolt J** with **Washer M** through the hole at the rear of the arm rest and into the upper hole in the right side of the **Backrest**. Gently tighten with the **Hex Wrench** but do not fully tighten.

Then, insert a **Bolt K** with **Washer** through the eyelet near the bottom of the right side of the **Backrest** and into the eyelet on the inside of the wicker panel on the **Right Side**. Gently tighten with the **Hex Wrench** but do not fully tighten.



Hardware Used:

- J** Bolt (M6x50) x1
- K** Bolt (M6x20) x1
- M** Washer x2

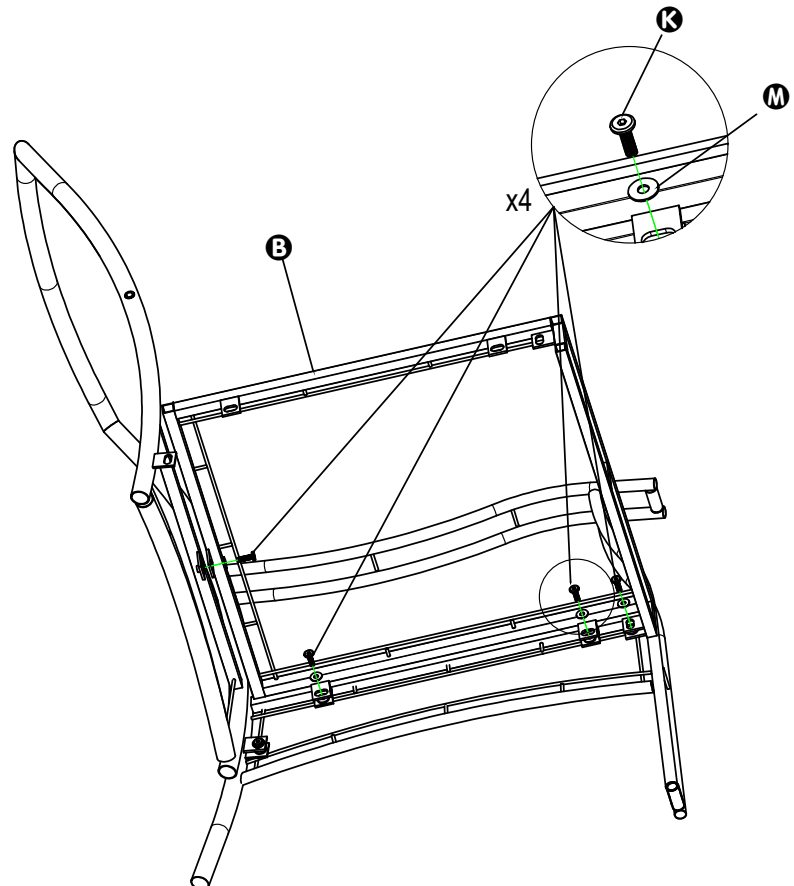


2 Connect the **Seat B** to the partially-assembled frame by inserting a **Bolt K** with **Washer M** into each of the paired sets of eyelets (one at the center of the **Backrest** and 3 along the **Right Panel**). Gently tighten with the **Hex Wrench** but do not fully tighten.



Hardware Used:

- K** Bolt (M6x20) x4
- M** Washer x4

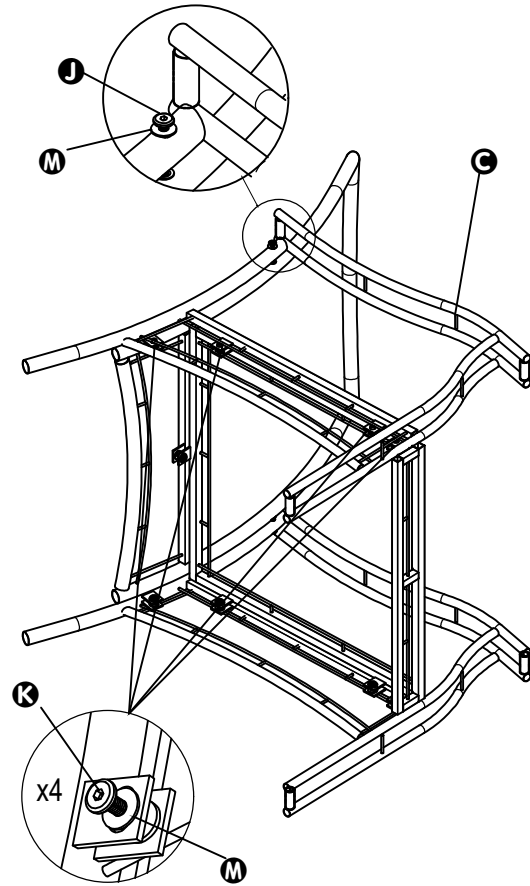


3 To install the **Left Side C**, align the metal tab eyelets along the inside of the **Left Side** wicker panel with the eyelets on the left underside of the **Seat** and near the bottom of the left side of the **Backrest**.

Insert a **Bolt K** with **Washer M** to join each of the 4 paired sets of eyelets. Gently tighten with the Hex Wrench but do not fully tighten.

Secure the back of the **Left Side** armrest to the **Backrest** by inserting a **Bolt J** with **Washer M** through the hole just beneath the armrest and into the **Backrest**. Gently tighten with the **Hex Wrench** but do not fully tighten.

Now that all hardware is installed, turn the chair upright and check that it sits squarely on the ground. Adjust hardware as necessary, then fully tighten all bolts.

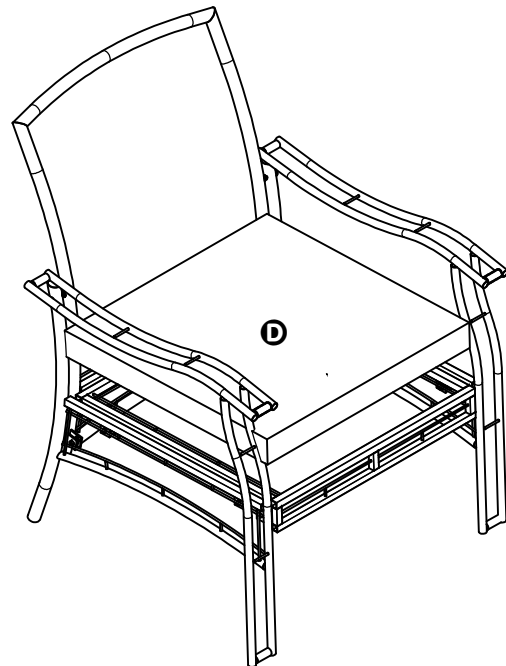


Hardware Used:

- J** Bolt (M6x50) x1
- K** Bolt (M6x20) x4
- M** Washer x5

4 Place the **Cushion D** on the assembled chair. Your Miles Chair is complete!

Follow the previous instructions to assemble the second chair.



1 On a nonabrasive surface, turn the **Tabletop** **F** upside-down. Attach a **Leg** **G** to each corner brace of the **Tabletop** as shown, by inserting a **Bolt** **L** with **Washer** **M** through the metal eyelet and into the brace. Leave the hardware loosely installed until all parts are connected.

Align the corners of the **Shelf** **H** with the triangular supports on the inside of each **Leg**. Connect the corners to the brackets inserting 2 **Bolts** **L** with **Washers** **M** through the eyelets in the supports and into the threaded holes in the underside of the **Shelf**.

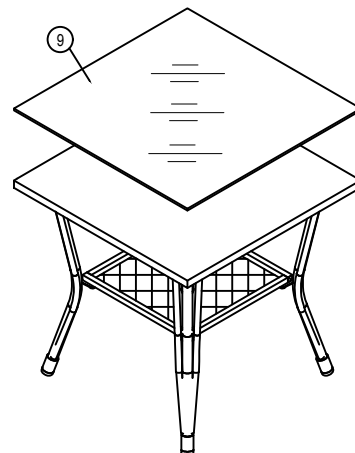
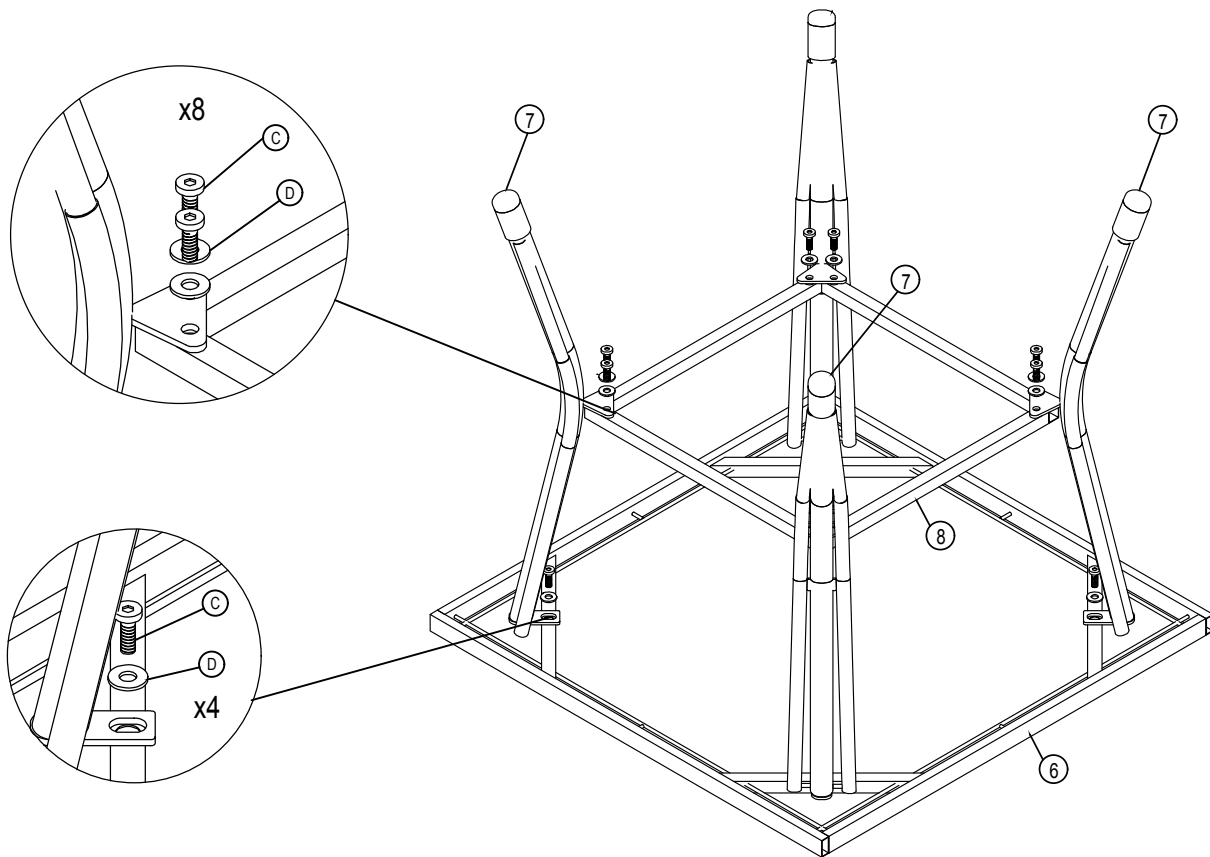
Turn the table upright, checking that it sits squarely on the ground. Adjust alignment as necessary, then tighten all hardware using the **Hex Wrench**.



Hardware Used:

L Bolt (M6x15) x12

M Washer x12



2 Carefully place the **Table Glass** **B** on top of the assembled table.

Your **Miles Chat Set** is complete!

BALKENE —HOME—



LIMITED WARRANTY

Customers in the Contiguous US

With proof of purchase from an authorized retailer, this product is warranted for a period of 1 year from original purchase date against defects in materials and workmanship under normal use. This warranty does NOT cover normal wear/weathering, exposure to water, freezing temperatures, oils, fluids, or chemicals OR use in a commercial context if the unit is not designated as a commercial model. At Balkene Home's sole discretion, products under warranty will be repaired and/or replaced at no charge to the customer. Returns sent back to Well Traveled Living must be sent via prepaid freight in the original retail packaging.

For warranty service, contact Balkene Home at the address, phone numbers or website and email listed in this owner's manual. Be sure to have your sales receipt, date of purchase and catalogue/model numbers available when calling. All warranty service will be coordinated by Balkene Home's Amelia Island, Florida service center. This warranty is extended only to the original owner. Proof of purchase will be required before warranty service is rendered. The sales receipt is the only valid proof of purchase. This warranty only covers failures due to defects in materials or workmanship which occur during normal use. Failures and/or damage which result from accident, negligence, misuse, abuse, neglect, mishandling, alteration or modification, failure to maintain, improper assembly or maintenance, service by unauthorized agency or use of unauthorized components or damage that is attributable to acts of God are NOT covered.

This limited warranty gives you specific legal rights and you may also have other rights which vary from jurisdiction to jurisdiction. The provisions of the United Nations Convention on Contracts for the Sales of Goods shall not apply to this limited warranty or the sale of products covered by this limited warranty.

- THERE ARE NO EXPRESS WARRANTIES EXCEPT AS LISTED.
- PURCHASER ASSUMES ALL RISKS IN THE ASSEMBLY AND OPERATION OF THIS UNIT.
- FAILURE TO FOLLOW WARNINGS AND OPERATIONAL INSTRUCTIONS CONTAINED IN THIS MANUAL CAN RESULT IN SEVERE PROPERTY DAMAGE AND/OR PERSONAL INJURY.
- IN NO EVENT WILL BALKENE HOME/WELL TRAVELED LIVING, OR ITS DIRECTORS, OFFICERS OR AGENTS BE LIABLE TO THE PURCHASER OR ANY THIRD PARTY, WHETHER IN CONTRACT, IN TORT, OR ON ANY OTHER BASIS, FOR ANY INDIRECT, SPECIAL, PUNITIVE, EXEMPLARY, CONSEQUENTIAL, OR INCIDENTAL LOSS, COST, OR DAMAGE ARISING OUT OF OR IN CONNECTION WITH THE SALE, MAINTENANCE, USE, OR INABILITY TO USE THE PRODUCT, EVEN IF BALKENE HOME/WELL TRAVELED LIVING OR ITS DIRECTORS, OFFICERS OR AGENTS HAVE BEEN ADVISED OF THE POSSIBILITY OF SUCH LOSSES, COSTS OR DAMAGES, OR IF SUCH LOSSES, COSTS, OR DAMAGES ARE FORESEEABLE. IN NO EVENT WILL BALKENE HOME/WELL TRAVELED LIVING, OR ITS OFFICERS, DIRECTORS, OR AGENTS BE LIABLE FOR ANY DIRECT LOSSES, COSTS OR DAMAGES THAT EXCEED THE PURCHASE PRICE OF THE PRODUCT.
- SOME JURISDICTIONS DO NOT ALLOW THE EXCLUSION OR LIMITATION OF INCIDENTAL OR CONSEQUENTIAL DAMAGES, SO THE ABOVE LIMITATION OR EXCLUSION MAY NOT APPLY TO THE PURCHASER.

EXTEND YOUR WARRANTY

When you purchase a Fire Sense or Balkene Home product from any authorized retailer, you'll have peace of mind in knowing that it comes with a one-year warranty. Extend your warranty for *an additional year* when you review your item at balkenehome.com within 365 days of purchase.



Important Notice

Do NOT return to place of purchase—for customer service and warranty issues:

Call toll-free (866) 985-7877 9 a.m. – 9 p.m., EST
Email cservice@welltraveled.net
Live chat balkenehome.com 9 a.m. – 6 p.m., EST, Monday – Friday

Distributed by:
Well Traveled Living
716 S 8th Street, Amelia Island, FL 32034
balkenehome.com
cservice@welltraveled.net
(866) 985-7877