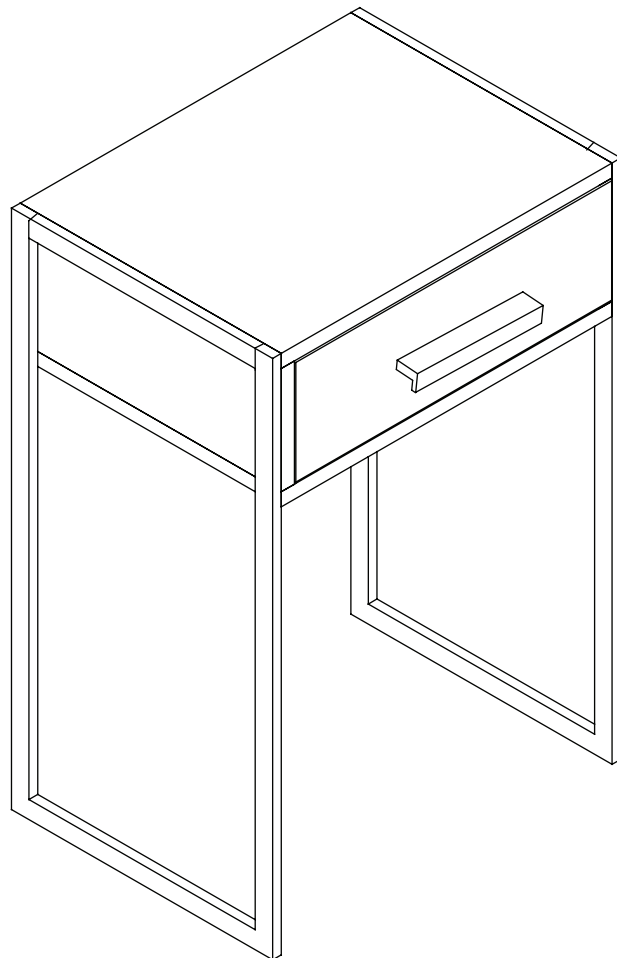


TRIBECA COLLECTION
BEDSIDE TABLE

Item#: 62760

avalon
HOME



ATTACH YOUR RECEIPT HERE

Keep a copy of your proof of purchase or order confirmation which will be needed if you need to contact us about warranty coverage.

Purchase Date: _____



SAVE THESE INSTRUCTIONS
FOR FUTURE REFERENCE.



Questions, problems, missing parts?

Before returning to your retailer, our exceptional customer service is available.

Call us toll-free at **(866) 985-7877**, email us at **cservice@welltraveled.net**, or go online and live chat at **www.wtliving.com**. Our hours are: **9 a.m. – 6 p.m., EST, Monday – Friday.**

Manual updated Feb 2019



BEFORE YOU BEGIN

Before beginning assembly, make sure all parts are present. Compare parts received with the “Parts List.” If any part is missing or damaged, do NOT attempt to assemble the product. Please read and understand this entire manual before attempting to assemble this product. If you have any questions regarding the product, please call us toll-free at **(866) 985-7877**, email us at cservice@welltraveled.net, or go online and live chat at www.wtliving.com. Our hours are: **9 a.m. – 6 p.m., EST, Monday – Friday.**



GENERAL INFORMATION

This item is made of hollow board and a metal frame. For safe assembly, set up on a dry, soft, secure and clean surface. Do not clean with detergent or chemicals. Do not place hot items such as coffee cups directly on the surface of this furniture item. Keep away from direct sunlight and water. Do not drag the table. For indoor use only.



SAFETY INFORMATION

WARNING

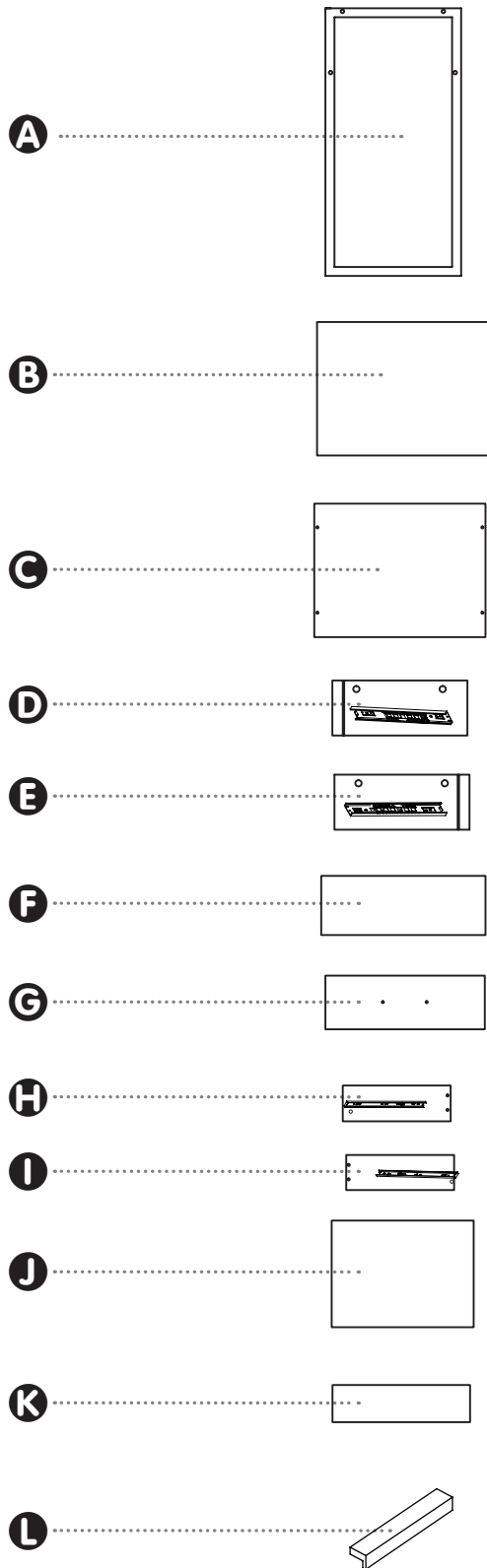
DO NOT sit or stand or allow children to sit or stand on the assembled product. Make sure connectors are securely in place. Perform periodic checks to make sure the connectors are secure and adjust if needed. Keep unassembled parts and hardware away from children and infants. This package contains small parts and sharp points. Adult assembly required.

CAUTION

READ all instructions before beginning assembly. Failure to do so may result in faulty assembly and potential injury. Assemble the item on a soft, non-abrasive surface such as carpet or cardboard to avoid damaging the item.

Max safe load limit: Tabletop: 20 KG / 44 LB and Drawer: 5 KG / 11 LB.









PARTS LIST



PART	DESCRIPTION	QUANTITY
A	Leg Frame	2
B	Table Top	1
C	Table Bottom	1
D	Table Side (Right)	1
E	Table Side (Left)	1
F	Table Back	1
G	Drawer Front	1
H	Drawer Side (Right)	1
I	Drawer Side (Left)	1
J	Drawer Bottom	1
K	Drawer Back	1
L	Drawer Handle	1



HARDWARE CONTENTS

 M Screw M7x48mm Qty: 8	 N Cam Lock Nut Qty: 6	 O Cam Bolt Qty: 6	 P Screw M4x40mm Qty: 4
 Q Dowel Qty: 6	 R Screw M4x20mm Qty: 2	<p>YOU WILL NEED FOR ASSEMBLY: (not included)</p> <p>Rubber Mallet <i>(If none is available, use a hammer, but add padding as necessary to protect parts and surfaces.)</i></p> <p>Phillips-head Screwdriver</p>	
 S Screw M4x30mm Qty: 4	 T Hex Key Qty: 1		

ASSEMBLY



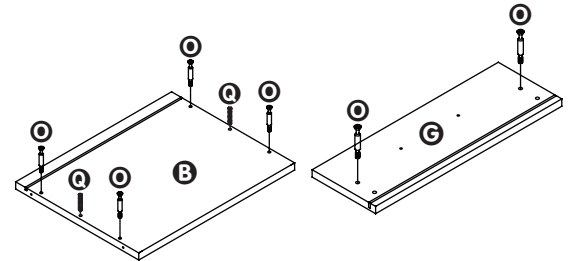
PREPARATION

Before beginning assembly, be sure to empty contents of carton and make sure all parts are present. If any parts are missing, please contact Customer Service at (866)-985-7877, Monday-Friday, 9 a.m. - 6 p.m. EST or email at cservice@welltraveled.net.

Place all parts on a soft, level surface for assembly. You will need a **Phillips™ xQp screwdriver** for assembly.

Estimated Assembly Time: 10 Minutes | DO NOT over tighten hardware!

- 1** Locate the **Table Top** **B** and place it so the side with drilled holes face up. Insert and tighten 4 **Cam Bolts** **C** into the 4 holes closest to the corners of the **Table Top** as shown. Insert 2 **Dowels** **A** in the remaining 2 holes midway down the shorter sides, as shown. Be sure the **Dowels** are firmly inserted by gently tapping with a rubber mallet.



Locate the **Drawer Front** **G** and place it so the side with drilled holes face up. Insert and tighten 2 **Cam Bolts** in the holes near the middle of each short edge as shown. Set aside.

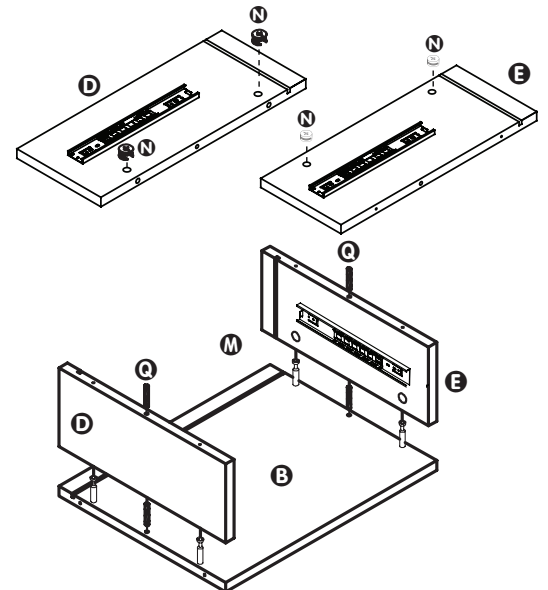
Hardware Used:
● **Cam Bolt** x 6
● **Dowel** x 2

- 2** Locate the **Table Sides** **D/E** and insert 4 **Cam Lock Nuts** **N** into the holes below the pre-installed drawer track on each piece. Turn **Cam Lock Nuts** so the arrow points toward the adjoining hole drilled in the bottom edge.

Align the groove in **Table Side (Right)** **D** perpendicularly to the groove in the **Table Top** and slide the **Table Side** onto the hardware installed earlier, as shown. Secure the **Table Side** to the **Table Top** by turning the **Cam Lock Nuts** clockwise until tight.

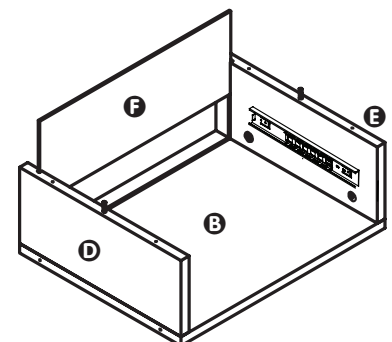
Repeat to install the **Table Side (Left)** **E**.

Insert a **Dowel** **A** into the hole drilled in the center of the top edge of each **Table Side**. Be sure the **Dowels** are firmly inserted by gently tapping with a rubber mallet.



Hardware Used:
● **Cam Lock Nut** x 4
● **Dowel** x 2

- 3** Slide the **Table Back** **F** into the groove formed by the **Table Sides** **D/E** and **Table Top** **B** as shown. Make sure it is securely and squarely seated in the bottom of the groove.



ASSEMBLY

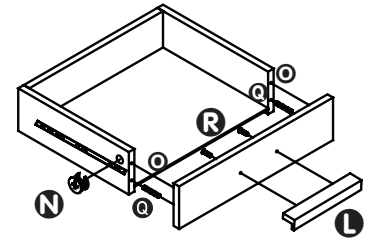


7 Locate **Drawer Front** **ⓐ** and lay flat so the side with 6 holes faces up. Insert **Cam Bolts** **ⓑ** into the upper hole along each short side and tighten with a screwdriver. Insert **Dowels** **ⓒ** into the 2 holes just below the **Cam Bolts**. Be sure the **Dowels** are firmly inserted by gently tapping with a rubber mallet.

Attach the **Drawer Handle** **ⓓ** using two **Screws** **ⓔ** as shown.

Insert **Cam Lock Nuts** **ⓕ** in the hole above the drawer runner on each **Drawer Side**. Turn so the small arrow points toward the adjoining hole in the edge of the **Drawer Side**.

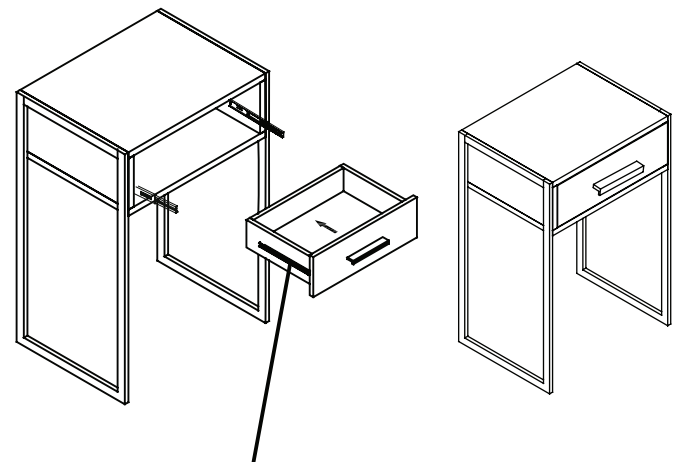
Insert the **Cam Bolts** and **Dowels** on the **Drawer Front** into the holes drilled in the edge of each **Drawer Side**. Turn the **Cam Lock Nuts** clockwise with a screwdriver to tighten.



- Hardware Used:**
- ⓕ Cam Lock Nut × 2
 - ⓑ Cam Bolt × 2
 - ⓒ Dowel × 2
 - ⓔ Screw (M4x20mm) × 2

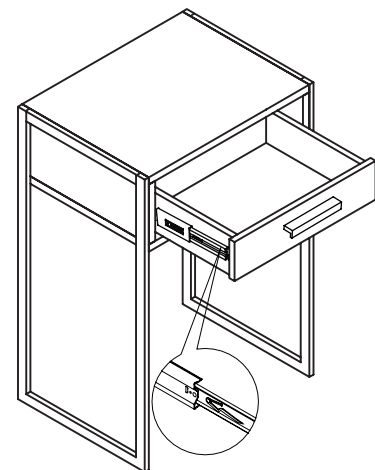
8 Install the drawer by aligning the drawer runners with the drawer tracks as shown and pushing all the way in to attach the runners to the tracks.

Your **Tribeca Collection Bedside Table** is ready for use!



Ensure the drawer runners are aligned.

9 If needed, the drawer can be removed (e.g. for cleaning). Open the drawer all the way, then lift and press the levers on both drawer tracks at the same time to pull the drawer all the way out.



Lift/press the levers to remove the drawer.



LIMITED WARRANTY

Customers in the Contiguous US

This product is warranted for a period of 1 year from original purchase date against defects in materials and workmanship under normal use. This warranty does NOT cover normal wear/weathering, exposure to water, freezing temperatures, oils, fluids, or chemicals, OR use in a commercial application if model is not designated as a commercial model. At Well Traveled Living's sole discretion, products under warranty will be repaired and/or replaced at no charge to the customer. Returns sent back to Well Traveled Living must be sent via prepaid freight in the original retail packaging.

For warranty service, contact Well Traveled Living at the address, phone numbers or website and email listed in this owner's manual. Be sure to have your sales receipt, date of purchase and catalogue/model numbers available when calling. All warranty service will be coordinated by Well Traveled Living's, Amelia Island, Florida service center. This warranty is extended only to the original owner. Proof of purchase will be required before warranty service is rendered. The sales receipt is the only valid proof of purchase. This warranty only covers failures due to defects in materials or workmanship which occur during normal use. Failures and/or damage which result from accident, negligence, misuse, abuse, neglect, mishandling, alteration or modification, failure to maintain, improper assembly or maintenance, service by unauthorized agency or use of unauthorized components or damage that is attributable to acts of God are NOT covered.

This limited warranty gives you specific legal rights and you may also have other rights which vary from jurisdiction to jurisdiction. The provisions of the United Nations Convention on Contracts for the Sales of Goods shall not apply to this limited warranty or the sale of products covered by this limited warranty.

- THERE ARE NO EXPRESS WARRANTIES EXCEPT AS LISTED
- PURCHASER ASSUMES ALL RISKS IN THE ASSEMBLY AND OPERATION OF THIS UNIT
- FAILURE TO FOLLOW WARNINGS AND OPERATIONAL INSTRUCTIONS CONTAINED IN THIS MANUAL CAN RESULT IN SEVERE PROPERTY DAMAGE AND/OR PERSONAL INJURY
- IN NO EVENT WILL WELL TRAVELED LIVING, OR ITS DIRECTORS, OFFICERS OR AGENTS BE LIABLE TO THE PURCHASER OR ANY THIRD PARTY, WHETHER IN CONTRACT, IN TORT, OR ON ANY OTHER BASIS, FOR ANY INDIRECT, SPECIAL, PUNITIVE, EXEMPLARY, CONSEQUENTIAL, OR INCIDENTAL LOSS, COST, OR DAMAGE ARISING OUT OF OR IN CONNECTION WITH THE SALE, MAINTENANCE, USE, OR INABILITY TO USE THE PRODUCT, EVEN IF WELL TRAVELED LIVING OR ITS DIRECTORS, OFFICERS OR AGENTS HAVE BEEN ADVISED OF THE POSSIBILITY OF SUCH LOSSES, COSTS OR DAMAGES, OR IF SUCH LOSSES, COSTS, OR DAMAGES ARE FORESEEABLE. IN NO EVENT WILL WELL TRAVELED LIVING, OR ITS OFFICERS, DIRECTORS, OR AGENTS BE LIABLE FOR ANY DIRECT LOSSES, COSTS OR DAMAGES THAT EXCEED THE PURCHASE PRICE OF THE PRODUCT.
- SOME JURISDICTIONS DO NOT ALLOW THE EXCLUSION OR LIMITATION OF INCIDENTAL OR CONSEQUENTIAL DAMAGES, SO THE ABOVE LIMITATION OR EXCLUSION MAY NOT APPLY TO THE PURCHASER.

EXTEND YOUR WARRANTY

When you purchase a Fire Sense, Patio Sense, or Avalon Home product, you have the peace of mind in knowing that it comes with a one-year warranty. Extend your warranty for **an additional year** when you write a review of your purchase on www.wtliving.com within 365 days of purchase.



Important Notice

Do NOT return to place of purchase—for customer service and warranty issues contact our Customer Service Center at (866) 985-7877 or cservice@welltraveled.net, or go online and live chat at wtliving.com. Hours are: 9 a.m. – 6 p.m., EST, Monday – Friday.

Distributed by:

Well Traveled Living
716 S 8th Street, Amelia Island, FL 32034
wtliving.com | cservice@welltraveled.net
(866) 985-7877