

CRYSTORAMA

1958

95 Cantiague Rock Road, Westbury NY 11590
 Ph: 516.931.9090 Fax: 516.931.1254
info@crystorama.com www.crystorama.com

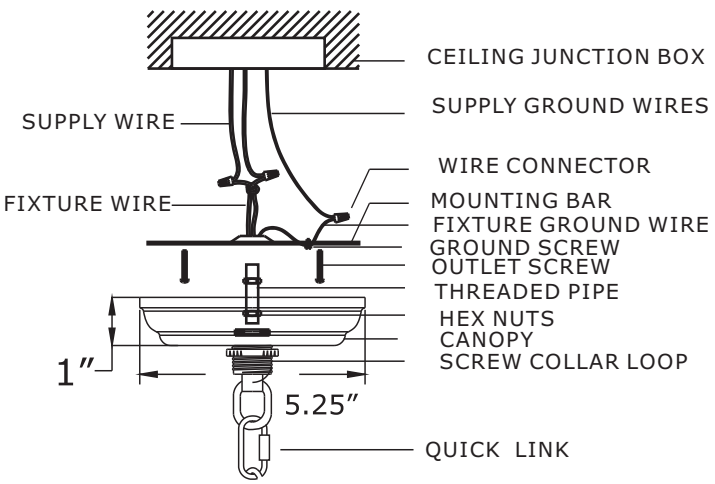
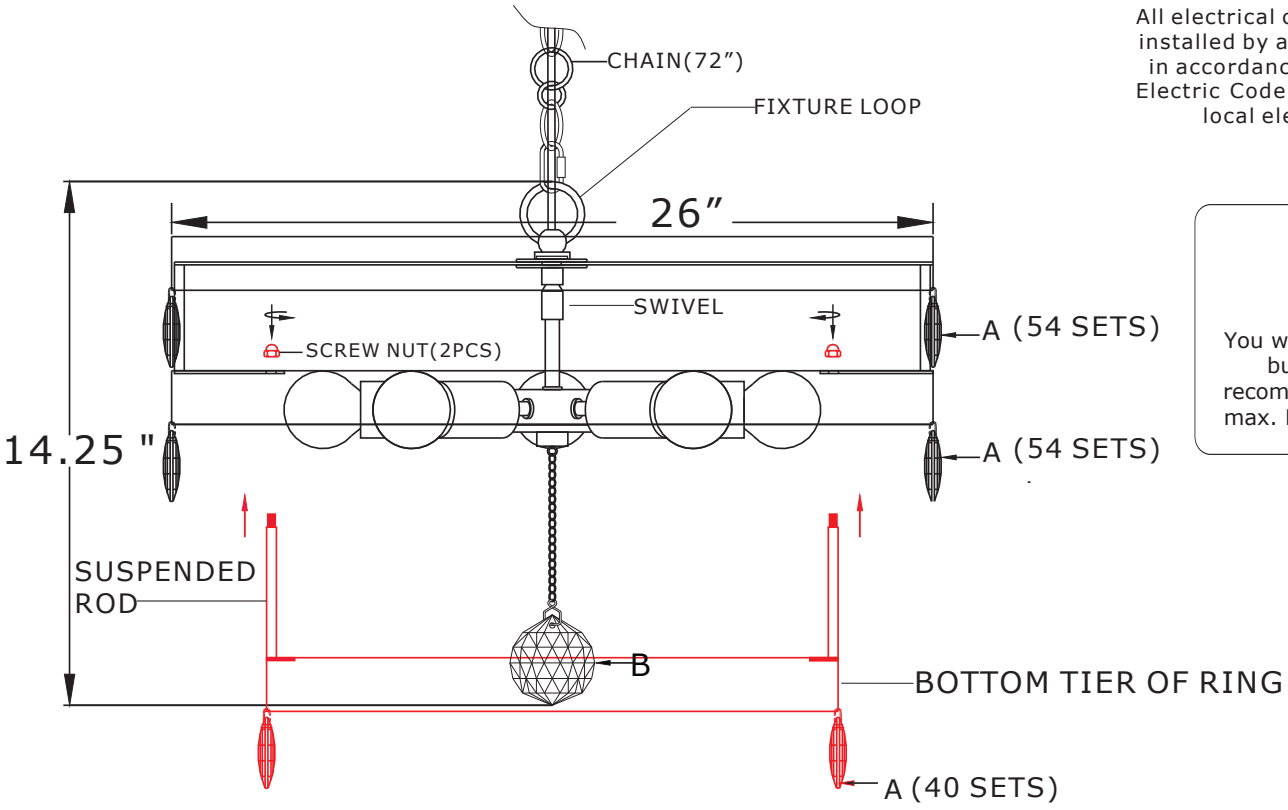
MODEL#: 6108-GA ASSEMBLY AND DRESSING INSTRUCTIONS

WARNING:

Electrical Danger Turn Power off

All electrical components must be installed by a licensed electrician in accordance with the National Electric Code and the appropriate local electrical codes.

You will need 6 Medium bulbs. 40 Watts recommended 60 Watts max. Bulb not included.



A= (CUT CRYSTAL 2")x 148 SETS (+) (3 SPARES)

B= (6" CHAIN + CUT CRYSTAL BALL 2") x 1 SET