

## SELECTRONIC® SENSOR-OPERATED URINAL FLUSH VALVE, 1.0 GPF PWRX™ 10-YEAR BATTERY SYSTEM



**PWRX**

### GENERAL DESCRIPTION:

Exposed, sensor-operated Selectronic® Urinal Flush Valve for 3/4" top spud urinals. PWRX 10-Year Battery System.

### PRODUCT FEATURES:

- **PWRX™ Battery System:** Advanced battery & electronics reduce the downtime and maintenance costs associated with changing batteries
- **Safety Circuitry** prevents overheating of the battery in case of short circuit, protecting the electronics
- **Pressure Compensation** feature ensures accurate flush volume regardless of inlet water pressure
- **No Routine Maintenance:** no diaphragms to replace; no filters to clean
- **Self-Cleaning Piston** with integral wiper spring significantly reduces clogging and maintenance
- **Selectronic® Proximity System** with universal sensor provides hygienic, "hands free" operation
- **Dezincification Resistant** semi-red brass alloy
- **Fully Mechanical Manual Override Button** can flush the valve without power
- **Fail-Safe:** Valve automatically closes upon loss of power or water pressure and does not need to be reset
- **Adjustable Sanitary Flush** cleans the fixture & maintains the trap seal.
- **Stadium Feature:** Valve automatically switches to water savings mode during periods of heavy usage
- **Chemical Resistant EPDM Seals** for extended life
- **High Back Pressure Vacuum Breaker**
- **Adjustable Tailpiece**
- **Range can be adjusted manually or with optional remote control**
- **No external volume adjustment**
- **Can be installed left or right handed**

### MODEL NUMBER:

- ❑ **6064.101.002** Exposed, sensor-operated urinal flush, 1.0 gpf.

Inlet includes 3/4" sweat solder kit and angle stop with back flow protection and vandal-resistant cap.

Outlet includes 3/4" high back pressure vacuum breaker with spud coupling and flange.

- ❑ **6064.510.002** Retrofit Valve Only, 1.0 gpf.

### OPERATING PRESSURE:

Overall Range: 20-125 psi\*\*

Recommended: 20 psi (flowing) - 80 psi (static)

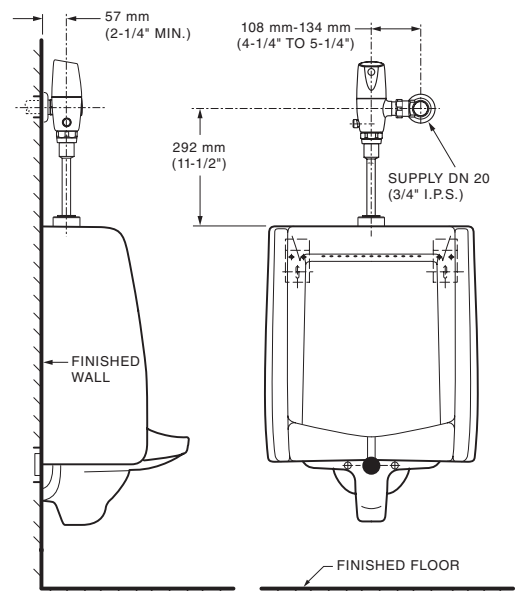
\*\* Water pressure over 80 psi is not recommended for most plumbing fixtures.

### FLOW REQUIREMENT:

10 gpm (37.9 L/min.)

### BATTERY LIFE:

10 years (4,000 flushes per month)



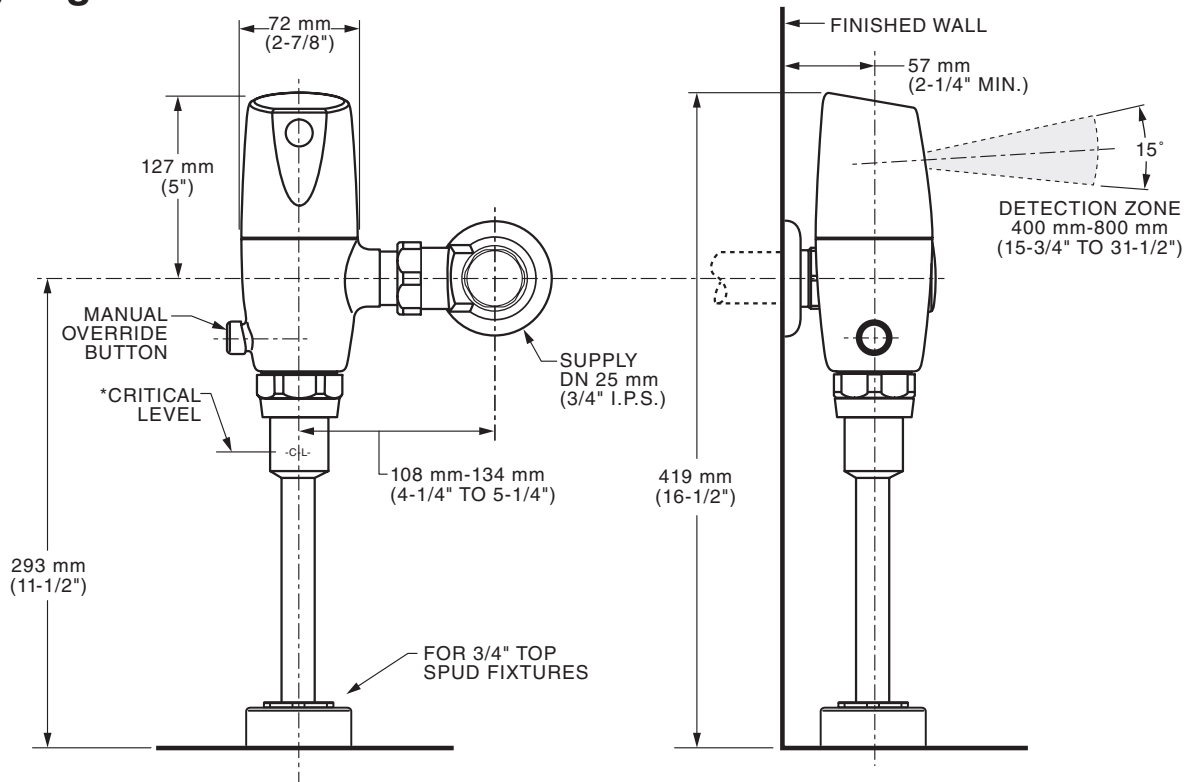
### RECOMMENDED SPECIFICATION:

Electronic, sensor activated urinal flush valve shall feature self-cleaning piston valve with integral wiper spring in refill orifice to prevent clogging. Includes a long-life battery pack (with 10 year life) and fully mechanical manual override that can flush the valve without power. Includes semi-red brass valve body and metal cover with chrome finish. Includes angle stop with back-flow protection & vandal-resistant cap. Sweat solder kit and high back pressure vacuum breaker also included. 1.0 gpf / 3.8 Lpf flush valve shall be American Standard Model # 6064.101.002.

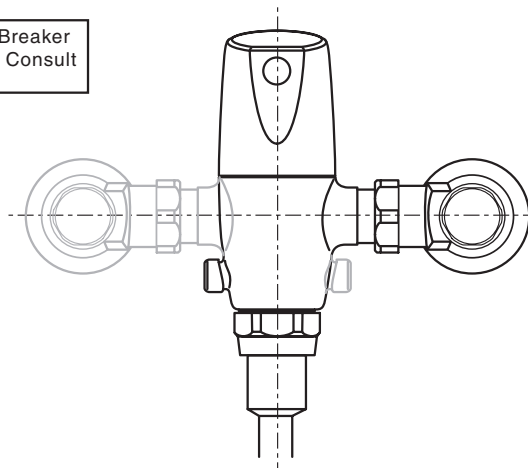
**LISTINGS:**

- ASSE 1037
- ANSI/ASME A112.19.2
- ADA Compliant

**Roughing-in Dimensions**



\*Note: The Critical Line (-C-L-) on Vacuum Breaker must typically be 6" (152mm) above fixture. Consult Codes for details.



**Right or Left Hand Installation**

 MEETS THE AMERICANS WITH DISABILITIES ACT GUIDELINES AND ANSI A117.1 REQUIREMENTS FOR ACCESSIBLE AND USABLE BUILDING FACILITIES-CHECK LOCAL CODES