

CRYST RAMA



1958

95 Cantiague Rock Road, Westbury NY 11590

ph: 516.931.9090 fax: 516.931.1254

info@crystoram.com . www.crystorama.com

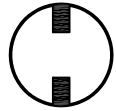
MODEL#: 5973-SL

ASSEMBLY AND DRESSING INSTRUCTIONS

WARNING:

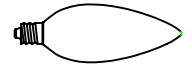


Electrical Danger



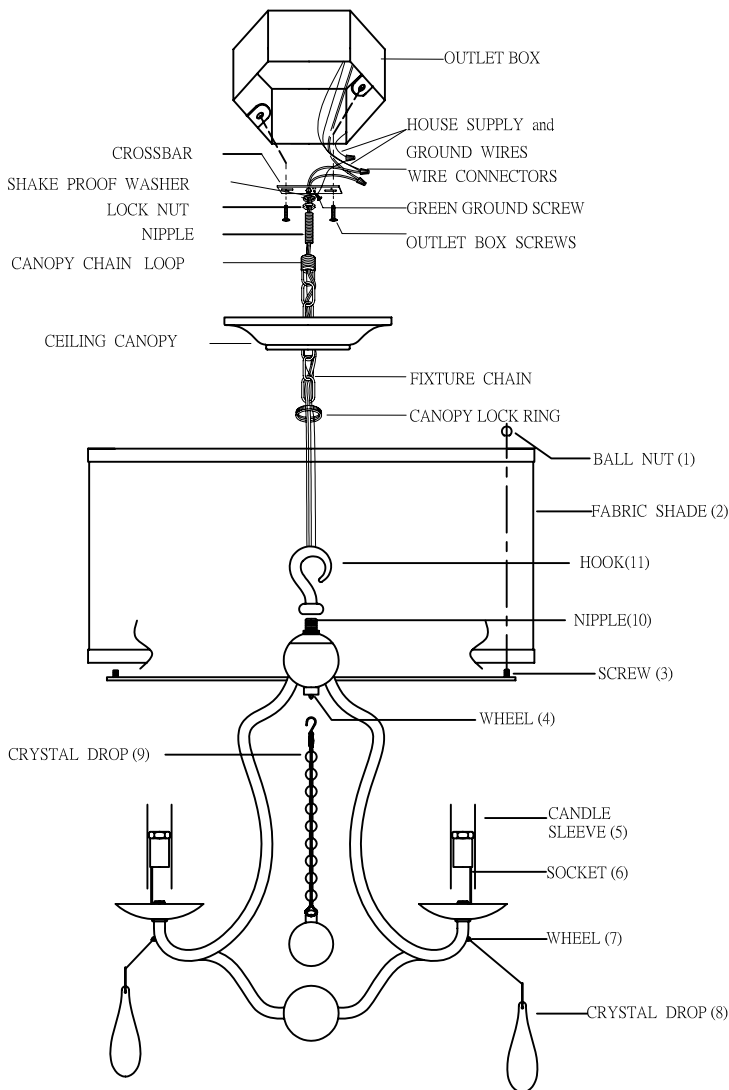
Turn Power Off

All electrical components must be installed by a licensed electrician in accordance with the National Electric Code and the appropriate local electrical codes.

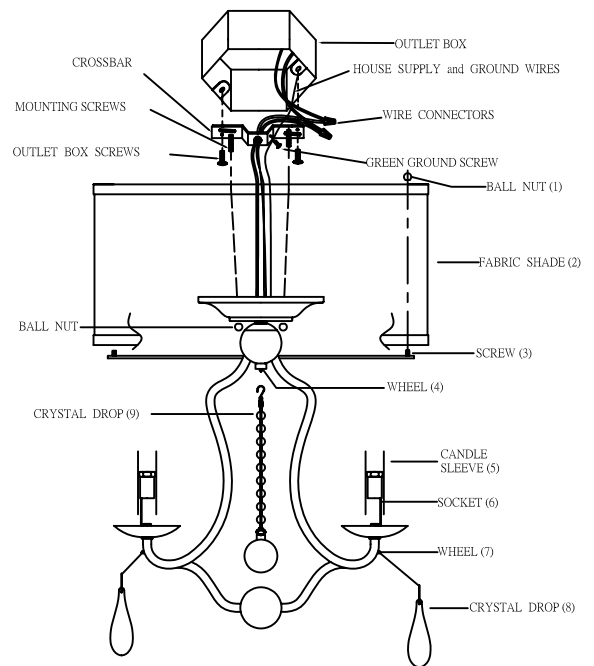


You will need 3-cand. Bulb
60 Watts Recommended
(Bulb not included)

HANGING



CEILING



CRYSTAL DROP (8) = (1 X 27*82mm drop)*3pcs

CRYSTAL DROP (9) = (9 X 10mm+1 X 40mm drop)*1pc

2015.01

FIXTURE ASSEMBLY, MOUNTING, AND WIRING INSTRUCTIONS:

HANGING

Carefully remove the fixture out of the carton and check that all parts are included, referring to the above illustration. Make sure that the electricity is turned off.

Split the conductors of the fixture wire about 4 inches but be careful not to expose any of the wire inside of the insulation.

- 1: Connect the fixture ground wire to the outlet box ground wire using the wire nut. Connect the outlet box ground wire to the crossbar with the green hex-head ground screw to pre-tapped hole in the crossbar marked "GND".
- 2: Connect the half of the fixture wire that is white, marked, or has a ribbed surface, to the outlet box supply wire (WHITE). Connect the other half of the fixture wire that is black, unmarked, or has a smooth surface, to the outlet box supply wire (BLACK or RED). Use wire nut provided.
- 3: Spread the electrical splices so that the black wire is on one side of the outlet box and the white wire is on the other side.
- 4: Slide the canopy up into place against the ceiling. Slide the collar ring up and thread it onto the collar loop to secure the canopy in place.
- 5: Install the hook (11) onto nipple (10).
- 6: Install the candle sleeve(5) onto socket(6);
- 7: Hang the crystal drop(8) onto wheel (7), crystal drop (9) onto wheel (4).
- 8: Install the fabric shade (2) into screw (3), and secure it with ball nut (1).
- 9: The fixture is ready for lamping and installation!

FIXTURE ASSEMBLY, MOUNTING, AND WIRING INSTRUCTIONS:

CEILING

- 1: Carefully remove the fixture out of the carton and check that all parts are included, referring to the above illustration. Make sure that the electricity is turned off.
- 2: Thread 2 Mounting screws properly into the relevant mounting holes pre-drilled on the Mounting plate;
- 3: Attach the mounting plate to outlet box using 2 Outlet box screws upwards;
- 4: Make wire connections:
 - Attach ground wire to house ground wire using a wire nut (or attach them to the cross bar with a green ground screw).
 - Attach ribbed wire from light to white wire from power source with a wire nut.
 - Attach smooth wire from light to black wire from power source with a wire nut.
- 5: Tuck the wire connection neatly into the outlet box;
- 6: Place the back plate over the outlet box and let 2 mounting screws protrude through the mounting holes on the back plate well; then lock it in place by ball nuts;
- 7: Turn power on at fuse or circuit box.
- 8: Install the candle sleeve(5) onto socket(6);
- 9: Hang the crystal drop(8) onto wheel (7), crystal drop (9) onto wheel (4).
- 10: Install the fabric shade (2) into screw (3), and secure it with ball nut (1).
- 11: The fixture is ready for lamping and installation!