

Ellington

Model # 5896

Ellington 24in Tall Planter



DESCRIPTION

The Ellington has a simplified, sleek Urn design utilizing the same features that Mayne is known for. It has the look of an Urn without the heavy weight of cast iron. The Ellington is an affordable, timeless design with exceptional value.

- Single wall molded design with removable tray
- Self watering tray insert creates sub-irrigation water system
- Weather resistant, low maintenance material
- 100% high-grade polyethylene planter with UV inhibitors
- Warranty: 15-Yr Residential Use / 5-Yr Commercial Use

PRODUCT DIMENSIONS

Outside Dimensions: 15.6in DIA x 24in H (39.7cm x 60.9cm)

Inside Dimensions: 11.5in DIA x 11.5in D (29.2cm x 29.2cm)

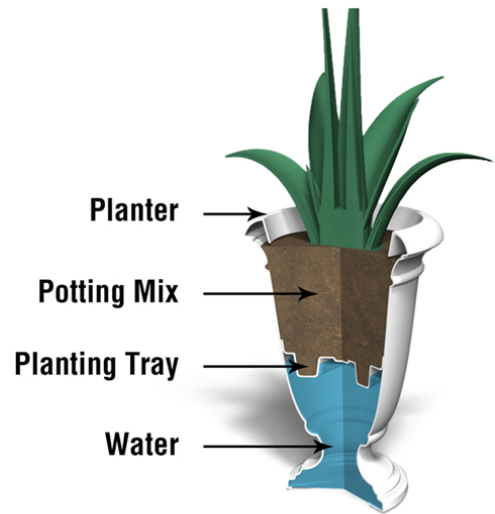
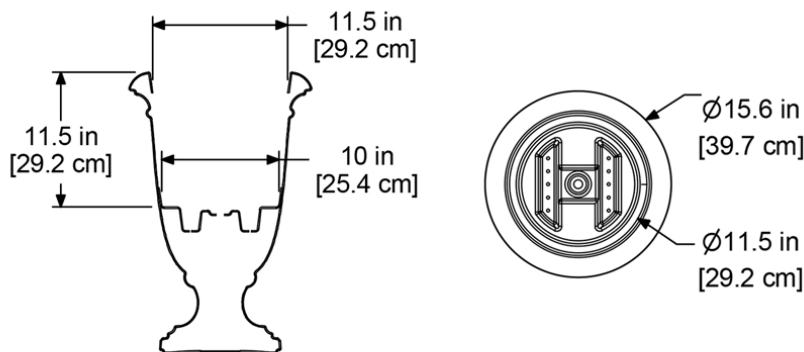
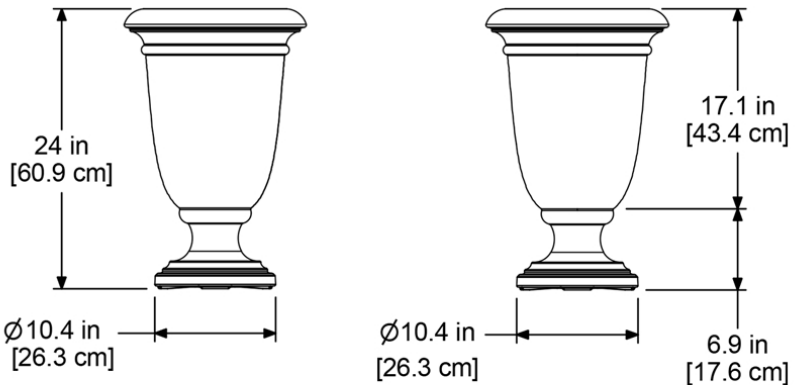
Soil Capacity: 4 Gallons (15 Liters)

Water Reservoir Capacity: 2 Gallons (8 Liters)

Wall Thickness: 0.12in (3mm)

Part Weight: 5lbs (2.2kg)

Material: Polyethylene



MAYNE[®]
Outdoor Products of Distinction

7024 Kilbourne Rd - Unit A London, ON N6P 1K6

Tel: 866-363-8834 | www.gomayne.com

customerservice@gomayne.com