

Lakeland

Model # 5868

Lakeland 28in Tall Planter



DESCRIPTION

Create the perfect finishing touch to any patio or porch with our Lakeland Tall Planter. The tall planter is made of high quality polyethylene and a built-in water reservoir system that encourages healthy plant growth by allowing plants to practically water themselves. Our Lakeland Tall Planter has the look of wood without the up-keep.

- Single wall molded design with removable tray
- Self watering tray insert creates sub-irrigation water system
- Weather resistant, low maintenance material
- 100% high-grade polyethylene planter with UV inhibitors
- Warranty: 15-Yr Residential Use / 5-Yr Commercial Use

PRODUCT DIMENSIONS

Outside Dimensions: 16in L x 16in W x 28in H (40.6cm x 40.6cm x 71.1cm)

Inside Dimensions: 12.2in L x 12.2in W x 12.4in D (31cm x 31cm x 31.5cm)

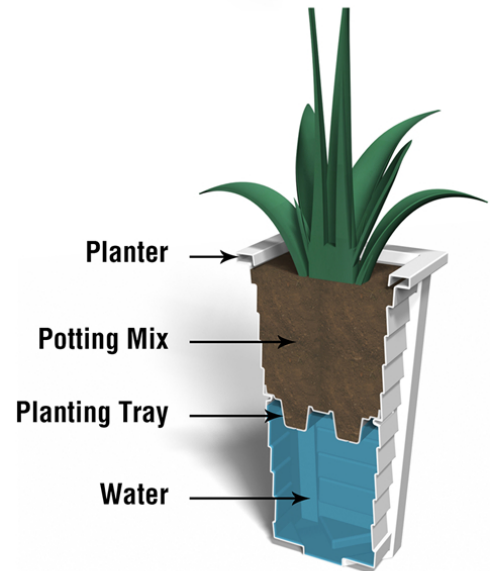
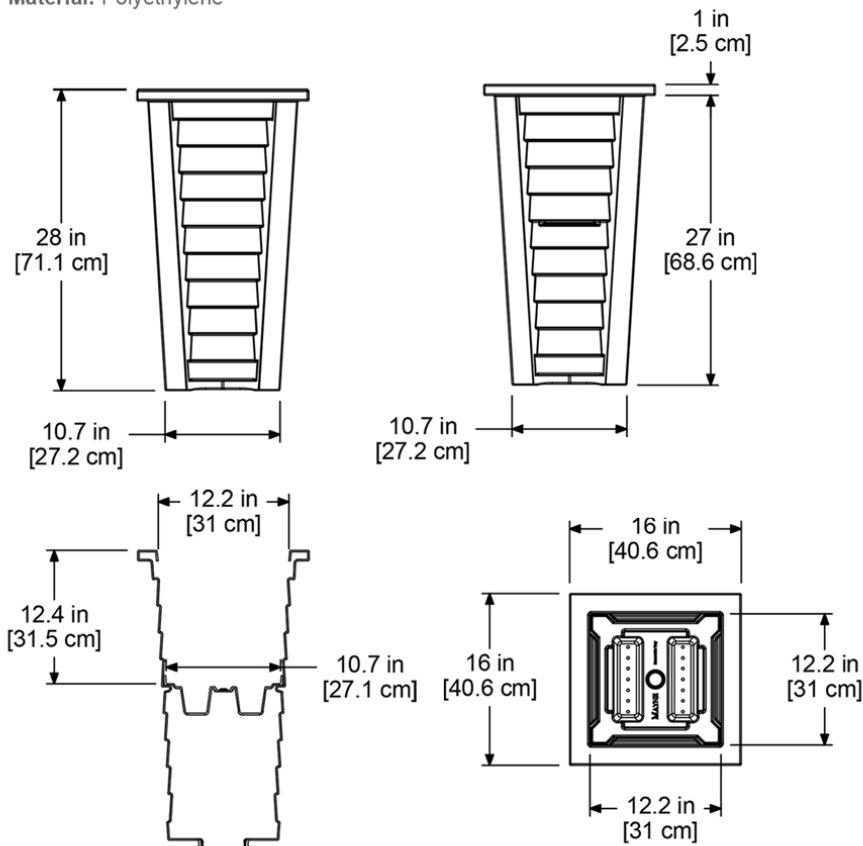
Soil Capacity: 7.4 Gallons (28 Liters)

Water Reservoir Capacity: 6.7 Gallons (25.3 Liters)

Wall Thickness: 0.15in (3.8mm)

Part Weight: 10lbs (4.5kg)

Material: Polyethylene



MAYNE[®]
Outdoor Products of Distinction

7024 Kilbourne Rd - Unit A London, ON N6P 1K6

Tel: 866-363-8834 | www.gomayne.com

customerservice@gomayne.com