

# Statesville

Model # 5831

## Statesville Mail Post



### DESCRIPTION

The Statesville Mail Post has clean, uncluttered lines and timeless detailing. Unique New England styled product offering the timeless charm of the East Coast

- Weather resistant, low maintenance material
- Installs easily over a standard 4x4 wood post
- Recommended for mailboxes up to 16lbs
- 100% high-grade polyethylene with built in UV inhibitors
- Warranty: 15-Yr Residential Use / 5-Yr Commercial Use

### PRODUCT DIMENSIONS

**Outside Dimensions:** 32.8in L x 16in W x 61.5in H (83.2cm x 40.6cm x 156.3cm)

**Paper Holder Inside Dimensions:** 12.7in L x 4.4in W x 6in H (32.2cm x 11.2cm x 15.2cm)

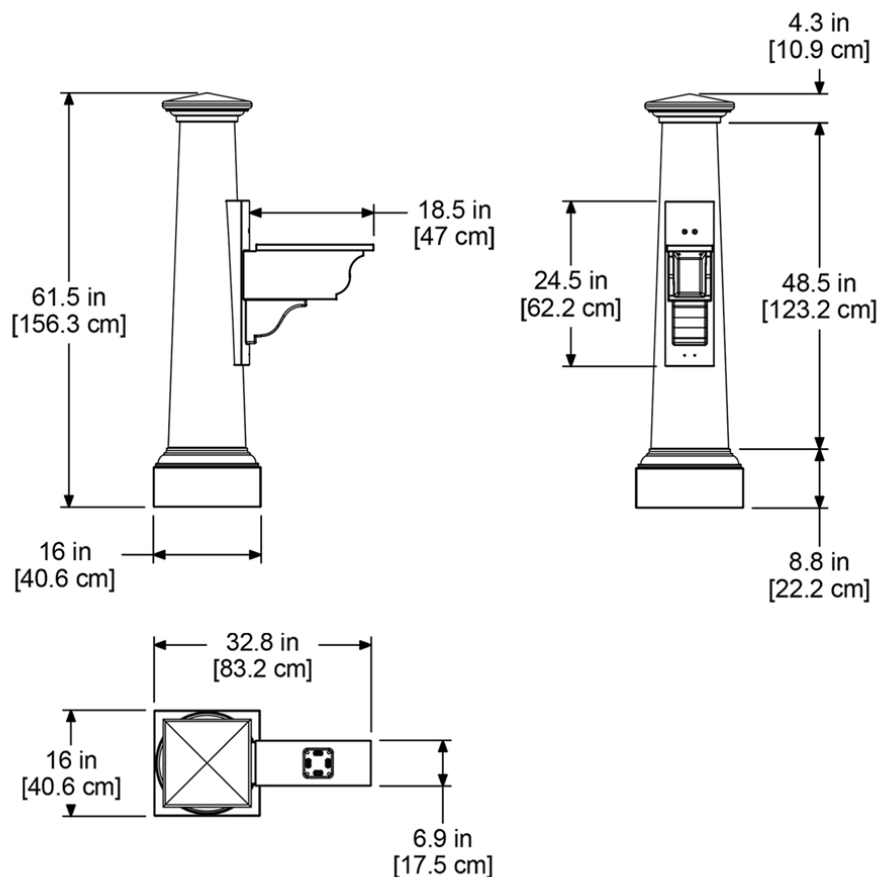
**Wall Thickness:** 0.125in (3.17mm)

**Part Weight:** 20.5lbs (9.3kg)

**Material:** Polyethylene

**Contents:** Post, Paper Holder Arm, Planter Arm, and Hardware

*Note: 4x4 wood post, mailbox, and mailbox mounting hardware NOT included*



**MAYNE**<sup>®</sup>  
Outdoor Products of Distinction

7024 Kilbourne Rd - Unit A London, ON N6P 1K6  
Tel: 866-363-8834 | [www.gomayne.com](http://www.gomayne.com)  
[customerservice@gomayne.com](mailto:customerservice@gomayne.com)