

Dover

Model # 5810

Dover Mail Post



DESCRIPTION

A Statement of Pride...Simple yet strong, the Dover Mail Post serves as a perfect and warm invitation to retrieve your mail at the end of the drive.

- Weather resistant, low maintenance material
- Installs easily over a standard 4x4 wood post
- Recommended for mailboxes up to 12lbs
- 100% high-grade polyethylene with built in UV inhibitors
- Warranty: 15-Yr Residential Use / 5-Yr Commercial Use

PRODUCT DIMENSIONS

Outside Dimensions: 25.4in L x 8in W x 56.5in H (64.5cm x 20.3cm x 143.5cm)

Paper Holder Inset Dimensions: 10.5in W x 3.5in H (26.6cm x 8.8cm)

Paper Holder Inside Dimensions: 12in L x 5.5in W x 4.5in H (30.5cm x 14cm x 11.4cm)

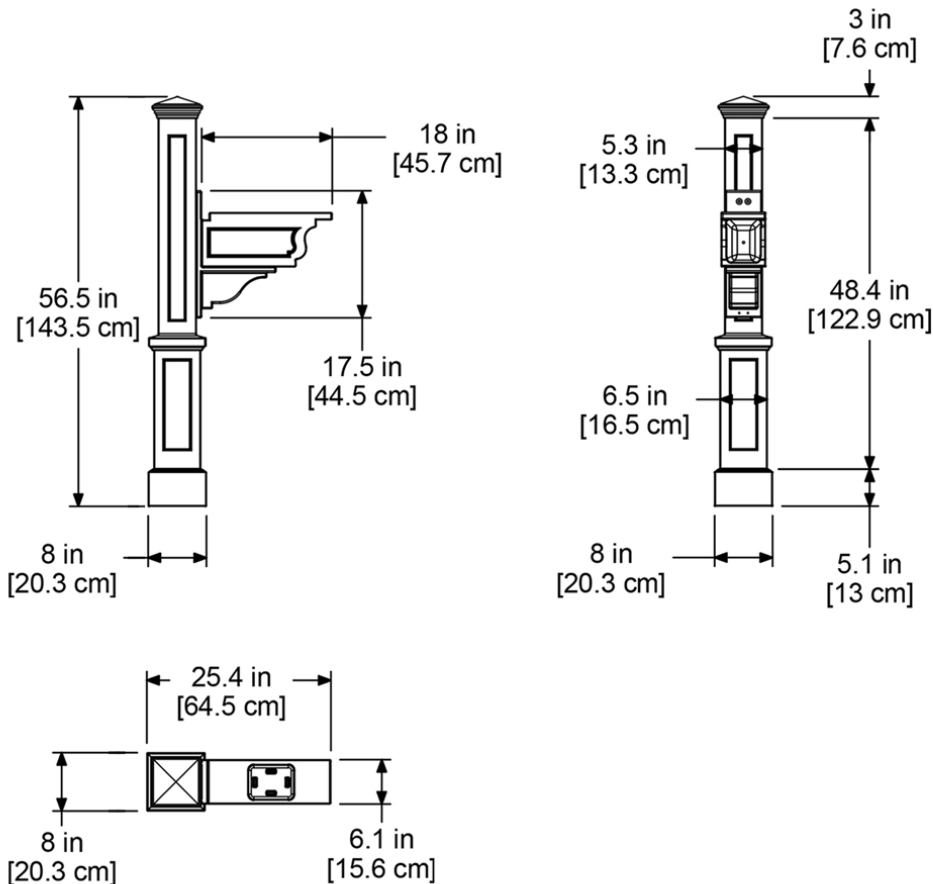
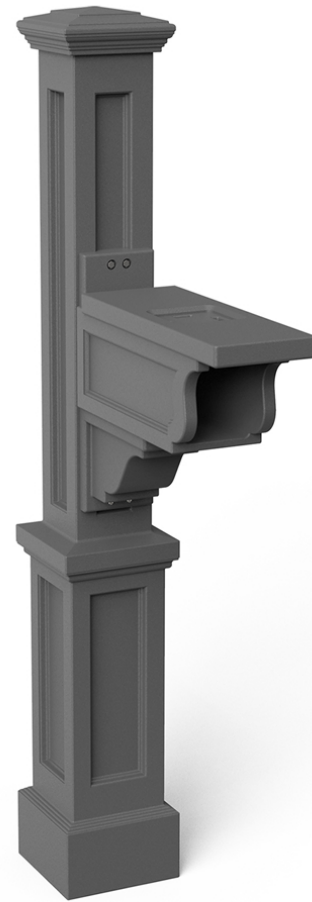
Wall Thickness: 0.125in (3.17mm)

Part Weight: 12.5lbs (5.6kg)

Material: Polyethylene

Contents: Post, Paper Holder Arm, and Hardware

Note: 4x4 wood post, mailbox, and mailbox mounting hardware NOT included



MAYNE[®]
Outdoor Products of Distinction

7024 Kilbourne Rd - Unit A London, ON N6P 1K6

Tel: 866-363-8834 | www.gomayne.com

customerservice@gomayne.com