

CRYST RAMA



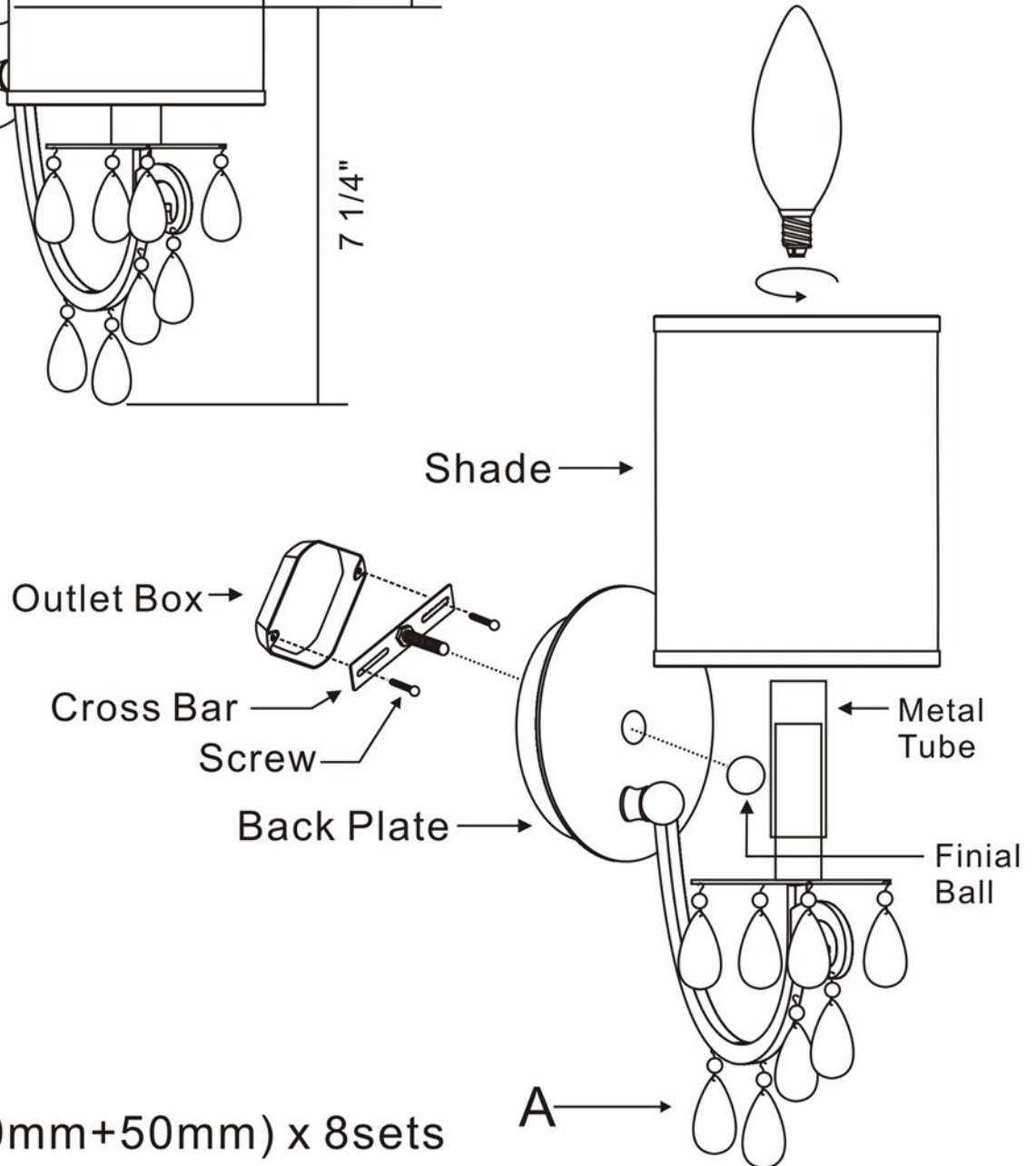
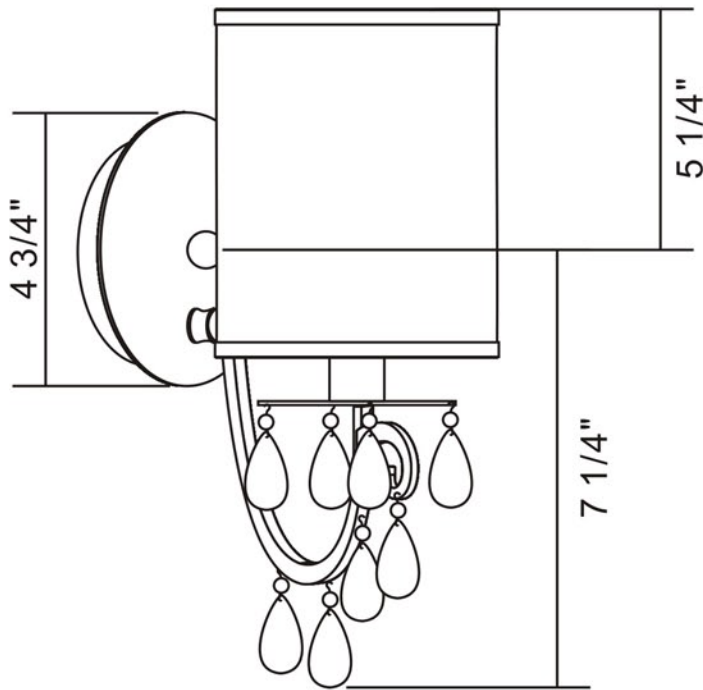
1958


95 Cantiague Rock Road, Westbury NY 11590
 ph: 516.931.9090 fax: 516.931.1254
 info@crystorama.com www.crystorama.com


MODEL#: 5621 ASSEMBLY AND DRESSING INSTRUCTIONS



WARNING:
 All electrical components must be installed by a licensed electrician in accordance with the National Electric Code and the appropriate local electrical codes.




 You will need 1- Cand. Bulb
 40 Watts Recommended
 60 Watts Max
 Bulb not included.

A =  (10mm+50mm) x 8sets