

Hotel / Motel Technical Specification

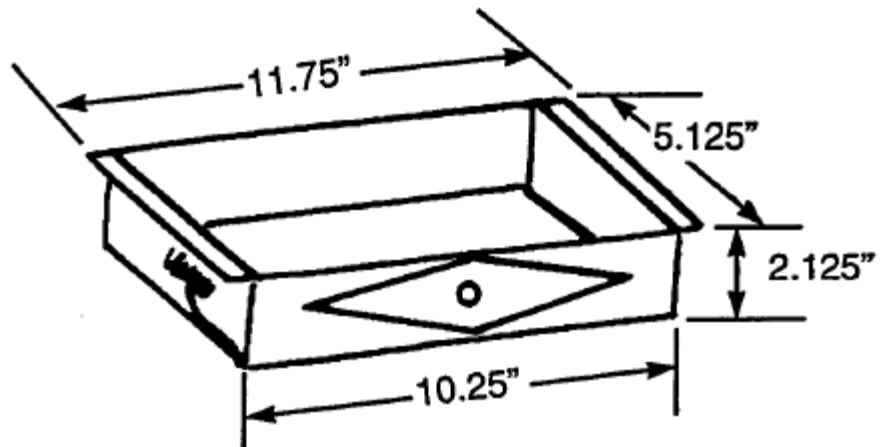
Recessed Coverless Tissue Box

5520NC

Stock Numbers:

- **5520NC – Recessed Coverless Tissue Box**
Polished Stainless Steel Finish
Skeleton Key Included

Dimensions:



Materials:

ALL CHROME BATH HARDWARE IS TRIPLE PLATED WITH COPPER, NICKEL AND CHROMIUM FOR LONG LASTING BEAUTY, AND MEET ASTM-B86 STANDARDS.

Coverless Tissue Box is made of galvanized steel, with steel springs and a chrome plated plastic knob.

Installation Instructions:

Mount behind custom-cut tissue slot in counter with knob pointing down and side mounting plates touching back of counter material using 4 pre-drilled mounting holes.

Stock Number: _____ **Recessed Facial Tissue Box**
By Creative Specialties



25300 AL MOEN DRIVE • NORTH OLMSTED, OH 44070
CORPORATE HEADQUARTERS: (800) 321-8809 • FAX: (800) 848-6636
INTERNATIONAL: (440) 962-2000 • FAX: (440) 962-2726
CUSTOMER SERVICE (USA): 800-882-0116 • FAX: (888) 379-2720
WWW.MOEN.COM

©Copyright Creative Specialties International

Literature #BA1662