

CRYST RAMA

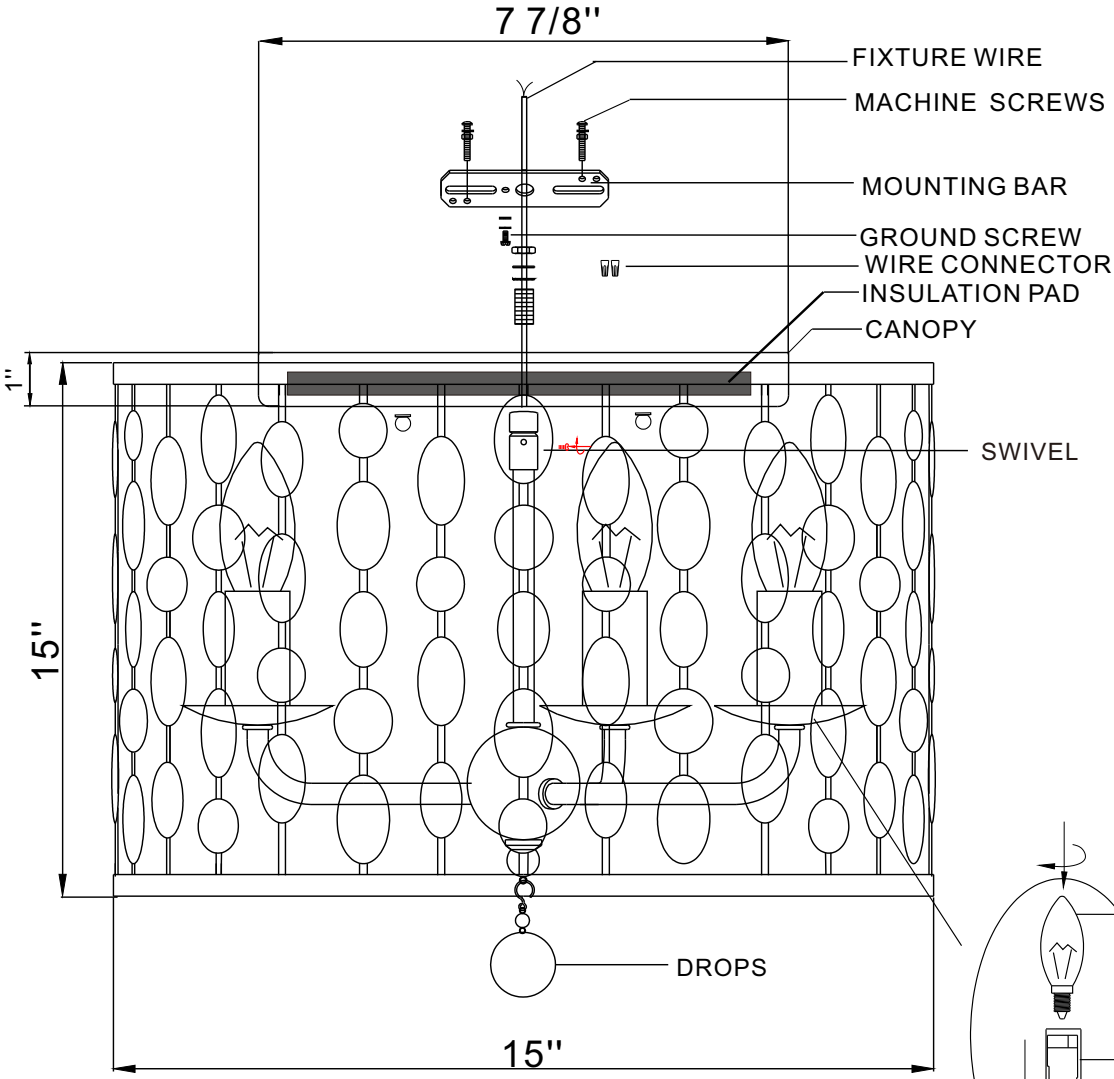
1958

95 Cantiague Rock Road, Westbury NY 11590
 ph: 516.931.9090 fax: 516.931.1254
 info@crystorama.com . www.crystorama.com

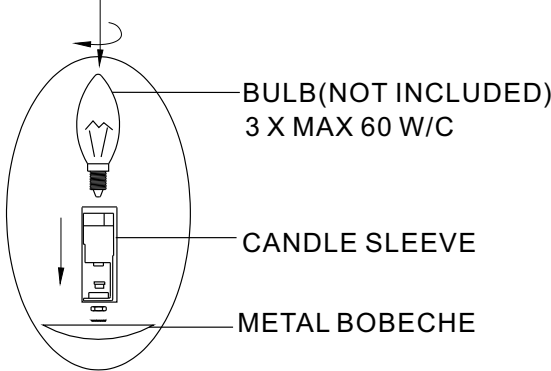
MODEL#: 544-SA
ASSEMBLY AND DRESSING INSTRUCTIONS



All electrical components must be installed by a licensed electrician in accordance with the National Electric Code and the appropriate local electrical codes.



You will need 3- Cand, Bulb
 40 Watts Recommended
 60 Watts Max
 Bulb not included.



DROPS = (10mm brass bead x 1 pcs + 50mm metal ball) x 1 set