

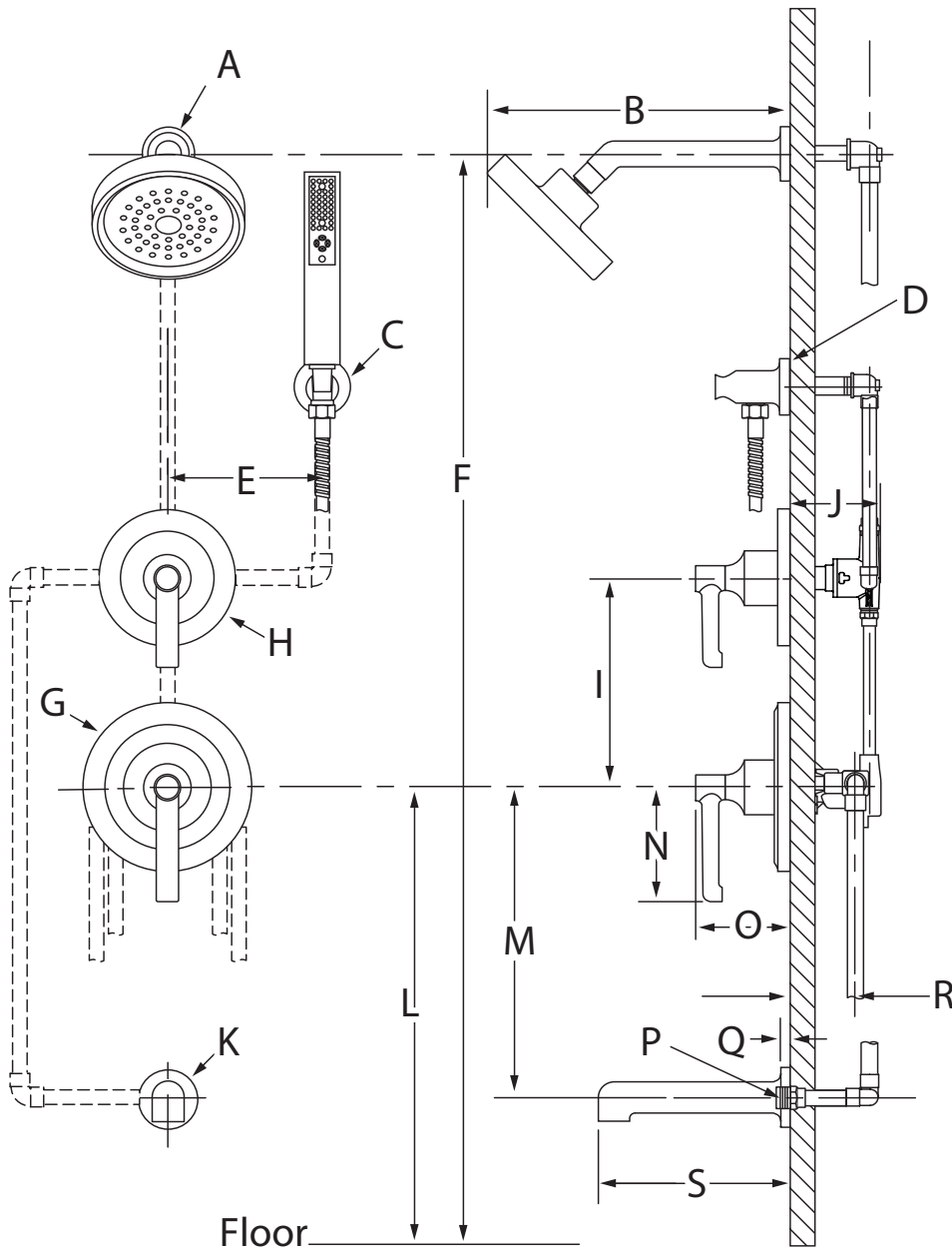




5303, 5305, 5306  
Shower System Series  
**Operation & Maintenance Manual**

Model Numbers	Specification
<ul style="list-style-type: none"> <li><input type="checkbox"/> <b>5303</b> <i>Hand Shower System</i></li> <li><input type="checkbox"/> <b>5305</b> <i>Shower/Hand Shower System</i></li> <li><input type="checkbox"/> <b>5306</b> <i>Tub/Shower/Hand Shower System</i></li> </ul>	<p><b>5303</b> Hand shower system powered by the Temptrol® pressure balancing valve. Features adjustable stop screw to limit handle turn, lever handle, wall connection &amp; cradle, flexible metal hose, 2 mode hand shower with backflow prevention and standard 2.5 gpm (9.5 L/min) flow restrictor.</p>
<p><b>Options/Modifications</b></p> <ul style="list-style-type: none"> <li><input type="checkbox"/> <b>-1.5</b>  <i>1.5 gpm (5.7 L/min) flow restrictor</i></li> <li><input type="checkbox"/> <b>-2.0</b> <i>2.0 gpm (7.6 L/min) flow restrictor</i></li> <li><input type="checkbox"/> <b>-BLK</b> <i>Polished Graphite finish</i></li> <li><input type="checkbox"/> <b>-STN</b> <i>Satin Nickel finish</i></li> <li><input type="checkbox"/> <b>-TRM</b> <i>Trim only, valve not included</i></li> </ul> <p><b>Note:</b> Append appropriate -suffix to model number.</p>	<p><b>5305</b> Shower/hand shower system powered by the Temptrol® pressure-balancing valve. Features adjustable stop screw to limit handle turn, separate two function diverter, lever handle, wall connection &amp; cradle, flexible metal hose, 2 mode hand shower with backflow prevention, 1 mode showerhead and standard 2.5 gpm (9.5 L/min) flow restrictors.</p>
<p><b>Compliance</b></p> <p>-ASME A112.18.1/CSA B125.1</p> 	<p><b>5306</b> Tub/shower/hand shower system powered by the Temptrol® pressure balancing valve. Features adjustable stop screw to limit handle turn, separate three function diverter, lever handle, wall connection &amp; cradle, flexible metal hose, 2 mode hand shower with backflow prevention, non-diverter tub spout and 1 mode showerhead with standard 2.5 gpm (9.5 L/min) flow restrictors.</p>
<p><b>Warranty</b></p> <p><b>Limited Lifetime</b> - to the original end purchaser in consumer/residential installations. <b>5 Years</b> - for industrial/commercial installations. Refer to <a href="http://www.symmons.com/warranty">www.symmons.com/warranty</a> for complete warranty information.</p>	<p>Components made from metal and nonmetallic materials plated in standard polished chrome finish.</p>

## Dimensions

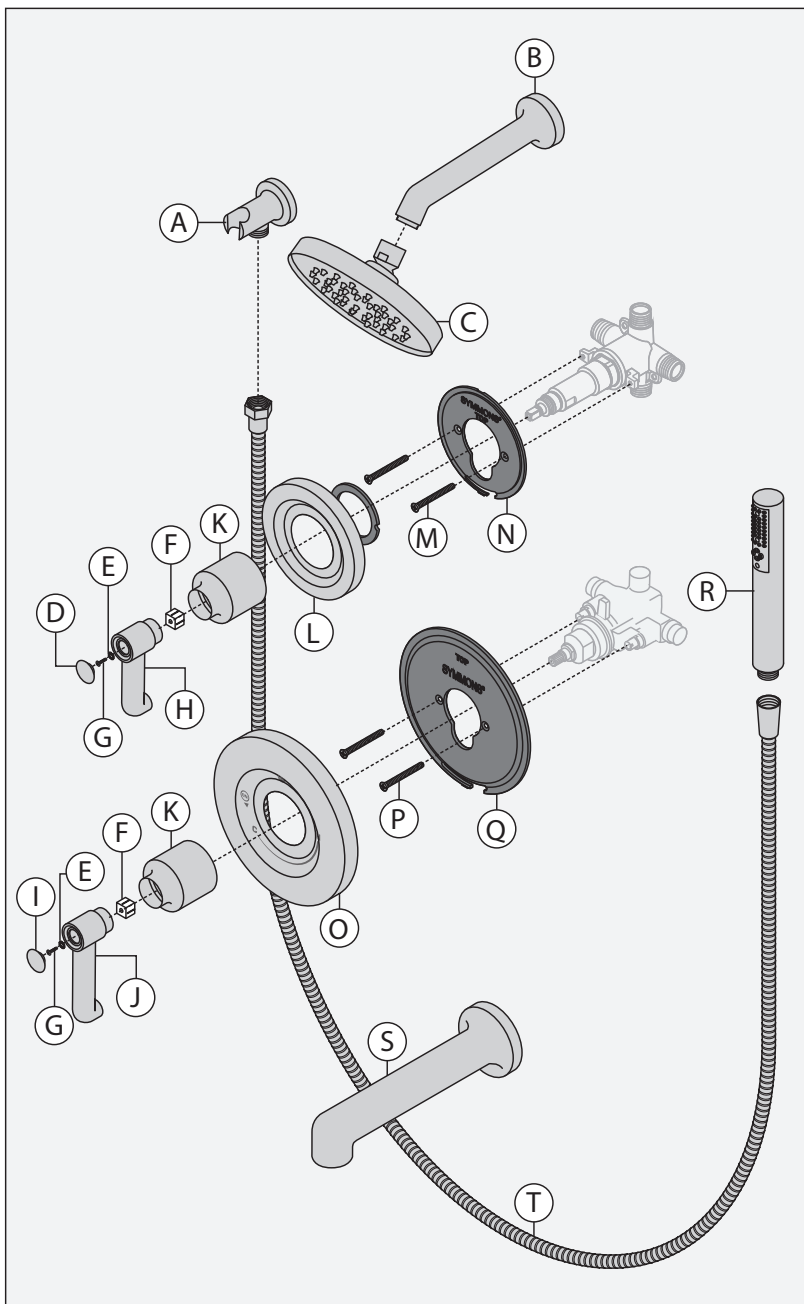


Measurements	
A	Ø 2", 51 mm
B	11-1/8", 283 mm
C	Ø 2", 51 mm
D	Male 1/2" IPS thread must protrude 3/8" from finished wall
E	6", 152 mm
F	77", 1956 mm
G	Ø 6-1/4", 159 mm
H	Ø 5", 127 mm
I	Ref. 10", 254 mm
J	3-1/2", 89 mm
K	Ø 2-1/4", 57 mm
L	Ref. 32", 813 mm
M	Ref. 12", 305 mm
N	3-1/4", 83 mm
O	3-3/4", 95 mm
P	1/2" - 14 NPT
Q	1/2", 13 mm
R	(Rough in) 2-3/8" ± 1/2", 60 mm ± 13 mm
S	7-1/8", 181 mm

### Notes:

- 1) All dimensions measured from nominal rough-in (see R as reference).
- 2) Dimensions subject to change without notice.

## Parts Breakdown



### Notes:

- 1) Apply a bead of silicone around the perimeter of all shower trim installed flush to the finished wall (less mounting plates and brackets). Leave opening on bottom of escutcheons for weep hole.
- 2) Apply plumber tape to threaded connections as necessary. DO NOT use plumber tape on fittings with face seal washers or o-rings.
- 3) DO NOT OVERTIGHTEN fittings with face seal washers or o-rings.


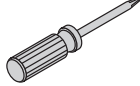

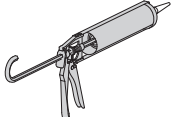
### Replacement Parts

Item	Description	Part Number
A	Wall Cradle	T-673
B	Shower Arm	532SA
C	Showerhead	532SH
D	Plug Button	T-667
E	Star Washer	
F	Handle Insert	
G	Set Screw	
H	Diverter Handle	T-665
I	Plug Button	
E	Star Washer	
F	Handle Insert	
G	Set Screw	T-666
J	Shower Handle	
K	Dome Cover	LLD-103-NS-KIT
L	Escutcheon	
M	Mounting Screws	
N	Mounting Plate	T-668-NS-K001
O	Escutcheon	
P	Mounting Screws	
Q	Mounting Plate	402W
R	Hand Shower	
S	Tub Spout	532TS
T	60" Hose	EF-02976

### Notes:

- 1) Append -STN to part number for Satin Nickel finish.
- 2) Append -BLK to part number for Polished Graphite finish.
- 3) Append -1.5 or -2.0 to showerhead or hand shower for low flow.

### Tools Required for Installation

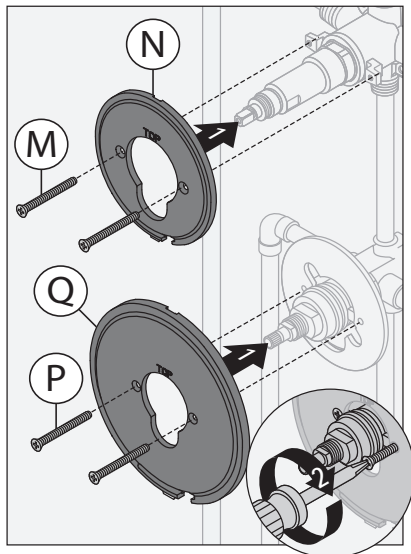
Adjustable wrench	
Phillips head screwdriver	
Plumber tape	
Silicone	

## Installation

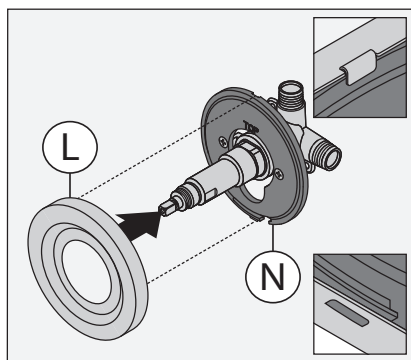
### Note:

For valve body installation, please see valve body installation guides.

- 1) Install small mounting plate (N) to diverter valve (2DIV-BODY or 3DIV-BODY) and large mounting plate (Q) to shower valve (4000-BODY). Secure each with two screws (M) and (P).

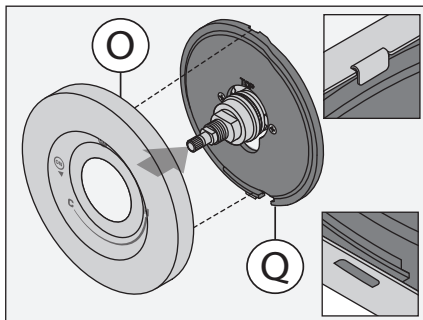


- 2) Attach diverter escutcheon (L) to small mounting plate (N).



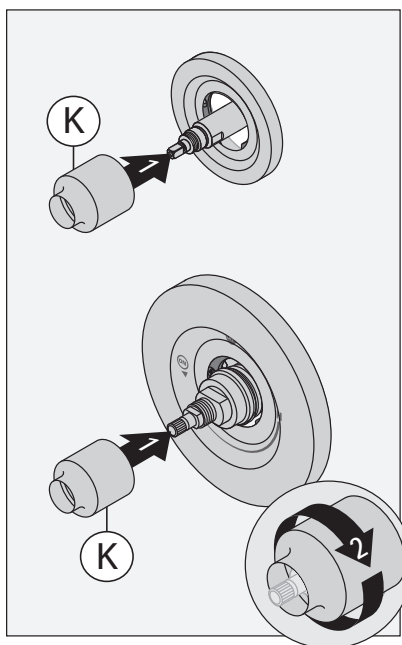
**Note:** Tabs should snap into place.

- 3) Attach shower escutcheon (O) to large mounting plate (Q).

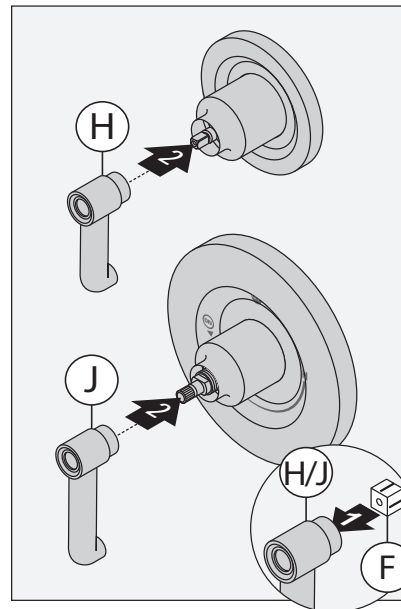


**Note:** Tabs should snap into place.

- 4) Install dome covers (K) to valves by turning clockwise.

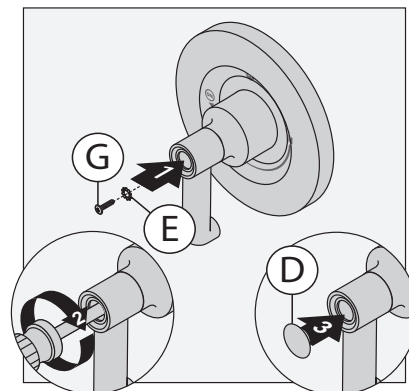


- 5) Place handle insert (F) into handle (H/J). Install diverter handle (H) (5305 and 5306 only) and shower handle (J) to valves.



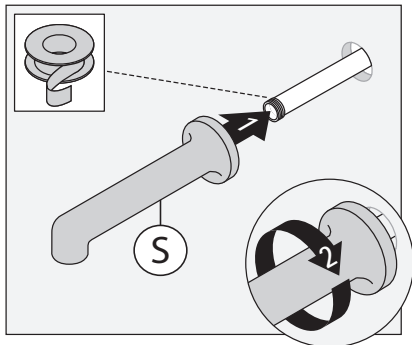
**Note:** Handles should be facing the 6 o'clock position.

- 6) Secure handle(s) to valves using star washer (E) and set screw (G). Attach plug button (D) to handle(s).

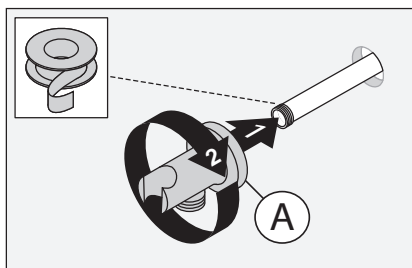


## Installation/Operation

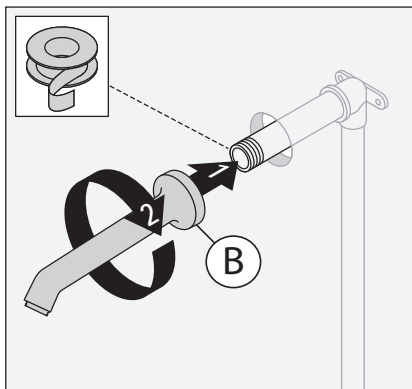
- 7) Install tub spout (S) to pipe fitting. Turn clockwise to secure.



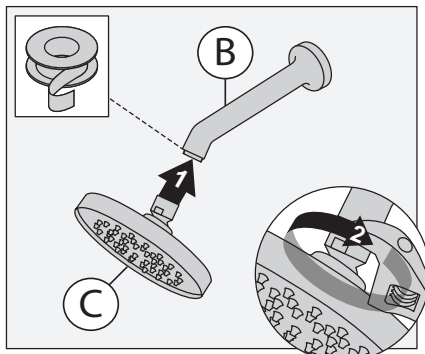
- 8) Install wall cradle (A) to pipe fitting. Turn clockwise to tighten.



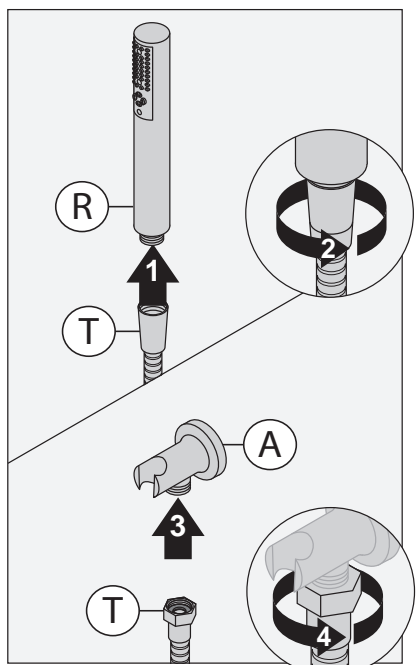
- 9) Attach shower arm (B) to vertical shower pipe. Turn clockwise to tighten.



- 10) Install showerhead (C) to shower arm (B). Turn clockwise to tighten.

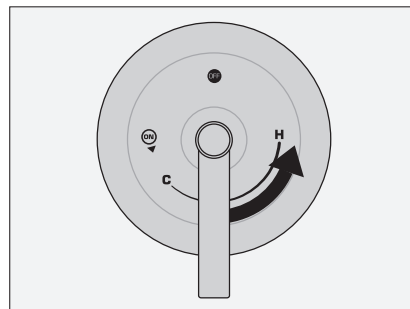


- 11) Attach large end of hand shower hose (T) to hand shower wand (R). Attach small end of hand shower hose to wall elbow (A). Turn clockwise to tighten.

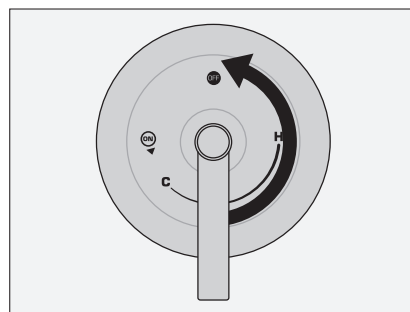


## Temperature Adjustment:

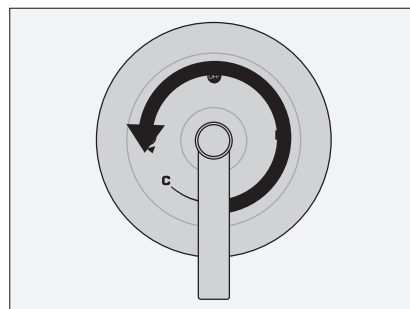
- 1) Turn shower handle counterclockwise approximately 1/4 turn to put valve in cold position.



- 2) Turn shower handle counterclockwise approximately 1/2 turn to put valve in warm position.

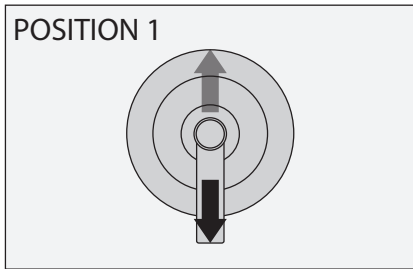


- 3) Turn shower handle counterclockwise approximately 3/4 turn to put valve in hot position.

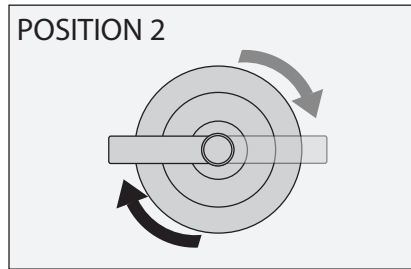


## Operation (Diverter Control: 2DIV-BODY)

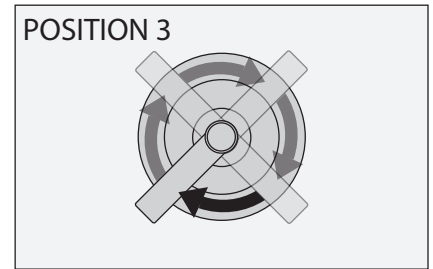
1) Cartridge is factory set to divert to function 1.



2) Turn handle to position 2 to divert to function 2.



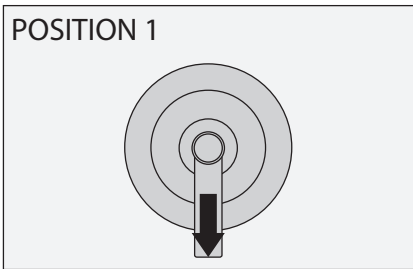
3) Turn handle to position 3 to share functions 1 and 2.



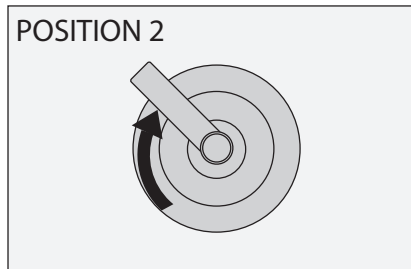
**Note:** Additional handle positions for same output are illustrated.

## Operation (Diverter Control: 3DIV-BODY)

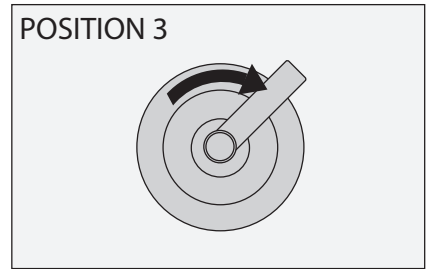
1) Cartridge is factory set to divert to function 1.



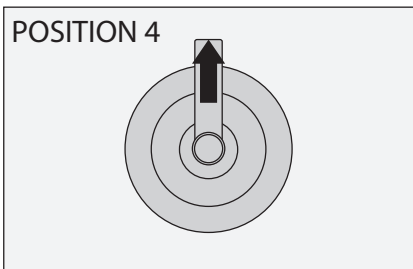
2) Turn handle to position 2 to divert to function 2.



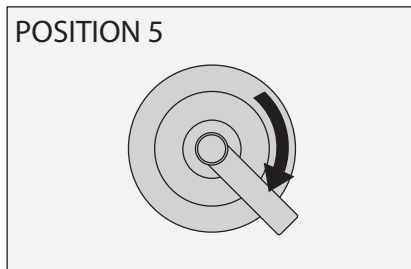
3) Turn handle to position 3 to divert to function 3.



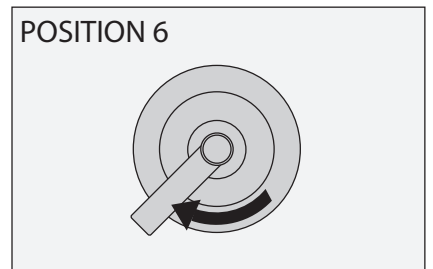
4) Turn handle to position 4 to share functions 2 and 3.



5) Turn handle to position 5 to share functions 1 and 3.



6) Turn handle to position 6 to share functions 1 and 2.



## Troubleshooting Chart

Troubleshooting Chart		
Finish is spotting.	Elements in water supply may cause water staining on finish.	Clean finished trim area with a soft cloth using mild soap and water or a non-abrasive cleaner and then quickly rinse with water.

**⚠ WARNING:** This product can expose you to chemicals including lead, which is known to the state of California to cause cancer, birth defects, or other reproductive harm. For more information, go to [www.P65Warnings.ca.gov](http://www.P65Warnings.ca.gov).