



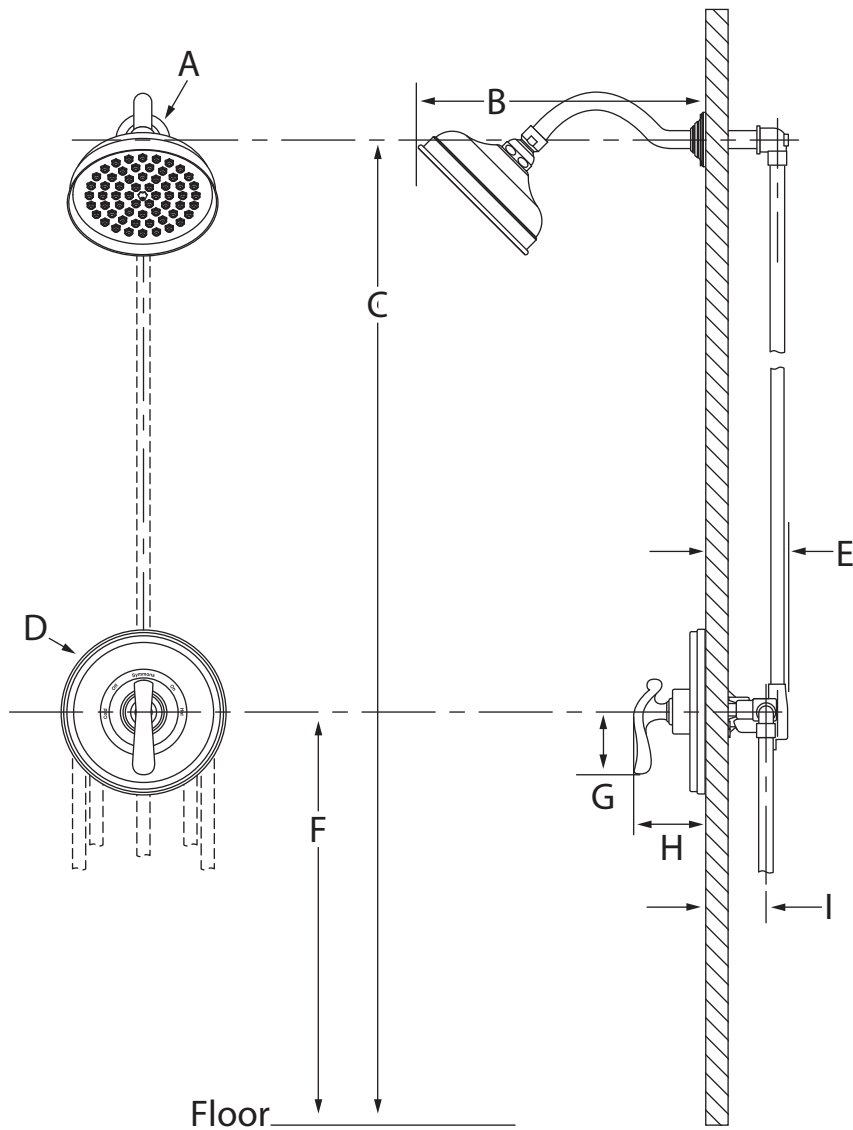


5100-TRM, 5101-TRM  
 Winslet® Trim Series  
**Operation & Maintenance Manual**

Model Numbers	Specifications
<input type="checkbox"/> <b>5100-TRM</b> <i>Valve Trim</i>  <input type="checkbox"/> <b>5101-TRM</b> <i>Shower Trim</i>	Shower trim includes shower escutcheon kit and 3 mode showerhead with standard 2.5 gpm (9.5 L/min) flow restrictor. Valve trim includes shower escutcheon kit only. Components made from metal and nonmetallic materials plated in standard polished chrome finish.
Modifications	Compliance
<input type="checkbox"/> <b>-1.5</b>  <i>1.5 gpm (5.7 L/min) flow restrictor</i> <input type="checkbox"/> <b>-2.0</b> <i>2.0 gpm (7.6 L/min) flow restrictor</i> <input type="checkbox"/> <b>-STN</b> <i>Satin nickel finish</i>	-ASME A112.18.1; CSA B125.1  
	<b>Warranty</b>  <b>Limited Lifetime</b> - to the original end purchaser in consumer installations. <b>5 Years</b> - for commercial installations.  Refer to <a href="http://www.symmons.com/warranty">www.symmons.com/warranty</a> for complete warranty information.

**Note:** Append appropriate -suffix to model number.

## Dimensions

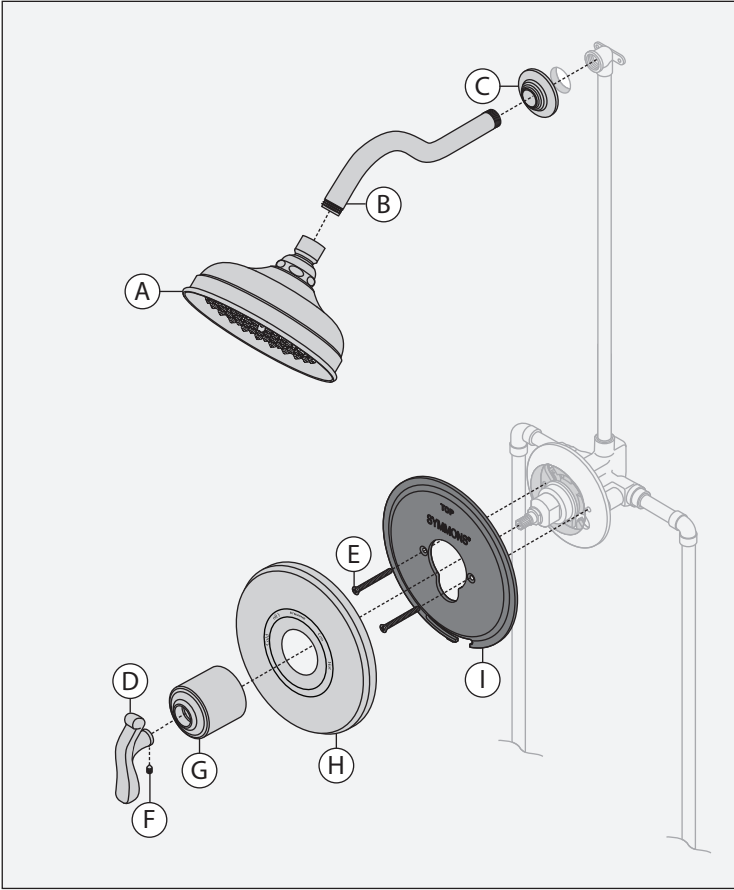


Measurements	
A	Ø 2 1/2", 64 mm
B	12", 305 mm
C	77", 1956 mm
D	Ø 7 1/2", 191 mm
E	4 3/4", 121 mm
F	42", 1067 mm
G	2 7/8", 73 mm
H	3 1/2", 89 mm
I	(Rough in) 2 3/8" ± 1/2", 60 mm ± 13 mm

### Notes:

- 1) All dimensions measured from nominal rough-in (see I as reference).
- 2) Dimensions are subject to change without notice.

## Parts Breakdown



### Notes:

- 1) Apply a bead of silicone around the perimeter of all shower trim installed flush to the finished wall. Leave opening on bottom of escutcheons for weep hole.
- 2) Apply plumber tape to all threaded connections.

### Replacement Parts

Item	Description	Part Number
A	Showerhead	4-166
B	Shower Arm	512SA
C	Shower Arm Flange	512SA
D	Handle	T-611
F	Set Screw	T-611
E	Mounting Screws	T-609-NS-K001
H	Shower Escutcheon	T-609-NS-K001
I	Mounting Plate	T-609-NS-K001
G	Dome Cover	T-608-PL

### Note:

- 1) Append -STN for satin nickel finish.
- 2) Append -1.5 or -2.0 to showerhead for low flow.

### Tools Required for Installation

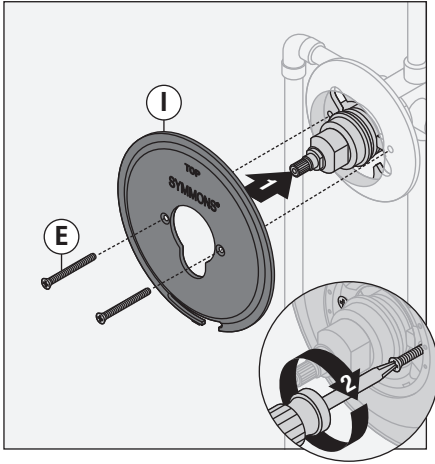
Adjustable wrench	
Allen wrench (1/8")	
Phillips head screwdriver	
Plumber tape	
Silicone	

# Installation

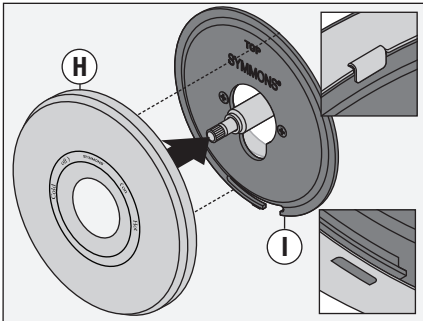
**Note:**

For valve body installation, please see valve body installation guide.

- 1) Install plastic mounting plate (I) to shower valve. Secure with two screws (E).

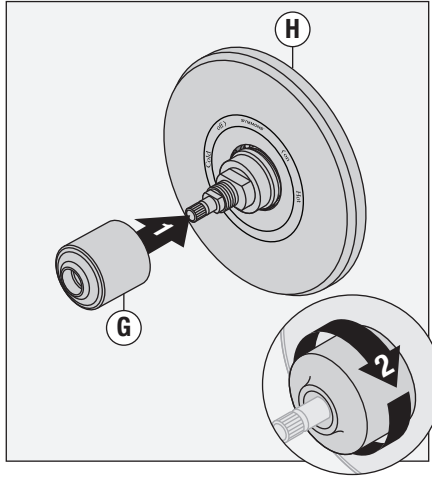


- 2) Attach escutcheon (H) to plastic mounting plate (I).

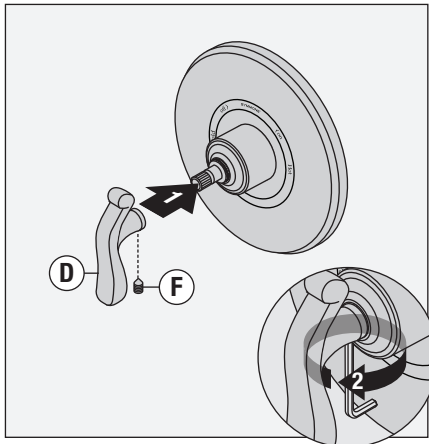


**Note:** Tabs should snap into place.

- 3) Install dome cover (G) to valve by turning clockwise.

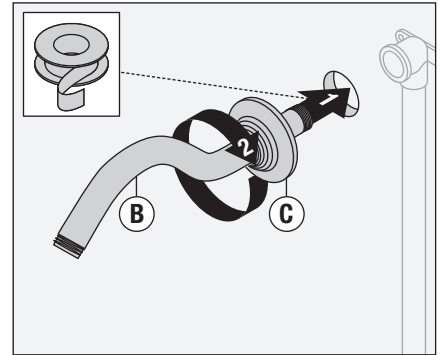


- 4) Install handle (D) to valve. Secure handle by tightening set screw (F).

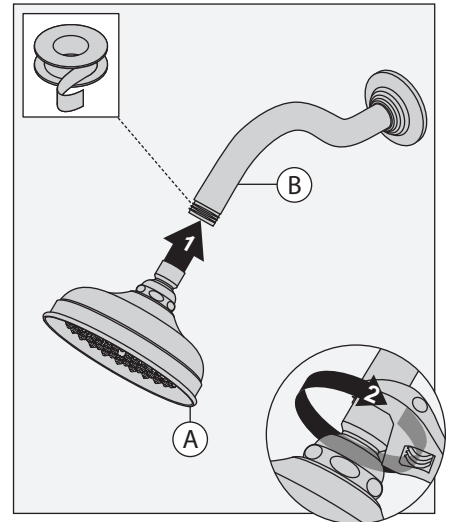


**Note:** Handles should be facing the 6 o'clock position.

- 5) Attach shower arm (B) and flange (C) to vertical shower pipe turning clockwise to tighten.

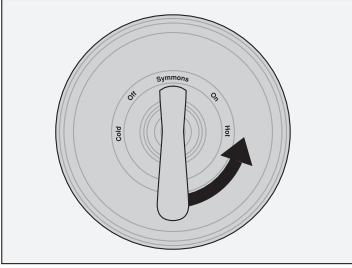


- 6) Install showerhead (A) to shower arm (B) turning clockwise to tighten.

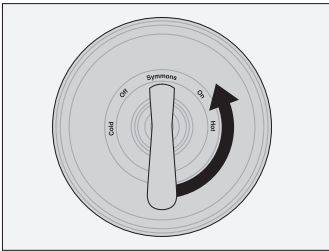


## Operation

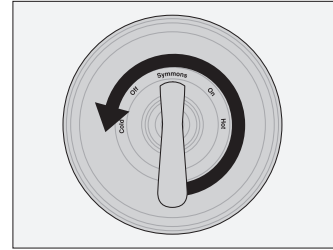
- 1) Turn shower handle counterclockwise approximately 1/4 turn to put valve in cold position.



- 2) Turn shower handle counterclockwise approximately 1/2 turn to put valve in warm position.



- 3) Turn shower handle counterclockwise approximately 3/4 turn to put valve in hot position.



---

## Care and Cleaning

---


- 1) Clean finished trim area with a soft cloth using mild soap and water or a non-abrasive cleaner and then quickly rinse with water.

---

## Troubleshooting Chart

---

Problem	Cause	Solution
Finish is spotting.	Elements in water supply may cause water staining on finish.	Clean finished trim area with a soft cloth using mild soap and water or a non-abrasive cleaner and then quickly rinse with water.

 **WARNING:** This product can expose you to chemicals including lead, which is known to the state of California to cause cancer, birth defects, or other reproductive harm. For more information, go to [www.P65Warnings.ca.gov](http://www.P65Warnings.ca.gov).