

NOTES:

~~1. TAP #50630 WITH M5 X.8 PRIOR TO INSTALLING #92398~~

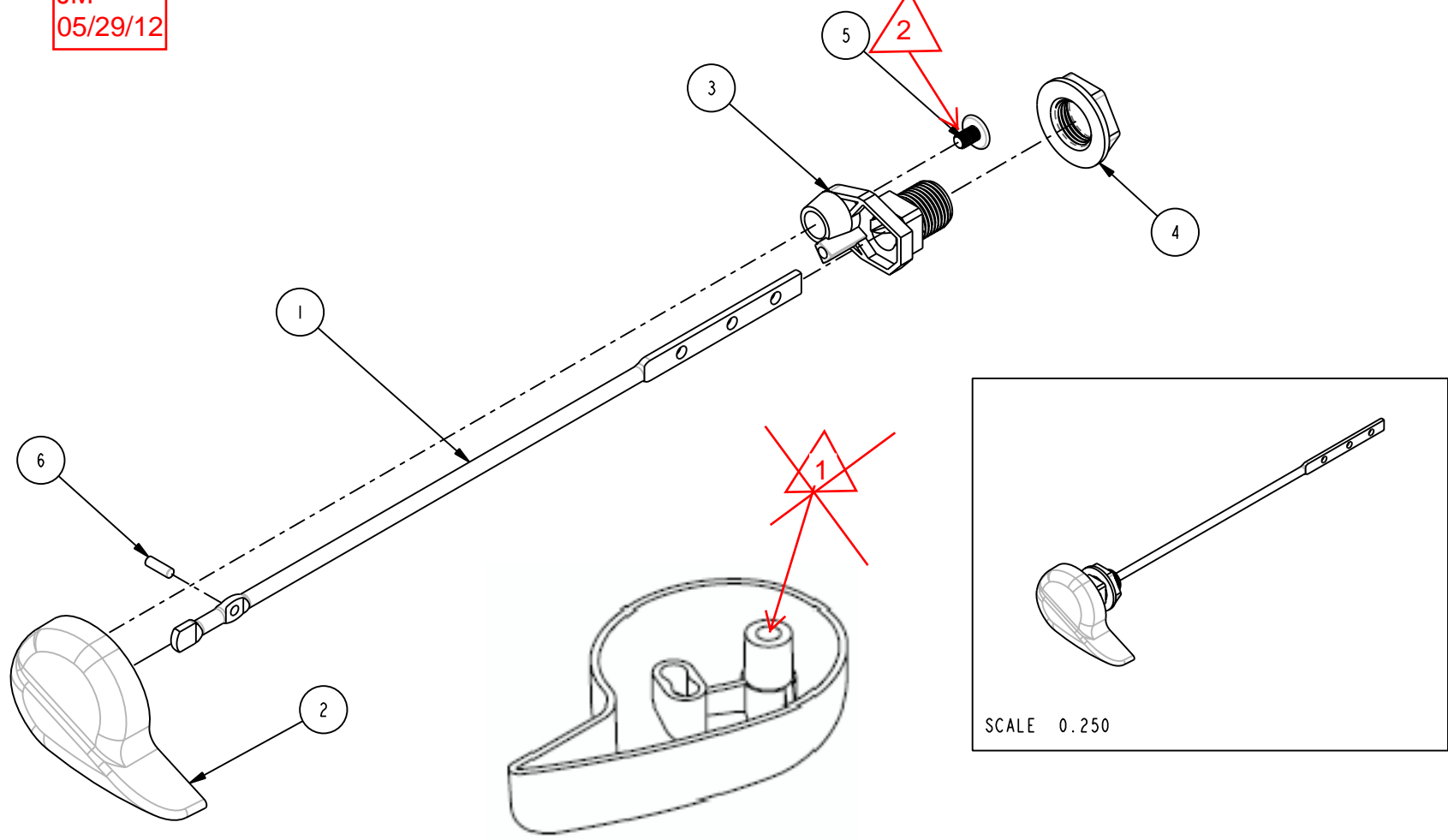
2. APPLY LOCITE 680

JM
05/29/12

92398
MCM# 92005A318

BILL OF MATERIAL (CURRENT LEVEL)

ITEM	PT/ASSY	DESCRIPTION	TYPE	QTY.
1	50629	TANK LEVER BRASS	PART	1
2	50630	HANDLE	PART	1
3	50631	TANK LEVER HOUSING	PART	1
4	91310	MOUNTING NUT 5/8-18 1" HEX	PART	1
5	92139	SCREW 10-32 X 9/32	PART	1
6	92140	PIN 1/8 OD X 3/8 SS	PART	1



BRASSTECH 2001 E. CARNEGIE AVE
INCORPORATED SANTA ANA, CA 92705
(949) 417-5207

TOILET TANK LEVER

ASSY. NO. 509

-	RELEASED	09/26/02
REV	REV DESC	DATE

SCALE 0.500

REF. -

SHEET 1 OF 1

COPYRIGHT ©