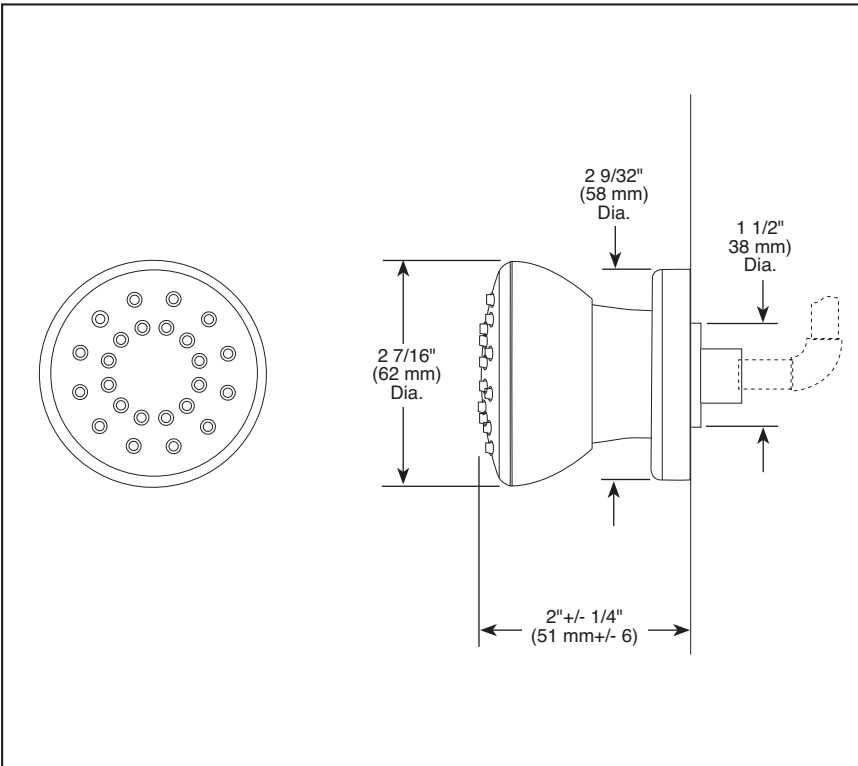


50102



Submitted Model No.: _____

Specific Features: _____



BODY SPRAY

■ 1/2" Rough-In

STANDARD SPECIFICATIONS

- 1/2" rough-in.*
- 30° up and down adjustment.
- Maximum 2.00 gpm @ 80 psi, 7.6 L/min @ 550 kPa
- Solid brass construction.
- Matching finish spray face.
- Touch-clean® nubs.

*Note: This installation requires a 1/2" male threaded pipe fitting to extend 1/4" beyond the finished surface.

WARRANTY

- Lifetime limited warranty on parts (other than electronic parts and batteries) and finishes: or, for commercial users, for 5 years from date of purchase.
- 5 year limited warranty on electronic parts (other than batteries); or, for commercial users, for 1 year from the date of purchase. No warranty is provided on batteries.

COMPLIES WITH:

- ANSI/ASME A112.18.1 / CSA B125.1

Delta reserves the right (1) to make changes in specifications and materials, and (2) to change or discontinue models, both without notice or obligation. Dimensions are for reference only. See current full-line price book or www.deltafaucet.com for finish options and product availability.

DSP-B-50102 Rev. D



55 E. 111th Street, Indianapolis, Indiana 46280
 350 South dgeware Road, St. Thomas, ON N5P 4C4
 © 2015 Masco Corporation of Indiana