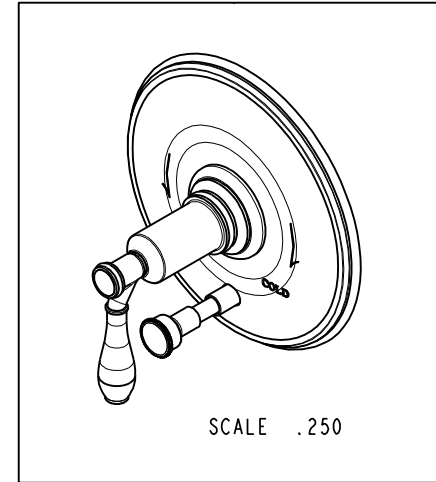
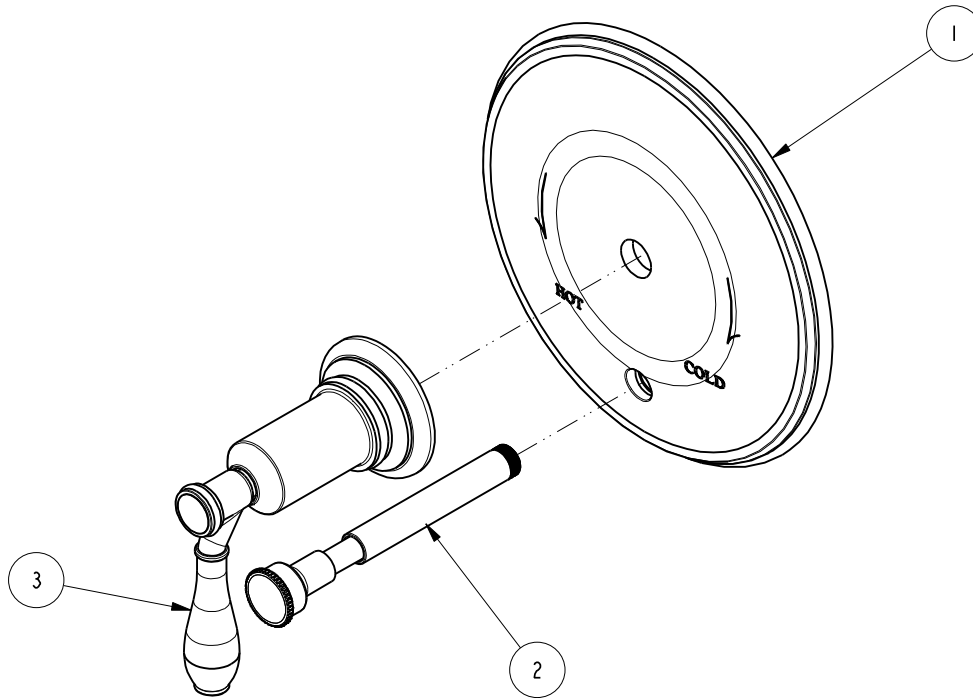


NOTES:

(NI) 1. FIT / FORM / FUNCTION SHALL FOLLOW PS-E.008.

BILL OF MATERIAL (CURRENT LEVEL)

ITEM	PT/ASSY	DESCRIPTION	TYPE	QTY.
1	8-092	TUB AND SHOWER PLATE ASM	ASSEMBLY	1
2	8-091	DIVERTER TRIM ASM	ASSEMBLY	1
3	3-593	FLOW CONTROL HANDLE	ASSEMBLY	1



ZONE	REV	DESCRIPTION	DATE	APPROVED	
-	B	EN-3271A	12/18/17	J.A.	COPYRIGHT 2005 BRASSTECH, INC. THESE DRAWINGS AND THE DESIGNS DEPICTED HEREIN ARE THE PROPRIETARY PROPERTY OF BRASSTECH. ANY USE OR REPRODUCTION IS SUBJECT TO THE EXPRESS APPROVAL OF BRASSTECH. UNAUTHORIZED USE IS STRICTLY PROHIBITED. ALL RIGHTS RESERVED.
-	A	EN-2997	08/25/16	J.A.	
-	-	EN-2735	04/30/14	J.M.	
-	-				

TESTING	ASSEMBLY	PLATING	POLISHING	MACHINING	TOOLING FIXTURE #	APPLICATION
-	-	-	-	-		REMOVE ALL BURRS AND SHARP EDGES

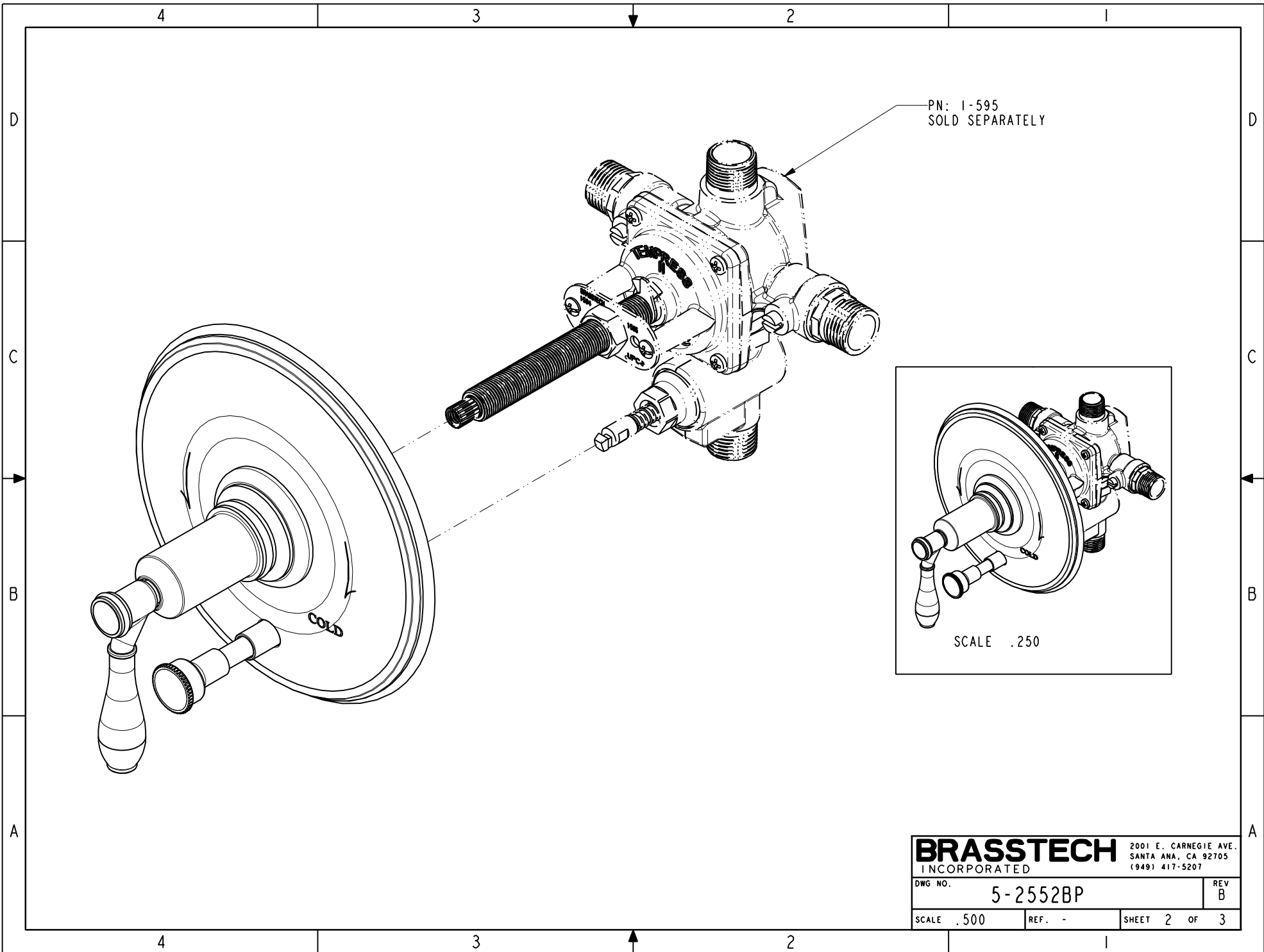
UNITS ARE: INCHES [MM]
 TOLERANCES ARE:
 FRACTIONS DECIMALS ANGLES
 $\pm 1/16"$.X $\pm .1$ [2.5] $\pm 1^\circ$
 .XX $\pm .06$ [1.5]
 (X.XXX) DENOTES CRITICAL DIMS.
 ALL THREADS ARE CRITICAL
 DRAWN JINSON 12/18/17
 CHECKED J.A. 12/18/17
 APPROVED J.A. 12/18/17

BRASSTECH 2001 CARNEGIE AVE.
 INCORPORATED SANTA ANA, CA 92705
 (949) 417-5207

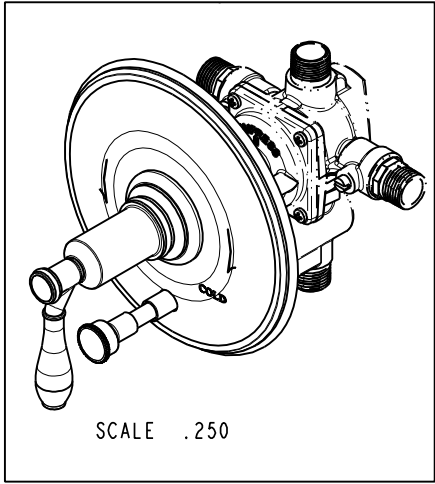
**BP TRIM PLATE WITH
 DIVERTER, LEVER HANDLE**

DWG NO. **5-2552BP** REV B

SCALE .375 REF. - SHEET 1 OF 3



PN: 1-595
SOLD SEPARATELY

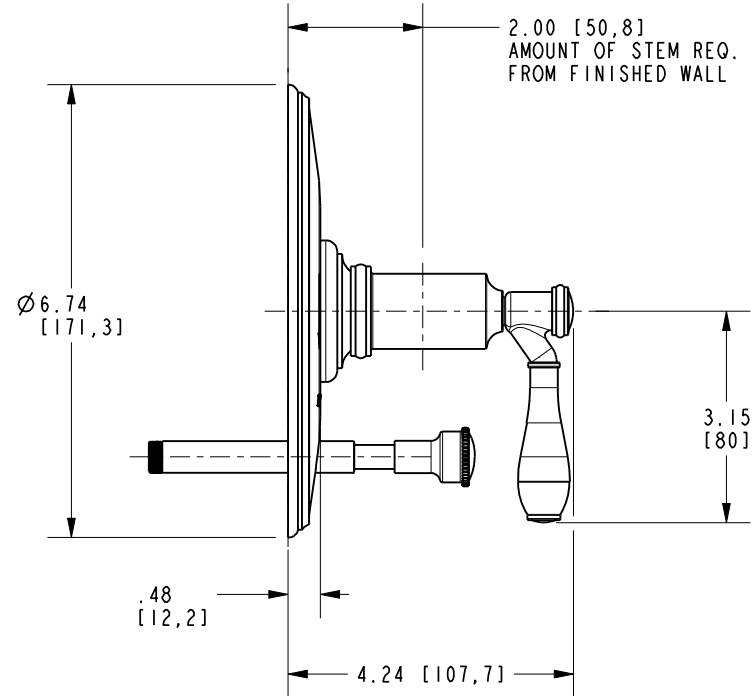
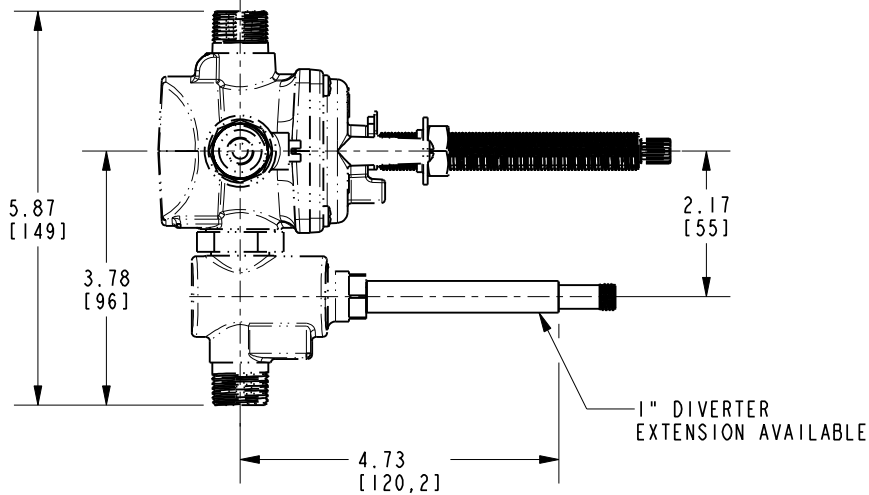
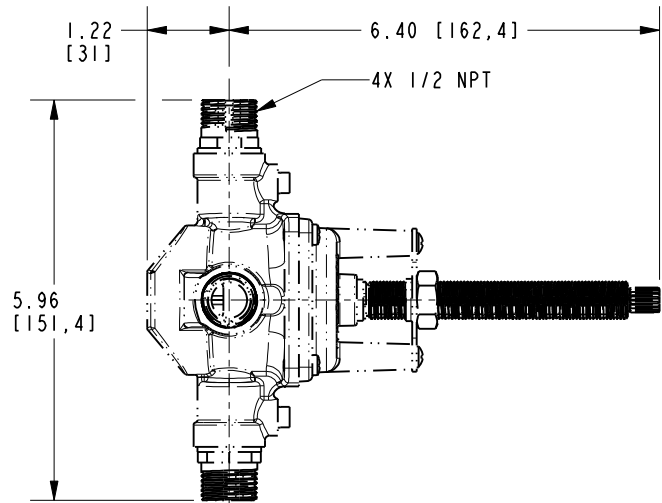


BRASSTECH		2001 E. CARNEGIE AVE.	
INCORPORATED		SANTA ANA, CA 92705	
		(949) 417-5207	
DWG NO.	5-2552BP	REV	B
SCALE .500	REF. -	SHEET 2	OF 3

NOTES:



CUT ALL-THREAD 1" SHORTER THAN STEM.



BRASSTECH 2001 E. CARNEGIE AVE.
INCORPORATED SANTA ANA, CA 92705
(949) 417-5207

DWG NO.	5-2552BP	REV	B
SCALE	.350	REF.	-
SHEET 3		OF 3	