

NOTES:

(NI) 1. FIT / FORM / FUNCTION SHALL FOLLOW PS-E.008.

BILL OF MATERIAL (CURRENT LEVEL)

ITEM	PT/ASSY	DESCRIPTION	TYPE	QTY.
1	2-772	TUB AND SHOWER PLATE ASM	ASSEMBLY	1
2	20-300	LEVER ASM	ASSEMBLY	1
3	2-217	DIVERTER TRIM KIT	ASSEMBLY	1

UNITS ARE: INCHES [MM]
 TOLERANCES ARE:
 FRACTIONS DECIMALS ANGLES
 $\pm 1/16"$.X $\pm .1$ [2.5] $\pm 1^\circ$
 .XX $\pm .06$ [1.5]
 (X.XXX) DENOTES CRITICAL DIMS.
 ALL THREADS ARE CRITICAL

BRASSTECH INCORPORATED
 2001 CARNEGIE AVE.
 SANTA ANA, CA 92705
 (949) 417-5207

BP TRIM PLATE WITH
 DIVERTER, LEVER HANDLE

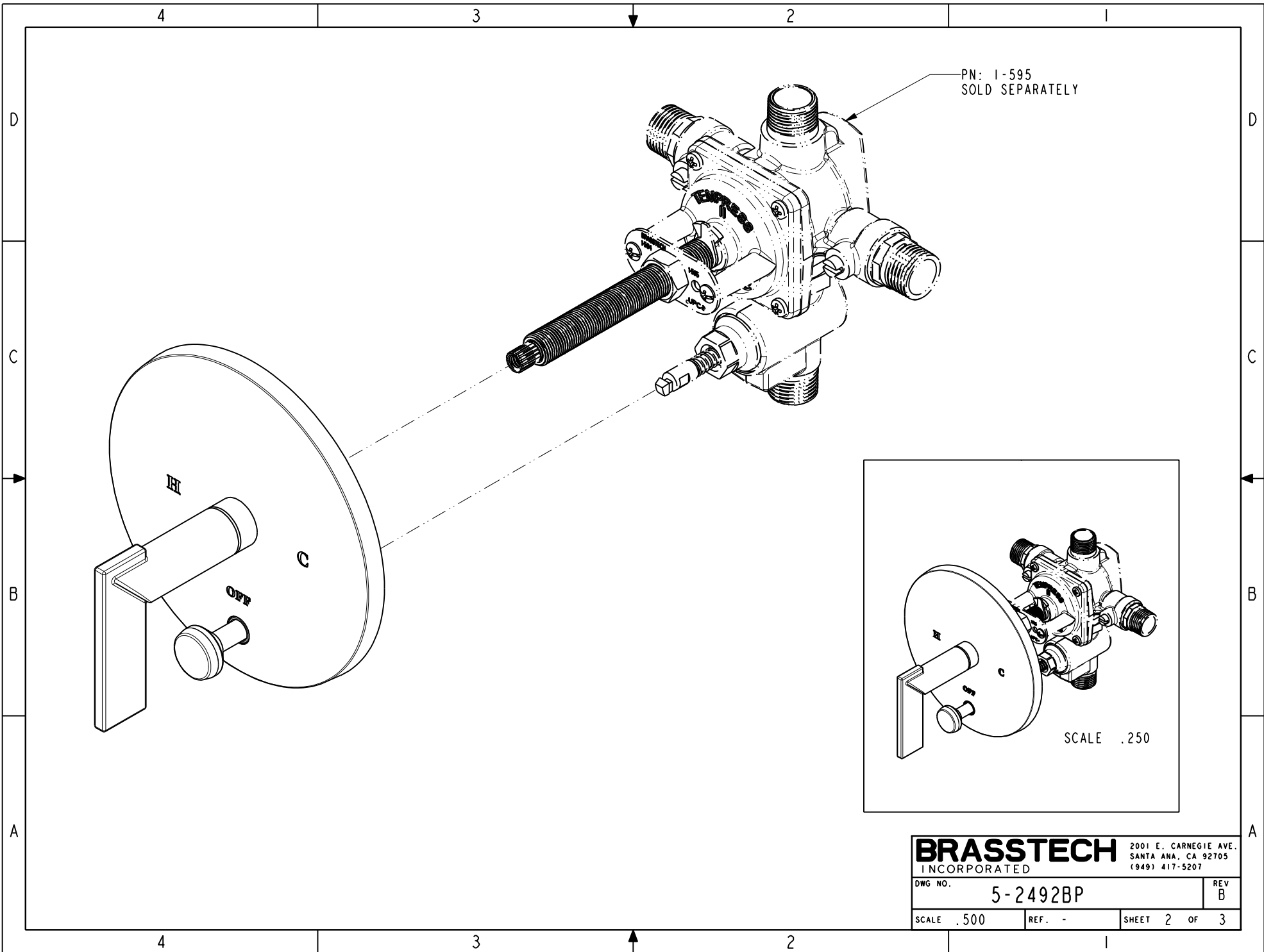
ZONE	REV	DESCRIPTION	DATE	APPROVED
-	B	EN-3334	01/09/18	J.A.
-	A	EN-2997	08/25/16	J.A.
-	-	EN-2735	04/30/14	J.M.

COPYRIGHT 2005 BRASSTECH, INC.
 THESE DRAWINGS AND THE DESIGNS
 DEPICTED HEREIN ARE THE PROPRIETARY
 PROPERTY OF BRASSTECH. ANY USE
 OR REPRODUCTION IS SUBJECT TO
 THE EXPRESS APPROVAL OF BRASSTECH.
 UNAUTHORIZED USE IS STRICTLY
 PROHIBITED. ALL RIGHTS RESERVED.

TESTING	ASSEMBLY	PLATING	POLISHING	MACHINING	TOOLING FIXTURE #	APPLICATION
-	-	-	-	-	-	REMOVE ALL BURRS AND SHARP EDGES

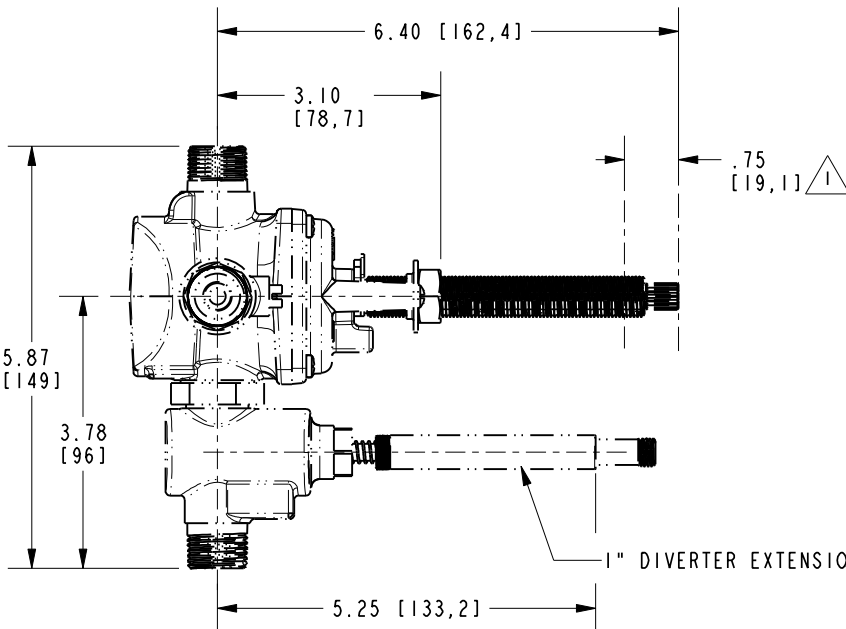
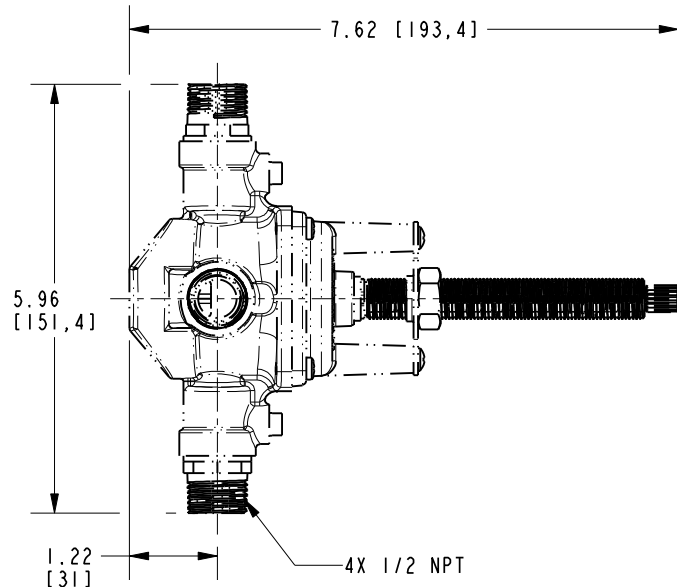
DRAWN	CHECKED	APPROVED
JINSON 01/09/18	J.A. 01/09/18	J.A. 01/09/18

DWG NO.	REV	SCALE	REF.	SHEET	OF
5-2492BP	B	.500	-	1	3

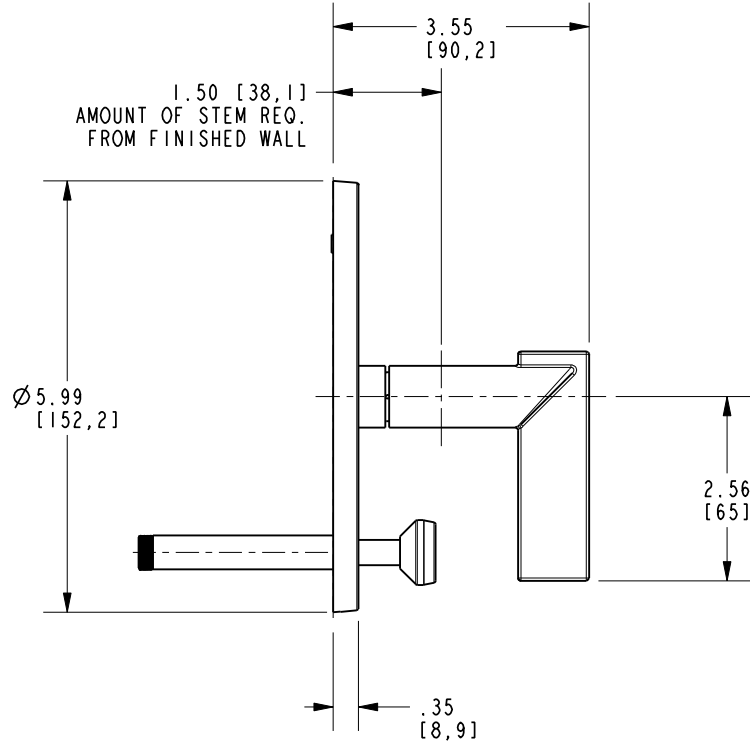


NOTE:

1. CUT ALL-THREAD 0.75" SHORTER THAN STEM



1" DIVERTER EXTENSION AVAILABLE



BRASSTECH		2001 E. CARNEGIE AVE. SANTA ANA, CA 92705 (949) 417-5207	
INCORPORATED			
DWG NO.	5-2492BP		REV B
SCALE .375	REF. -	SHEET 3 OF 3	