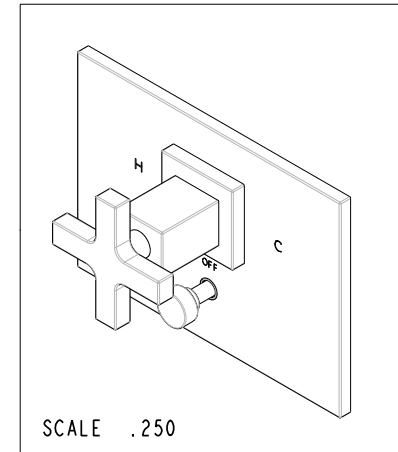
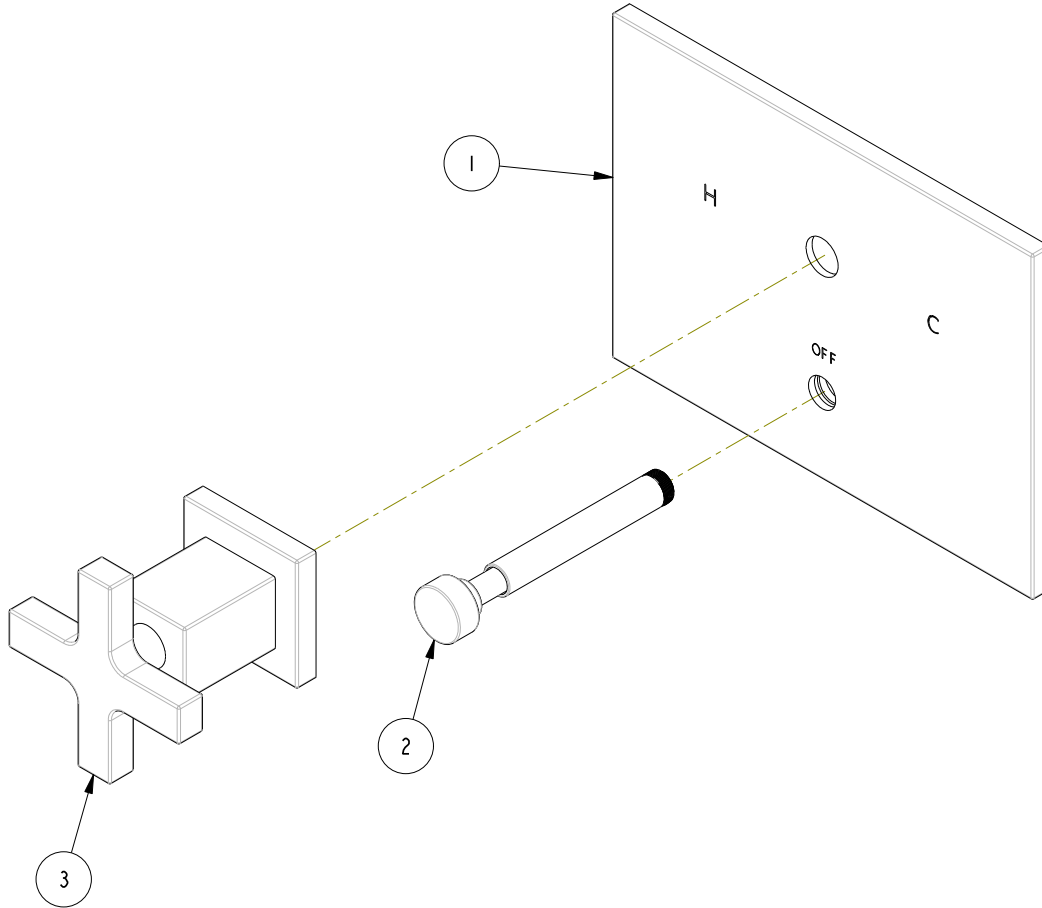


NOTES:

(N1) 1. FIT / FORM / FUNCTION SHALL FOLLOW PS-E.008.

BILL OF MATERIAL (CURRENT LEVEL)

ITEM	PT/ASSY	DESCRIPTION	TYPE	QTY.
1	2-641	BP TUB SHOWER PLATE ASSEMBLY	ASSEMBLY	1
2	2-618	DIVERTER TRIM KIT	ASSEMBLY	1
3	3-577	HANDLE CROSS/ ESC ASM	ASSEMBLY	1



ZONE	REV	DESCRIPTION	DATE	APPROVED
-	-	EN-3084c	10/05/16	AN

COPYRIGHT 2005 BRASSTECH, INC. THESE DRAWINGS AND THE DESIGNS DEPICTED HEREIN ARE THE PROPRIETARY PROPERTY OF BRASSTECH. ANY USE OR REPRODUCTION IS SUBJECT TO THE EXPRESS APPROVAL OF BRASSTECH. UNAUTHORIZED USE IS STRICTLY PROHIBITED. ALL RIGHTS RESERVED.

TESTING	ASSEMBLY	PLATING	POLISHING	MACHINING	TOOLING FIXTURE #	APPLICATION
-	-	-	-	-	-	REMOVE ALL BURRS AND SHARP EDGES

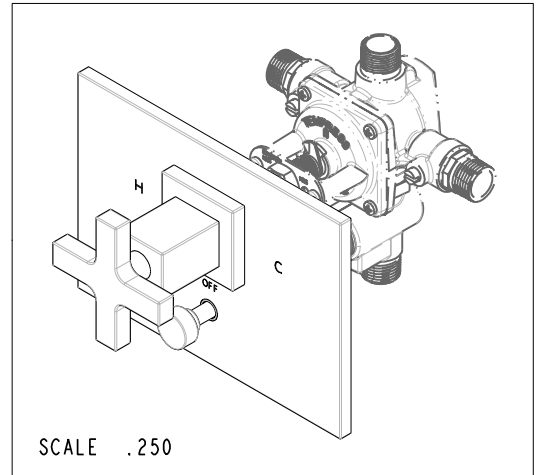
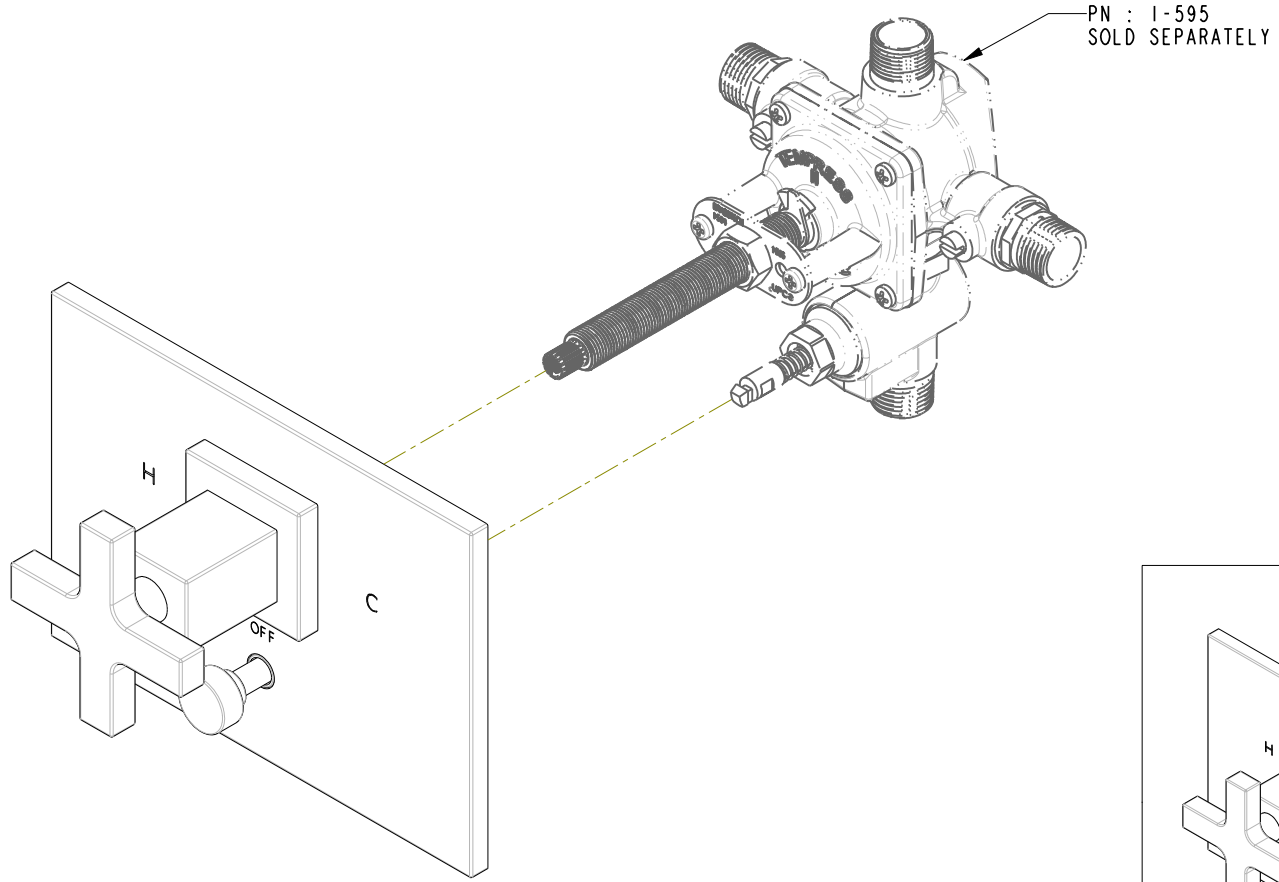
UNITS ARE: INCHES [MM]		
TOLERANCES ARE:		
FRACTIONS	DECIMALS	ANGLES
±1/16"	.X ±.1 (2.5)	±1°
	.XX ±.06 (1.5)	
(X.XXX) DENOTES CRITICAL DIMS.		
ALL THREADS ARE CRITICAL		
DRAWN	AN	10/05/16
CHECKED	AN	10/05/16
APPROVED	AN	10/05/16

BRASSTECH 2001 CARNEGIE AVE.
INCORPORATED SANTA ANA, CA 92705
(949) 417-5207

**BP TUB & SHOWER TRIM
(LESS SHAF)**

DWG NO. **5-2062BP** REV -

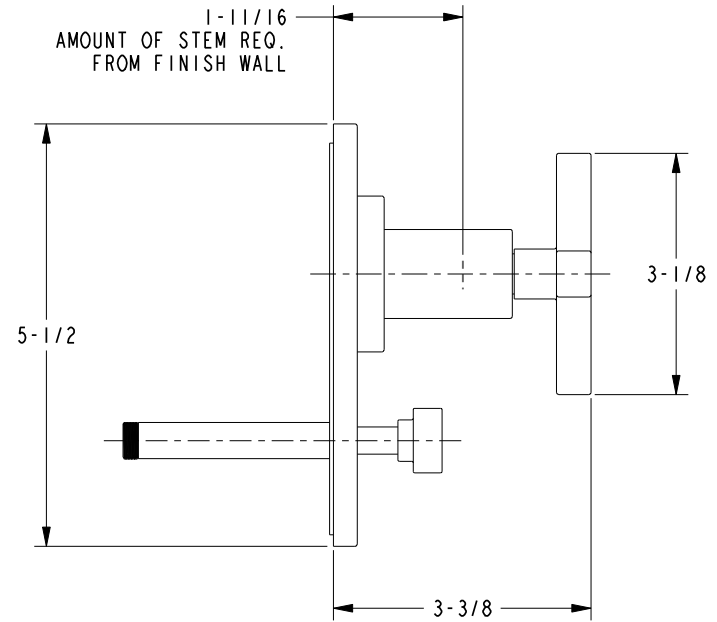
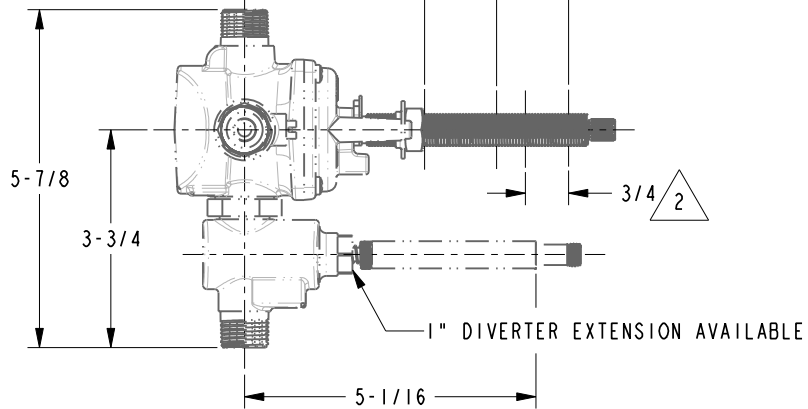
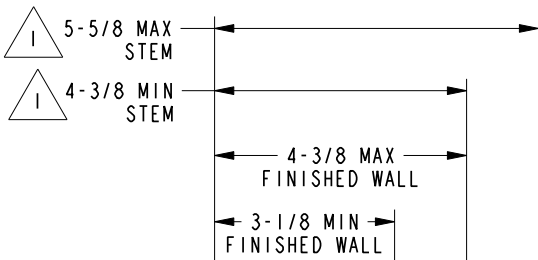
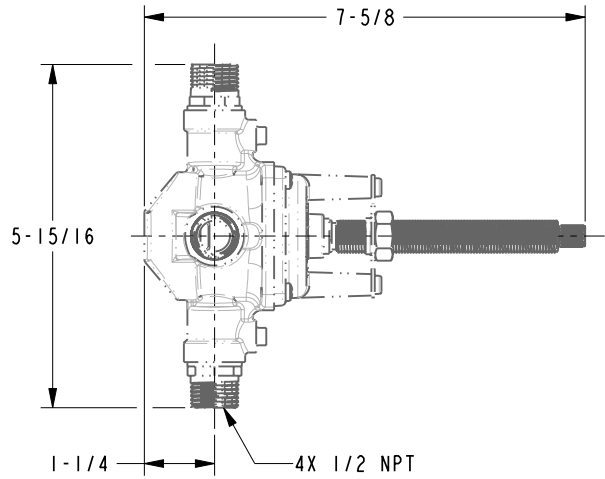
SCALE .400 REF. - SHEET 1 OF 3



BRASSTECH		2001 E. CARNEGIE AVE.	
INCORPORATED		SANTA ANA, CA 92705	
DWG NO.		REV	
5-2062BP		-	
SCALE .400	REF. -	SHEET 2	OF 3

NOTES:

- 1 CUT STEM TO DIMENSION SHOWN.
- 2 CUT ALL-THREAD 3/4" SHORTER THAN STEM.



BRASSTECH		2001 E. CARNEGIE AVE. SANTA ANA, CA 92705 (949) 417-5207	
DWG NO.	5-2062BP		REV -
SCALE .400	REF. -	SHEET 3 OF 3	