

Cambridge

Model # 4834

Cambridge 28in Tall Planter



DESCRIPTION

The Cambridge Tall Planter has a timeless and classic look to compliment any outdoor living space, with its curved shape, this planter offers a unique blend of modern and traditional design.

- Single wall molded design with removable tray
- Self watering tray insert creates sub-irrigation water system
- Weather resistant, low maintenance material
- 100% high-grade polyethylene planter with UV inhibitors
- Warranty: 15-Yr Residential Use / 5-Yr Commercial Use

PRODUCT DIMENSIONS

Outside Dimensions: 15.8in L x 15.8in W x 28.3in H (40.1cm x 40.1cm x 71.8cm)

Inside Dimensions: 11in L x 11in W x 10.7in D (27.9cm x 27.9cm x 27.2cm)

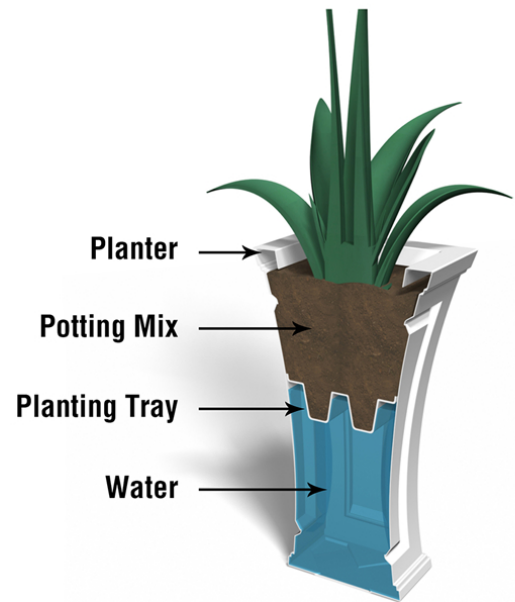
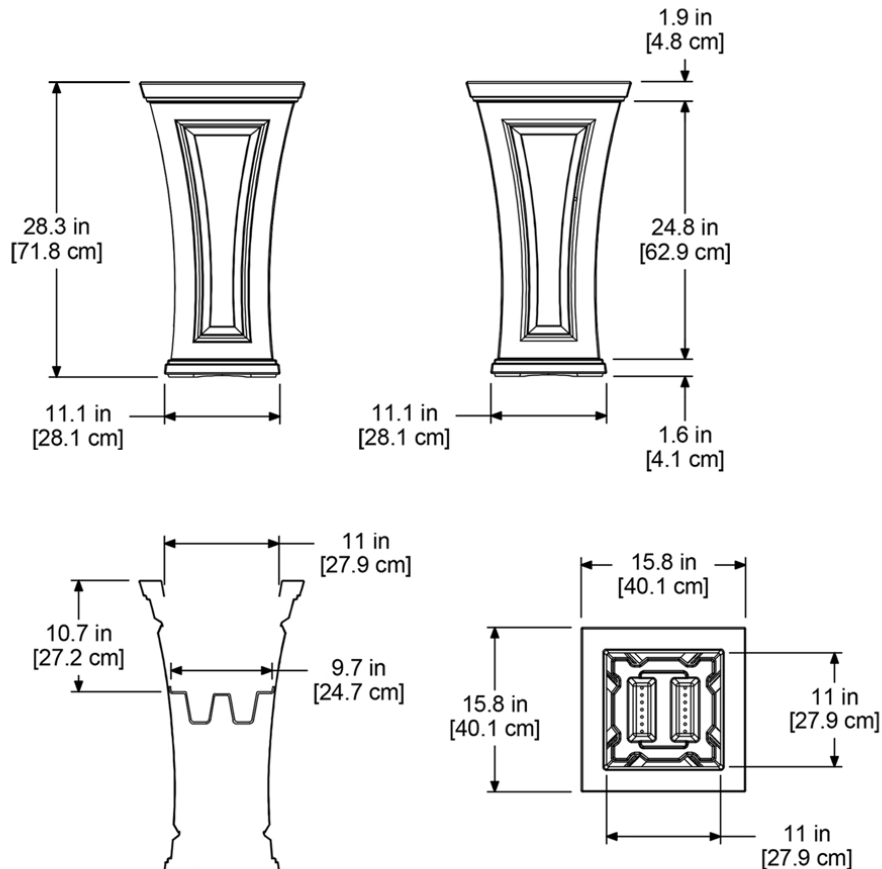
Soil Capacity: 8 Gallons (30.2 Liters)

Water Reservoir Capacity: 6.5 Gallons (28 Liters)

Wall Thickness: 0.15in (3.8mm)

Part Weight: 10lbs (4.5kg)

Material: Polyethylene



MAYNE[®]
Outdoor Products of Distinction

7024 Kilbourne Rd - Unit A London, ON N6P 1K6

Tel: 866-363-8834 | www.gomayne.com

customerservice@gomayne.com