

AXOR MyEdition
Wall-Mounted Single-Handle Faucet Trim, 1.2 GPM
 Finishes : **chrome / mirror glass** Part no. : **47060001**



Description

Features

- PowderRain spray
- Flow: 1.2 GPM (4.5 L/Min)
- Ceramic cartridge

Item details

Technology



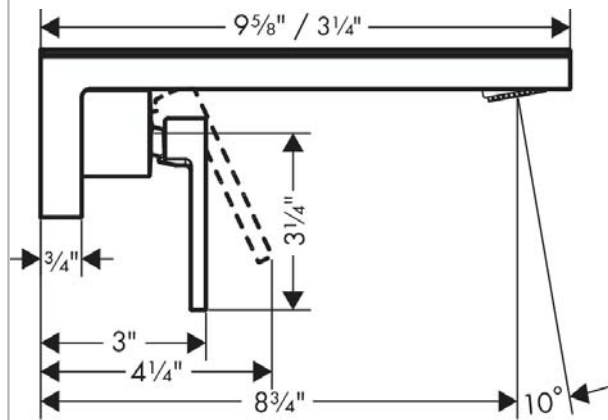
Compliance



Product image



Scale drawing

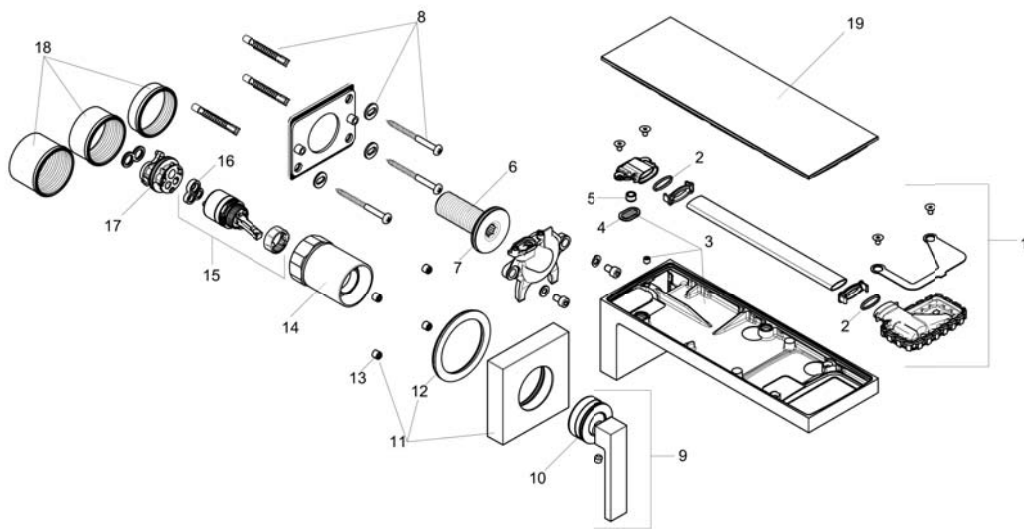


AXOR MyEdition
Wall-Mounted Single-Handle Faucet Trim, 1.2 GPM
Finishes : **chrome / mirror glass** Part no. : **47060001**



Exploded drawing

Year of production: >02/19



AXOR MyEdition
Wall-Mounted Single-Handle Faucet Trim, 1.2 GPM
 Finishes : **chrome / mirror glass** Part no. : **47060001**



Spare parts list

Year of production: >02/19

Pos.	Description	Part no.	Price	PU
1	spray former	93385000	-	1
2	O-ring 13x1,5	98475000	-	1
3	spout 220 mm	93370000	-	1
4	filter packing	93374000	-	1
5	flow limiter (5 l/min)	95311000	-	1
6	connecting thread G½	93387000	-	1
7	O-ring 36x2	98156000	-	1
8	mounting set	96179000	-	1
9	handle	93372000	-	1
10	O-ring 33x1,5	98164000	-	1
11	escutcheon for handle	93371000	-	1
12	washer	97600000	-	1
13	screw cover	96762000	-	1
14	sleeve	93373000	-	1
15	cartridge, assy	92900000	-	1
16	seal	93383000	-	1
17	O-ring 26x2	98147000	-	1
18	fixing set	97971000	-	1
19	cover	47901000	-	1
a	extension 25 mm	13586000	-	1
b	installation plate	93407000	-	1