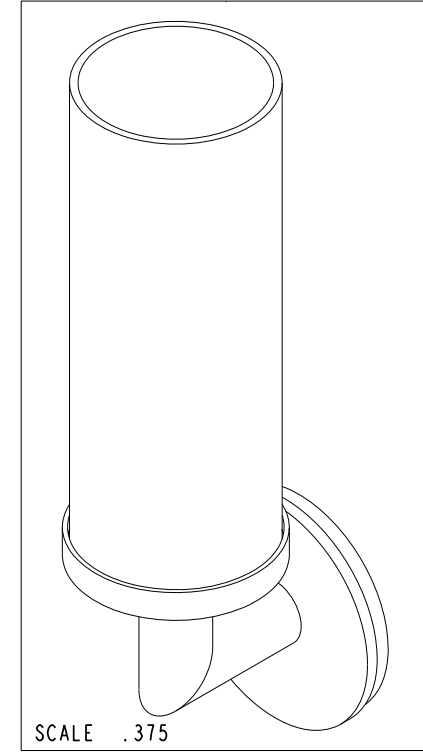
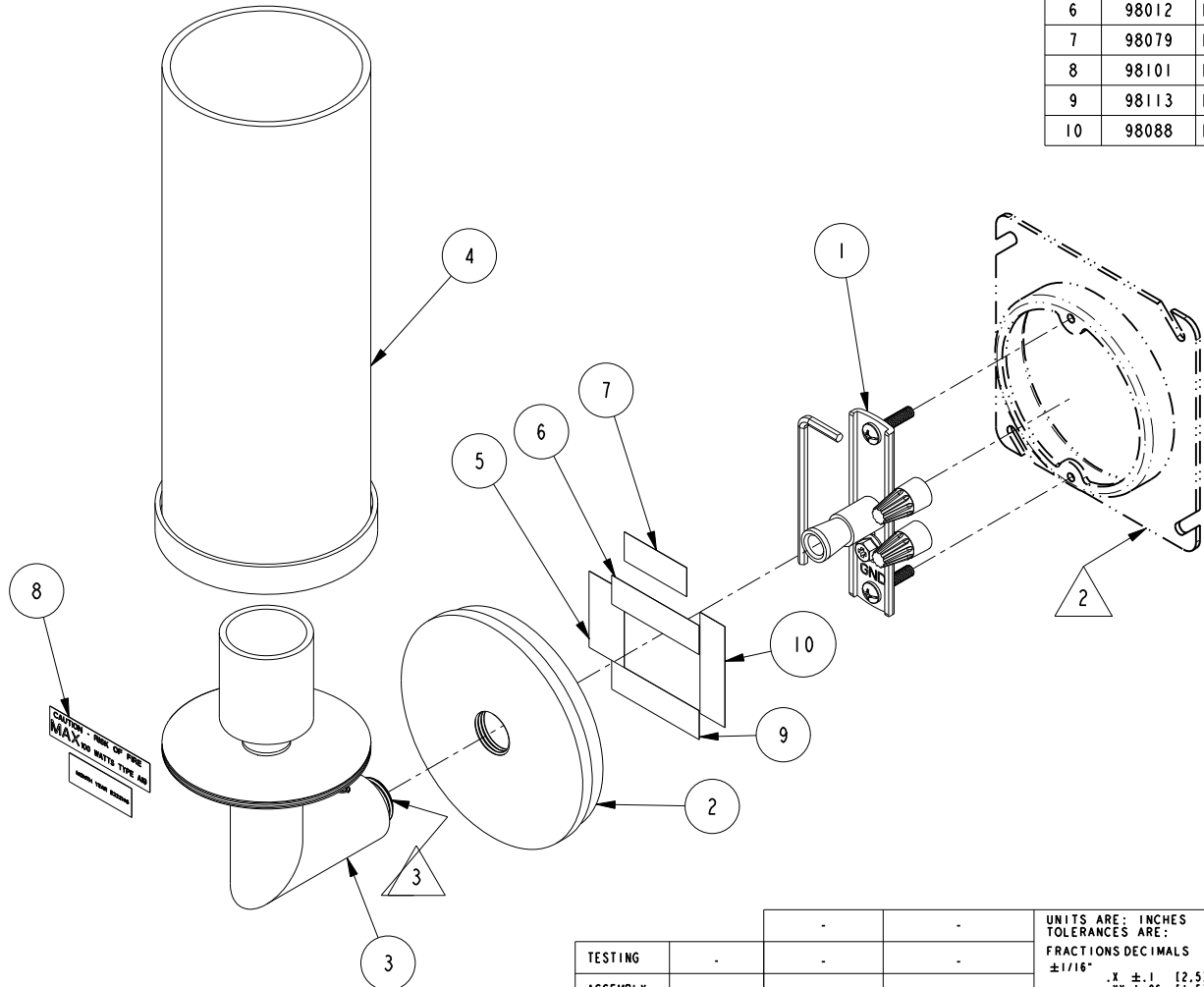


NOTES:

- (N1) 1. FIT / FORM / FUNCTION SHALL FOLLOW PS-E.008.
- (N2) 2. PART NO DWRR SOLD SEPARATELY.
- (N3) 3. APPLY LOCTITE 680.

BILL OF MATERIAL (CURRENT LEVEL)

ITEM	PT/ASSY	DESCRIPTION	TYPE	QTY.
1	3681-CB	LIGHT MOUNTING KIT	ASSEMBLY	1
2	3681-RB	BASE	PART	1
3	3681-BAW	BODY ASSEMBLY	ASSEMBLY	1
4	3681-G-O	SHADE ASSEMBLY	ASSEMBLY	1
5	98006	LABEL, UL LISTED	PART	1
6	98012	LABEL, WALL MOUNT ONLY	PART	1
7	98079	LABEL, MONTH YEAR E222146	PART	2
8	98101	LABEL, 100 WATTS MAX	PART	1
9	98113	LABEL, PNXXX INCANDESCENT FOR DAMP LOCATIONS	PART	1
10	98088	LABEL, MIN 75 C SUPPLY CONDUCTORS	PART	1



TESTING	-	-	-
ASSEMBLY	-	-	-
PLATING	-	-	-
POLISHING	-	NEXT ASSY	USED ON
MACHINING	-	APPLICATION	
TOOLING FIXTURE #	REMOVE ALL BURRS AND SHARP EDGES		

UNITS ARE: INCHES [MM]	
TOLERANCES ARE:	
FRACTIONS DECIMALS	ANGLES
±1/16"	±1°
.X ±.1 [2,5]	
.XX ±.06 [1,5]	
(X.XXX) DENOTES CRITICAL DIMS.	
ALL THREADS ARE CRITICAL	
DRAWN	VINAY 08/30/16
CHECKED	RAVINDRA 08/30/16
APPROVED	R.S. 08/30/16

BRASSTECH 2001 CARNEGIE AVE.
INCORPORATED SANTA ANA, CA 92705
(949) 417-5207

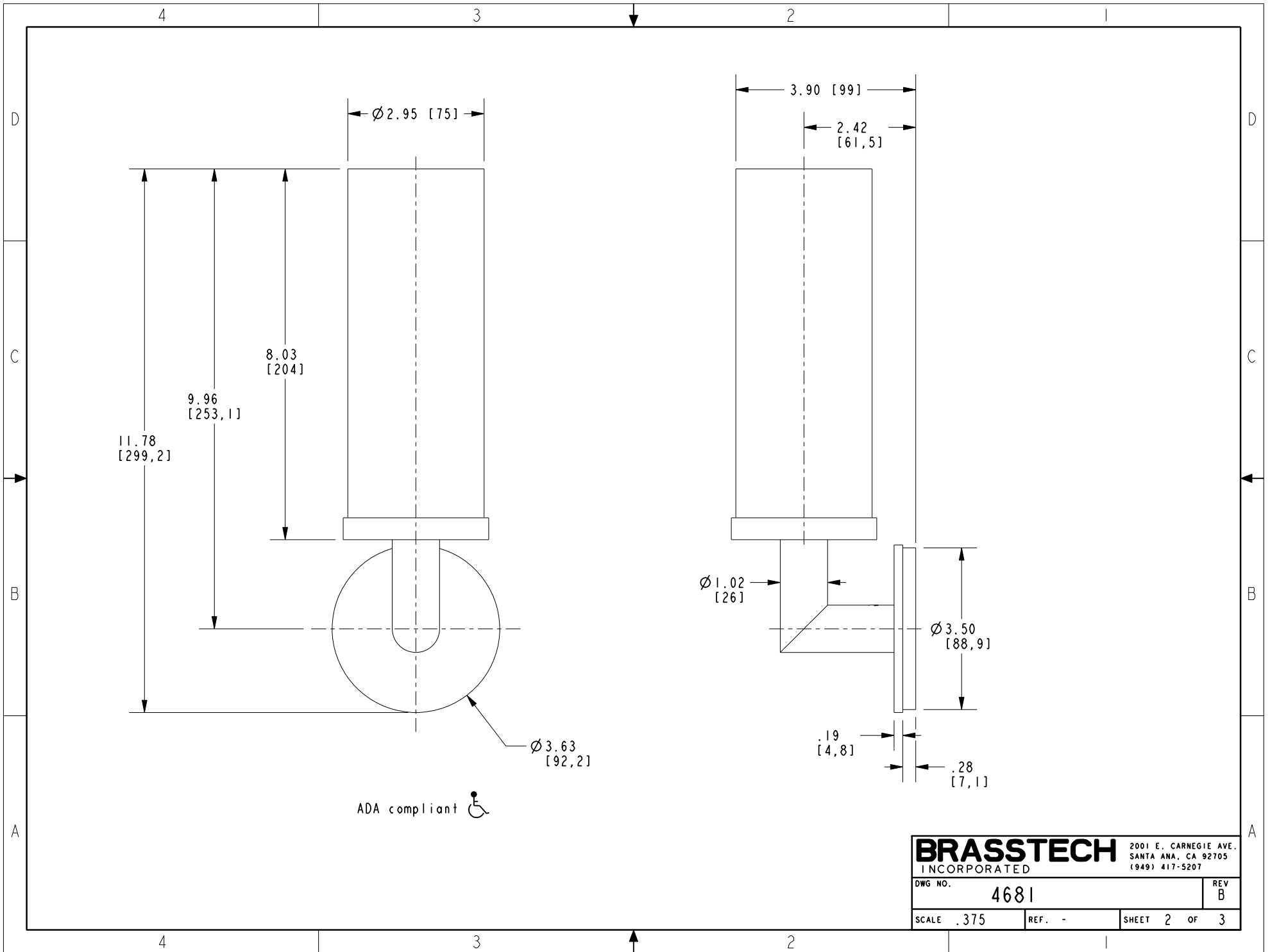
SINGLE LIGHT W/SMALL BASE

DWG NO. **4681** REV **B**

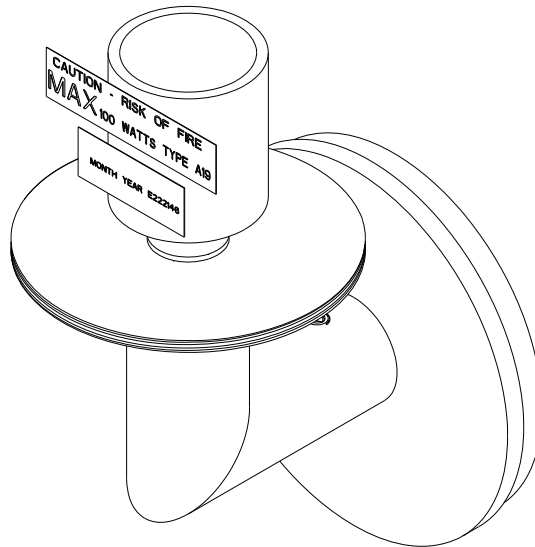
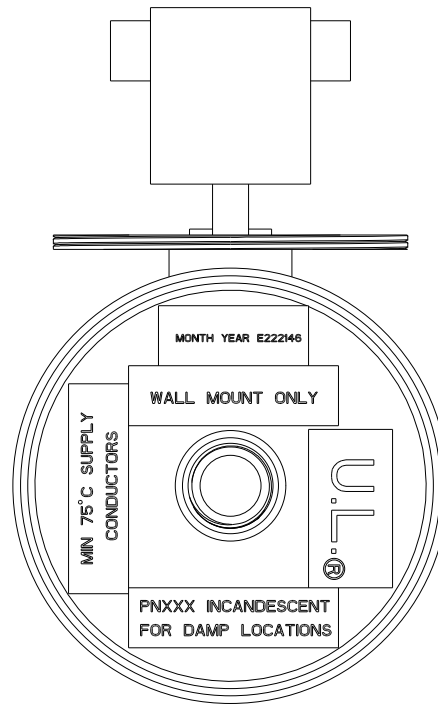
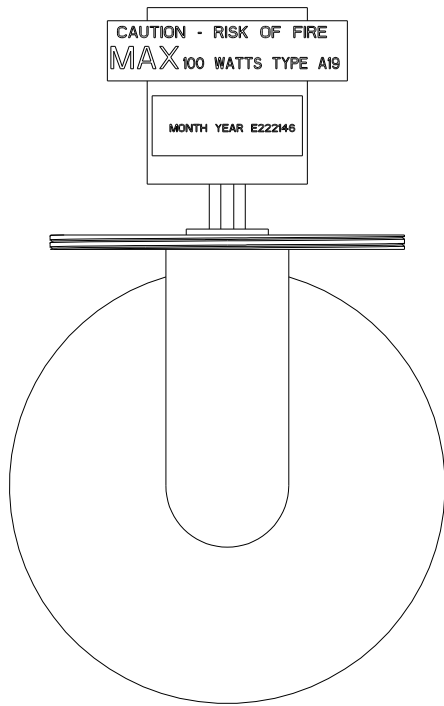
SCALE .375 REF. - SHEET 1 OF 3

-	B	EN-3127	08/30/16	R.S.
-	A	EN-2574	08/06/13	-
-	-	EN-1674	06/08/11	-
ZONE	REV	DESCRIPTION	DATE	APPROVED

COPYRIGHT 2005 BRASSTECH, INC. THESE DRAWINGS AND THE DESIGNS DEPICTED HEREIN ARE THE PROPRIETARY PROPERTY OF BRASSTECH. ANY USE OR REPRODUCTION IS SUBJECT TO THE EXPRESS APPROVAL OF BRASSTECH. UNAUTHORIZED USE IS STRICTLY PROHIBITED. ALL RIGHTS RESERVED.



BRASSTECH		2001 E. CARNEGIE AVE.	
INCORPORATED		SANTA ANA, CA 92705	
DWG NO. 4681		REV B	
SCALE .375	REF. -	SHEET 2 OF 3	



BRASSTECH		2001 E. CARNEGIE AVE. SANTA ANA, CA 92705 (949) 417-5207	
INCORPORATED			
DWG NO.	4681	REV	B
SCALE .625	REF. -	SHEET 3	OF 3