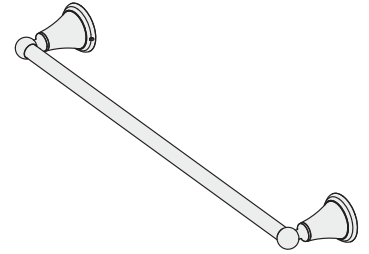




SYMMONS® Lucetta™

18 inch Towel Bar 463TB-18

Specification Submittal



Model Numbers

- 463TB-18 18 inch Towel Bar

Finish Options

Append appropriate -suffix to model number.

- STN Satin nickel finish
- Polished chrome finish (standard)

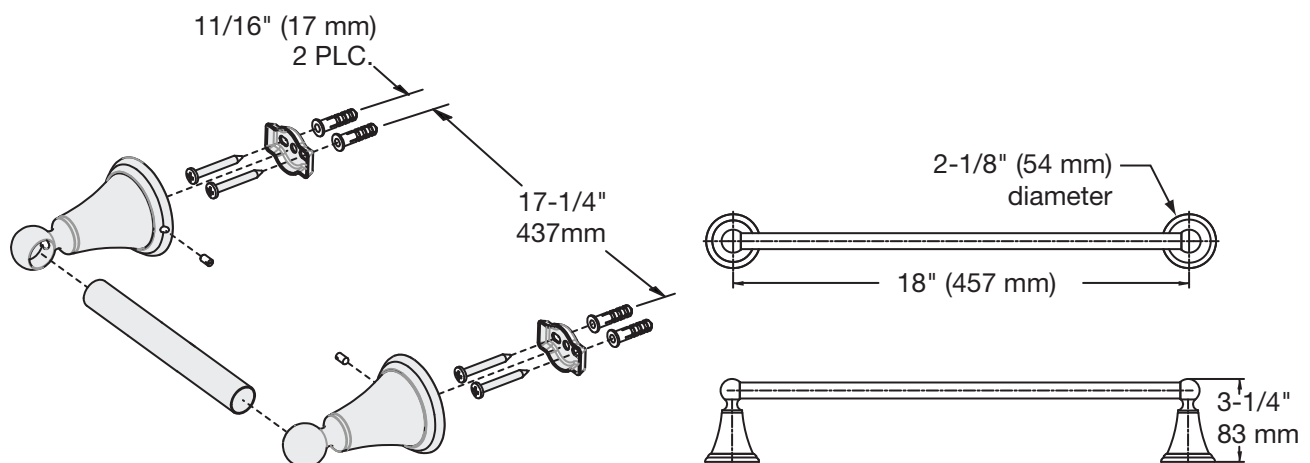
Feature Highlights

- Metal construction,
- Standard finish is polished chrome

Warranty

- Limited Lifetime - to the original end purchaser in residential/consumer installations.
- 5 years - for commercial installations

Dimensions *Lucetta Towel Bar, 463TB-18*



Note: Dimensions subject to change without notice

Symmons Industries, Inc. ■ 31 Brooks Drive ■ Braintree, MA 02184
(800) 796-6667, (781) 848-2250 ■ Fax (800) 961-9621, (781) 843-3849
Website: www.symmons.com ■ Email: customerservice@symmons.com

©2008 Symmons Industries, Inc. Printed in U.S.A. ■ 102808



SYMMONS®

the smart choice™