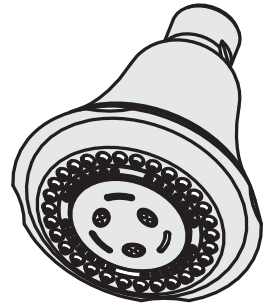


Location:



Showerhead 442SH Specification Submittal

Model Numbers

- 442SH Showerhead

Options / Modifications

Append appropriate -suffix to model number.

- 2.0 2.0 (7.6 L/min) Flow rate restrictor
- 1.5 1.5 (5.7 L/min) Flow rate restrictor
- VP Vandal resistant

Finish Options / Modifications

Append appropriate -suffix to model number.

- STN Satin nickel finish
- Polished chrome finish (standard finish)

Feature Highlights

- 3 inch showerhead
- Three mode, spray jet and pulse
- Polished chrome finish (standard)

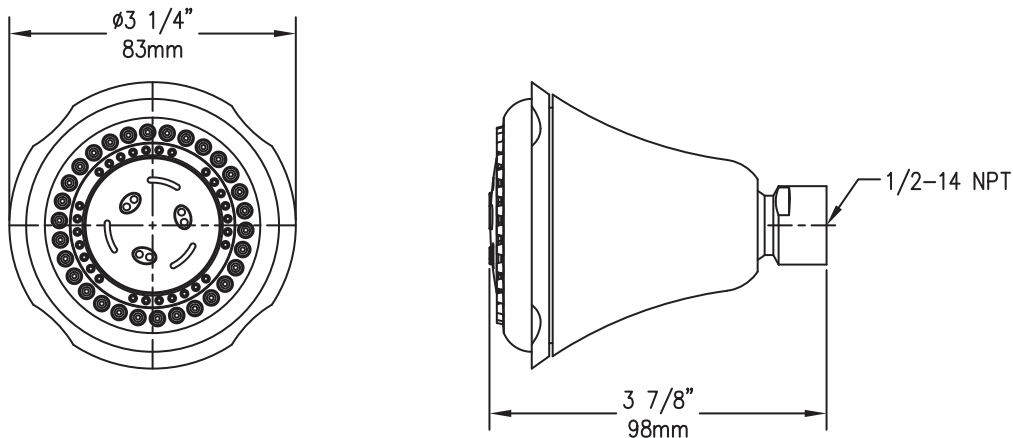
Standards / Certifications

ASME A112.18.1-2005/CSA B125.1-05

Warranty

- Limited Lifetime - to the original end purchaser in consumer installations.
- 5 years - for commercial installations

Dimensions Showerhead, 442SH



Note: Dimensions subject to change without notice.

Symmons Industries, Inc. ■ 31 Brooks Drive ■ Braintree, MA 02184
(800) 796-6667, (781) 848-2250 ■ Fax (800) 961-9621, (781) 664-1300
Website: www.symmons.com ■ Email: customerservice@symmons.com

©2009 Symmons Industries, Inc. Printed in U.S.A. ■ 060109

