


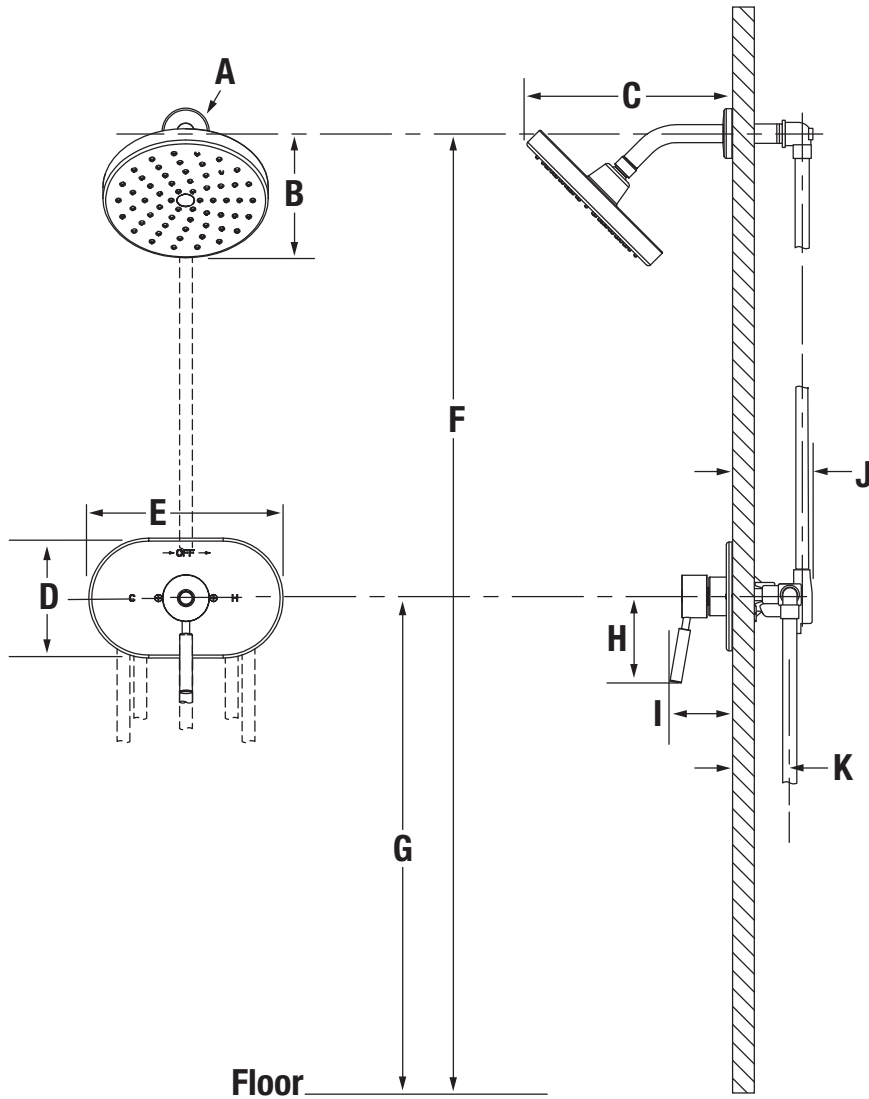


4300-TRM, 4301-TRM
Sereno[™] Trim Series
Operation & Maintenance Manual

Model Numbers	Specifications
<input type="checkbox"/> 4300-TRM <i>Valve Trim</i> <input type="checkbox"/> 4301-TRM <i>Shower Trim</i>	<p>Shower trim includes shower escutcheon kit and 1 mode showerhead with standard 2.5 gpm (9.5 L/min) flow restrictor. Valve trim includes shower escutcheon kit only. Components made from metal and nonmetallic materials plated in standard polished chrome finish.</p>
Modifications	Compliance
<input type="checkbox"/> -1.5  1.5 gpm (5.7 L/min) flow restrictor <input type="checkbox"/> -2.0  2.0 gpm (7.6 L/min) flow restrictor <input type="checkbox"/> -STN <i>Satin nickel finish</i>	<p>-ASME A112.18.1; CSA B125.1</p> 
<p>Note: Append appropriate -suffix to model number.</p>	Warranty
	<p>Limited Lifetime - to the original end purchaser in consumer installations. 5 Years - for commercial installations.</p> <p>Refer to www.symmons.com/warranty for complete warranty information.</p>

Dimensions

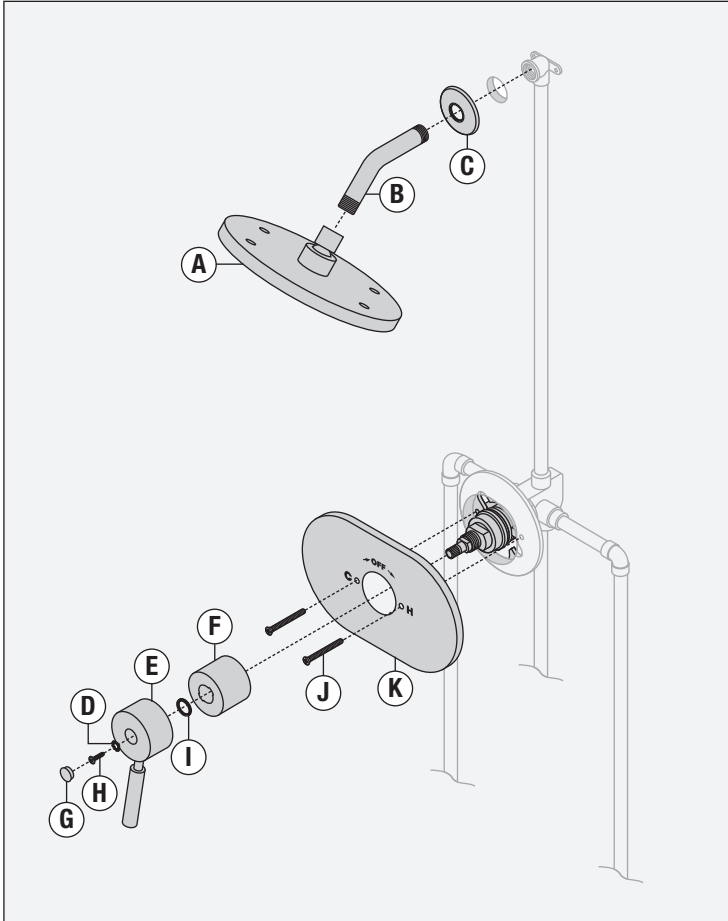


Measurements	
A	Ø 2 1/4", 57 mm
B	6", 152 mm
C	9 1/4", 235 mm
D	5 3/4", 146 mm
E	9 1/4", 235 mm
F	77", 1956 mm
G	42", 1066 mm
H	4 1/2", 114 mm
I	3 1/4", 83 mm
J	3 1/2", 89 mm
K	(Rough in) 2 3/8" ± 1/2", 60 mm ± 13 mm

Notes:

- 1) All dimensions measured from nominal rough-in (see K as reference).
- 2) Dimensions are subject to change without notice.

Parts Breakdown




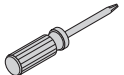

Replacement Parts

Item	Description	Part Number
A	Showerhead	432SH
B C	Shower Arm Flange	300
D E G H	Star Washer Handle Plug Button Set Screw	T-251
F I	Dome Cover Lock Nut	T-19/20-PL
J K	Mounting Screws Shower Escutcheon	T-249

Notes:

- 1) Append -STN to part number for satin nickel finish.
- 2) Append -1.5 or -2.0 to showerhead for low flow.

Required for Installation

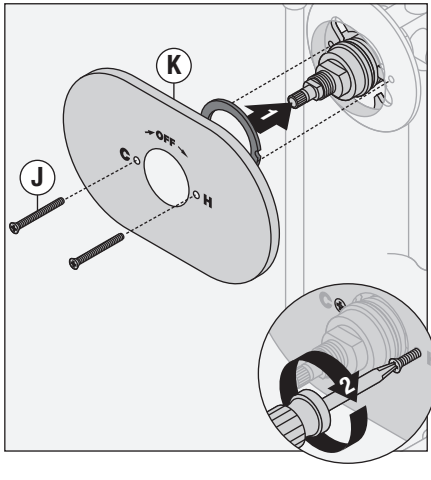
Adjustable wrench	
Phillips head screwdriver	
Plumber tape	

Installation

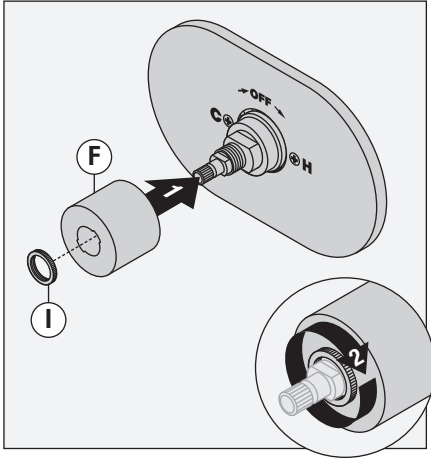
Note:

For valve body installation, please see valve body installation guide.

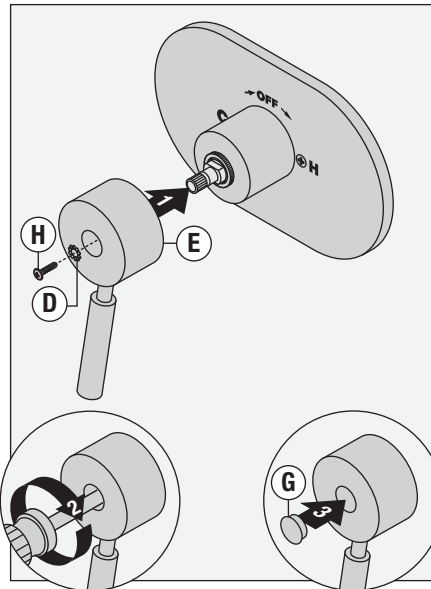
- 1) Install shower escutcheon (K) to shower valve. Secure with two screws (J).



- 2) Install shower dome cover (F) to valve. Secure with lock nut (I).

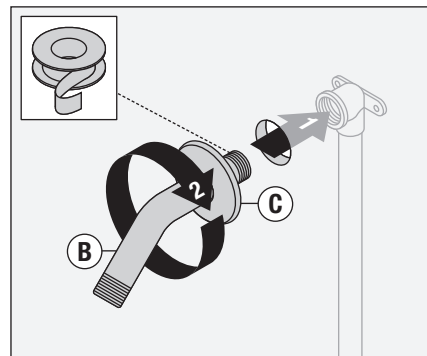


- 3) Install shower handle (E) to valve. Secure handle with star washer (D) and screw (H). Attach plug button (G) to handle.

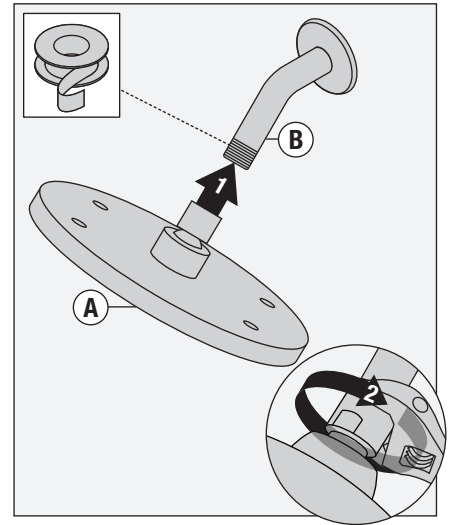


Note: Handles should be facing the 6 o'clock position.

- 4) Attach shower arm (B) and flange (C) to vertical shower pipe. Turn clockwise to tighten.



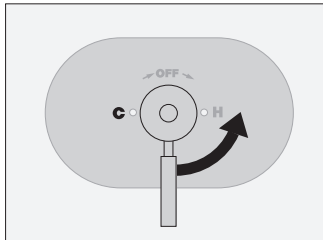
- 5) Install showerhead (A) to shower arm (B). Turn clockwise to tighten.



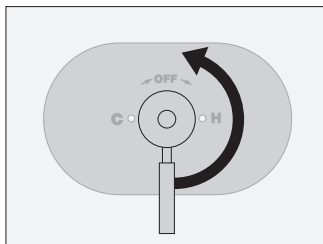
Operation

Temperature Control

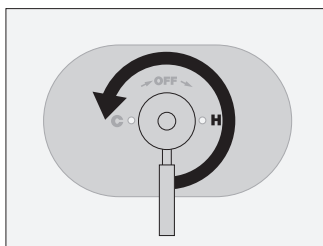
- 1) Turn shower handle counterclockwise approximately 1/4 turn to put valve in cold position.



- 2) Turn shower handle counterclockwise approximately 1/2 turn to put valve in warm position.



- 3) Turn shower handle counterclockwise approximately 3/4 turn to put valve in hot position.



Care and Cleaning

- 1) Clean finished trim area with a soft cloth using mild soap and water or a non-abrasive cleaner and then quickly rinse with water.

Troubleshooting Chart

Problem	Cause	Solution
Finish is spotting.	Elements in water supply may cause water staining on finish.	Clean finished trim area with a soft cloth using mild soap and water or a non-abrasive cleaner and then quickly rinse with water.