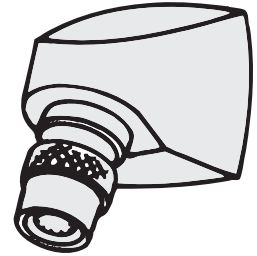


Location:



Fre-Flo Institutional Showerhead, 4-295

Specification Submittal

Model Numbers

- 4-295 Showerhead at 30 degree spray angle with mounting bracket and fasteners

Product Highlights

- Single mode showerhead at 30 degree spray angle
- Adjustable spray pattern
- Vandal resistant
- Standard flow rate is 2.5 gpm (9.5 L/min)
- Polished Chrome finish

Options / Modifications

Append appropriate -suffix to model number.

- 15 15 degree spray angle instead of 30
- OWBJ One way ball joint
- 2.0 2.0 (7.6 L/min) Flow rate restrictor
- 1.5 1.5 (5.7 L/min) Flow rate restrictor
- A Anchor plate for use with ceramic tile
- B Back plate and bolts for extra thick walls

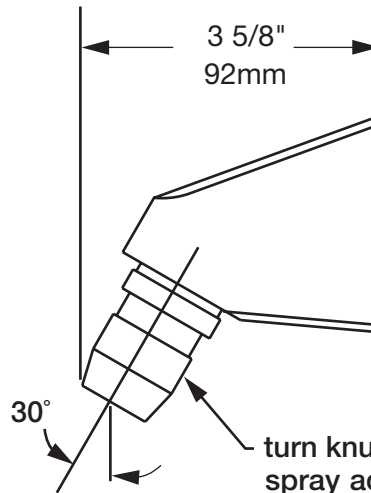
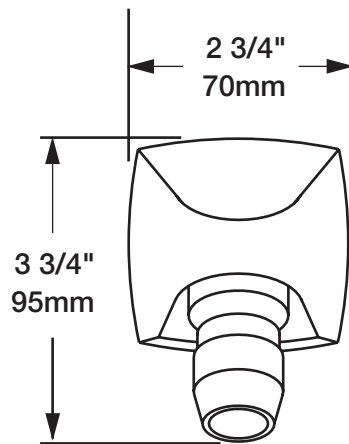
Standards / Certifications

ASME A112.18.1-2005; CSA B125.1

Warranty

- **Limited Lifetime** - to the original end purchaser in residential / consumer installations.
- **5 years** - for commercial installations

Dimensions Showerhead, 4-295



Note: Dimensions subject to change without notice.

Symmons Industries, Inc. ■ 31 Brooks Drive ■ Braintree, MA 02184
 (800) 796-6667, (781) 848-2250 ■ Fax (800) 961-9621
 Website: www.symmons.com ■ Email: customerservice@symmons.com

Copyright © 2015 Symmons Industries, Inc. Printed in U.S.A. ■ 032515

