

**AXOR Universal Accessories**  
**AXOR Universal Toilet Paper Holder**  
 Finishes : **chrome** Part no. : **42836000**



## Description

### Features

- Metal
- Wall-mounted
- Mirror-inverted installation is also possible
- Mounting in combination with a soap dish or shelf and/or rail-mounting possible (requires # 42870XXX Modular Adaptor Set)

## Item details

### Design awards



reddot award 2015  
winner



Focus Open 2015  
Silver



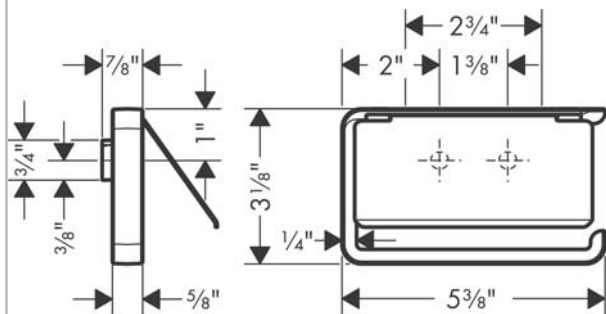
### Compliance



## Product image



## Scale drawing

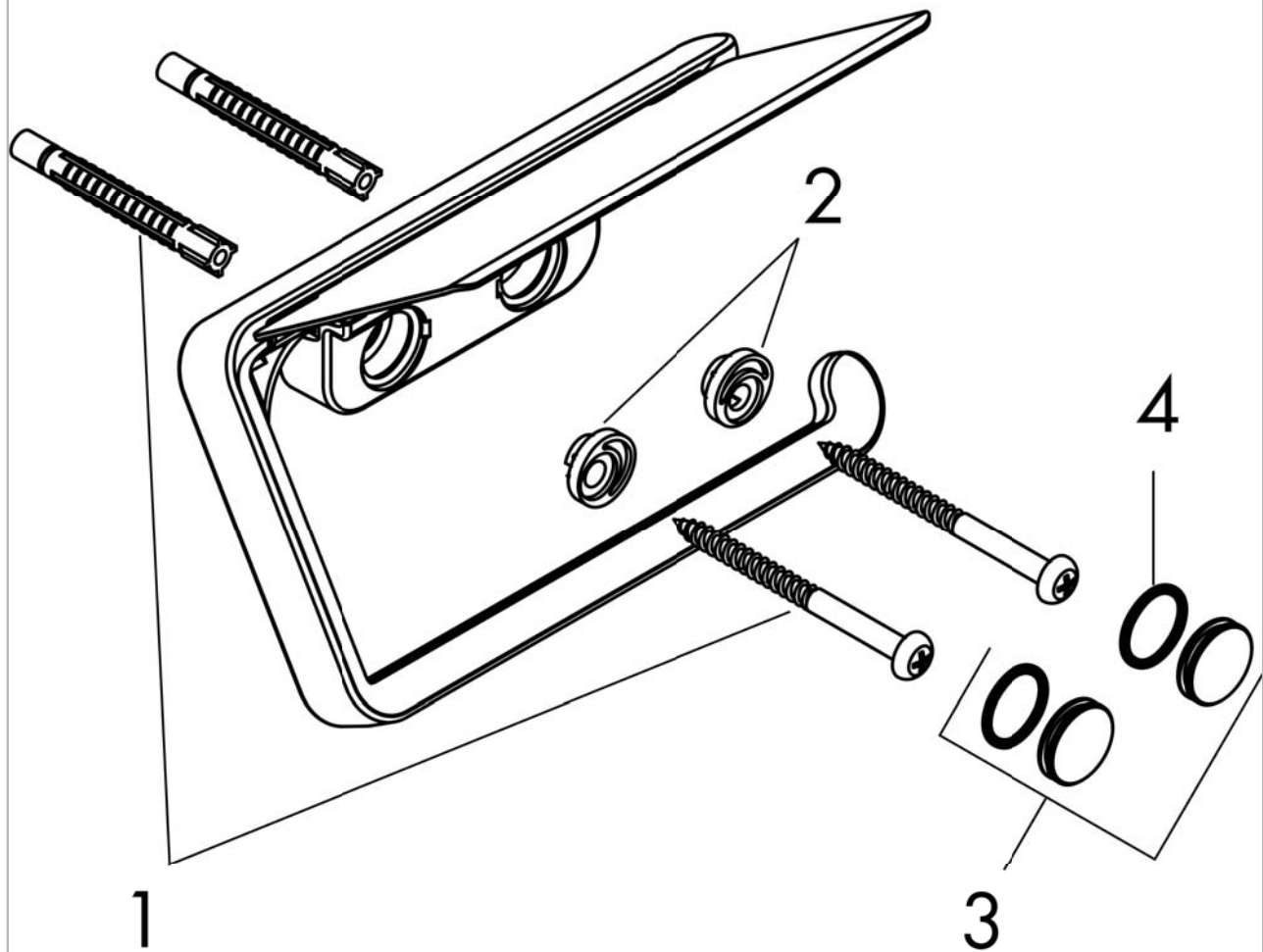


AXOR Universal Accessories  
AXOR Universal Toilet Paper Holder  
Finishes : chrome Part no. : 42836000



## Exploded drawing

Year of production: >11/14



**AXOR Universal Accessories**  
**AXOR Universal Toilet Paper Holder**  
 Finishes : **chrome**    Part no. : **42836000**



## Spare parts list

Year of production: >11/14

Pos.	Description	Part no.	Price	PU
1	mounting set	40915000	-	1
2	excentric socket	97604000	-	1
3	set of covers	92437000	-	1
4	O-ring 13x1,5	98475000	-	1
a	set of adapters	42870000	-	1