

AXOR Universal Accessories
AXOR Universal Tumbler
 Finishes : brushed nickel Part no. : 42834820



Description

Features

- Glass, Metal
- Wall-mounted
- Adaptor set #42870000 must be used when installing on a rail

Item details

Design awards



reddot award 2015
winner



Focus Open 2015
Silver



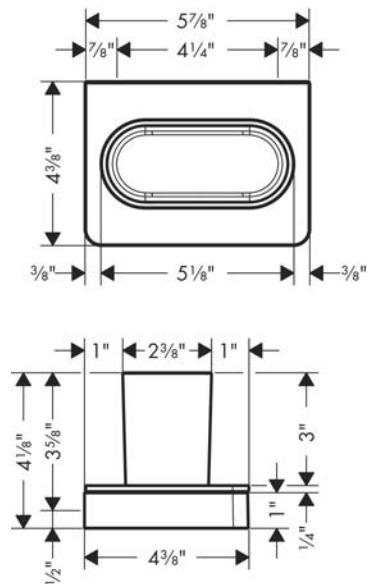
Compliance



Product image



Scale drawing

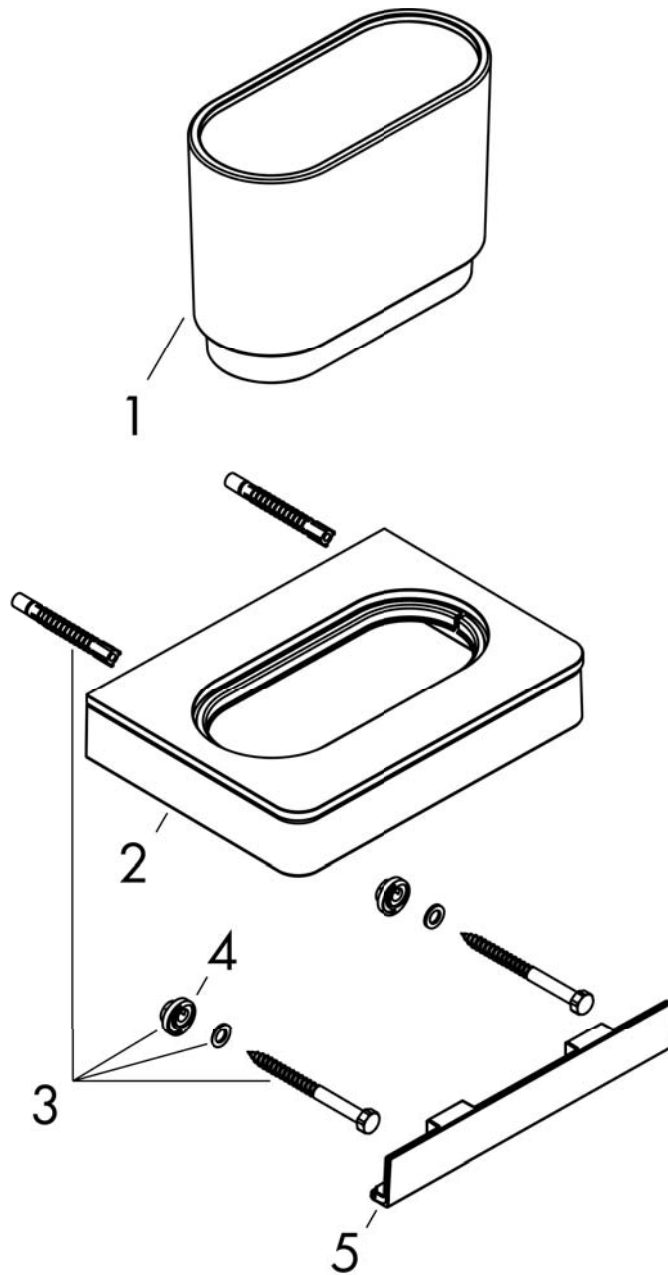


AXOR Universal Accessories
AXOR Universal Tumbler
Finishes : brushed nickel Part no. : 42834820



Exploded drawing

Year of production: >02/16



AXOR Universal Accessories
AXOR Universal Tumbler
 Finishes : **brushed nickel** Part no. : **42834820**



Spare parts list

Year of production: >02/16

Pos.	Description	Part no.	Price	PU
1	tumbler on its own	92436000	-	1
2	support element	92458820	-	1
3	mounting set	92841000	-	1
4	excentric socket	97604000	-	1
5	cover	92427820	-	1
a	mounting kit for two-sided glass montage	42841000	-	1
b	set of adapters	42870000	-	1
c	set of covers	42871820	-	1